

 **FABER**

LEVANTE II

Installation Instructions
Use and Care Information

Instructions d'installation
Utilisez et d'entretien

Instrucciones de instalación
Información de uso y cuidado

LEVT30SS395
LEVT36SS395

CONTENTS

Section	Page
Important safety instructions	3
Range hood dimensions	6
Installation height requirements	7
Parts	8
Tools needed	9
Before installation remove shipping materials	10
Only for canadian market	11
Choose vertical or horizontal electrical connection knockout's	12
Venting method options-ducted or ductless	14
Non ducted recirculation option	15
Ducted - 7" round outlet	16
Ducted - 3 1/4" x 10" rectangular outlet on top	18
Ducted - 3 1/4" x 10" rectangular outlet rear	19
Choosing the mounting method	20
Mounting range hood on wall	21
Mounting range hood under the cabinet	25
Connecting electricity	27
Operating the controls	28
Caring for filters	29
Replacing lighting	31
Wiring diagram	32
Warranty	33

IMPORTANT SAFETY INSTRUCTIONS

READ AND SAVE THESE INSTRUCTIONS BEFORE YOU START INSTALLING THIS RANGE HOOD

WARNING: - TO REDUCE THE RISK OF A RANGE TOP GREASE FIRE:

- a) Never leave surface units unattended at high settings. Boilovers cause smoking and greasy spillovers that may ignite. Heat oils slowly on low or medium setting.
- b) **Always turn hood ON when cooking at high heat or when flambeing food (i.e. Crepes Suzette, Cherries Jubilee, Peppercorn Beef Flambé).**
- c) Clean ventilating fans frequently. Grease should not be allowed to accumulate on fan or filter.
- d) Use proper pan size. Always use cookware appropriate for the size of the surface element.

WARNING: - TO REDUCE THE RISK OF INJURY TO PERSONS IN THE EVENT OF A RANGE TOP GREASE FIRE, OBSERVE THE FOLLOWING*:

- a) **SMOTHER FLAMES** with a close-fitting lid, cookie sheet, or metal tray, then turn off the burner. **BE CAREFUL TO PREVENT BURNS.** If the flames do not go out immediately **EVACUATE AND CALL THE FIRE DEPARTMENT.**
- b) **NEVER PICK UP A FLAMING PAN** - You may be burned.
- c) **DO NOT USE WATER**, including wet dishcloths or towels - a violent steam explosion will result.
- d) Use an extinguisher **ONLY** if:
 1. You know you have a Class ABC extinguisher, and you already know how to operate it.
 2. The fire is small and contained in the area where it started.
 3. The fire department is being called.
 4. You can fight the fire with your back to an exit.

* Based on "Kitchen Firesafety Tips" published by NFPA

WARNING - TO REDUCE THE RISK OF FIRE OR ELECTRIC SHOCK, do not use this fan with any solid-state speed control device.

WARNING - TO REDUCE THE RISK OF FIRE, ELECTRICAL SHOCK, OR INJURY TO PERSONS, OBSERVE THE FOLLOWING:

1. Use this unit only in the manner intended by the manufacturer. If you have any questions, contact the manufacturer.
2. Before servicing or cleaning unit, switch power off at service panel and lock the service disconnecting means to prevent power from being switched on accidentally. When the service disconnecting means cannot be locked, securely fasten a prominent warning device, such as a tag, to the service panel.

CAUTION: For General Ventilating Use Only. Do Not Use To Exhaust Hazardous or Explosive Materials and Vapors.

WARNING - TO REDUCE THE RISK OF FIRE, ELECTRICAL SHOCK, OR INJURY TO PERSONS, OBSERVE THE FOLLOWING:

1. **Installation Work And Electrical Wiring Must Be Done By Qualified Person(s) In Accordance With All Applicable Codes And Standards, Including Fire-Rated Construction.**
2. **Sufficient air is needed for proper combustion and exhausting of gases through the flue (chimney) of fuel burning equipment to prevent backdrafting. Follow the heating equipment manufacturer's guideline and safety standards such as those published by the National Fire Protection Association (NFPA), and the American Society for Heating, Refrigeration and Air Conditioning Engineers (ASHRAE), and the local code authorities.**

3. **When cutting or drilling into wall or ceiling, do not damage electrical wiring and other hidden utilities.**
4. **Ducted fans must always be vented to the outdoors.**

ALL WALL AND FLOOR OPENINGS WHERE THE RANGE HOOD IS INSTALLED
MUST BE SEALED.

This Range Hood requires at least 24" of clearance between the bottom of the Range Hood and the cooking surface or countertop. This hood has been approved by UL at this distance from the cooktop.

This minimum clearance may be higher depending on local building codes. For gas cooktops and combination ranges, a minimum of 30" is recommended and may be required.

Overhead cabinets on both sides of this unit must be a minimum of 18" above the cooking surface or countertop. Consult the cooktop or range installation instructions given by the manufacturer before making any cutouts.

MOBILE HOME INSTALLATION The installation of this Range Hood must conform to the Manufactured Home Construction and Safety Standards, Title 24 CFR, Part 3280 (formerly Federal Standard for Mobile Home Construction and Safety, Title 24, HUD, Part 280). See "Electrical Requirements"

VENTING REQUIREMENTS

Determine which venting method is best for your application. Ductwork can extend either through the wall or the roof.

The length of the ductwork and the number of elbows should be kept to a minimum to provide efficient performance. The size of the ductwork should be uniform. Do not install two elbows together. Use duct tape to seal all joints in the ductwork system. Use caulking to seal exterior wall or floor opening around the cap.

Flexible ductwork is not recommended. Flexible ductwork creates back pressure and air turbulence that greatly reduces performance.

Make sure there is proper clearance within the wall or floor for exhaust duct before making cutouts. Do not cut a joist or stud unless absolutely necessary. If a joist or stud must be cut, then a supporting frame must be constructed.

WARNING - To Reduce The Risk Of Fire, Use Only Metal Ductwork.

CAUTION - To reduce risk of fire and to properly exhaust air, be sure to duct air outside – Do not vent exhaust air into spaces within walls or ceilings or into attics, crawl spaces, or garages.

Cold Weather installations

An additional back draft damper should be installed to minimize backward cold air flow and a non-metallic thermal break should be installed to minimize conduction of outside temperatures as part of the vent system. The damper should be on the cold air side of the thermal break. The break should be as close as possible to where the vent system enters the heated portion of the house.



WARNING

- Venting system **MUST** terminate outside the home.
- **DO NOT** terminate the ductwork in an attic or other enclosed space.
- **DO NOT** use 4" laundry-type wall caps.
- Flexible-type ductwork is not recommended.
- **DO NOT** obstruct the flow of combustion and ventilation air.
- Failure to follow venting requirements may result in a fire.

ELECTRICAL REQUIREMENTS

A 120 volt, 60 Hz AC-only electrical supply is required on a separate 15 amp fused circuit. A time-delay fuse or circuit breaker is recommended. The fuse must be sized per local codes in accordance with the electrical rating of this unit as specified on the serial/rating plate located inside the unit near the field wiring compartment.

ELECTRICAL INSTALLATION WITH WIRING BOX

THIS UNIT MUST BE CONNECTED WITH COPPER WIRE ONLY. Wire sizes must conform to the requirements of the National Electrical Code, ANSI/NFPA 70 - latest edition, and all local codes and ordinances. Wire size and connections must conform with the rating of the appliance. Copies of the standard listed above may be obtained from:

National Fire Protection Association
Batterymarch Park
Quincy, Massachusetts 02269

This appliance should be connected directly to the fused disconnect (or circuit breaker) through flexible, armored or nonmetallic sheathed copper cable. Allow some slack in the cable so the appliance can be moved if servicing is ever necessary. A UL Listed, 1/2" conduit connector must be provided at each end of the power supply cable (at the appliance and at the junction box).

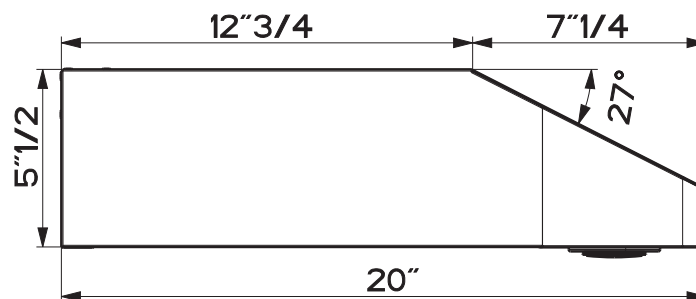
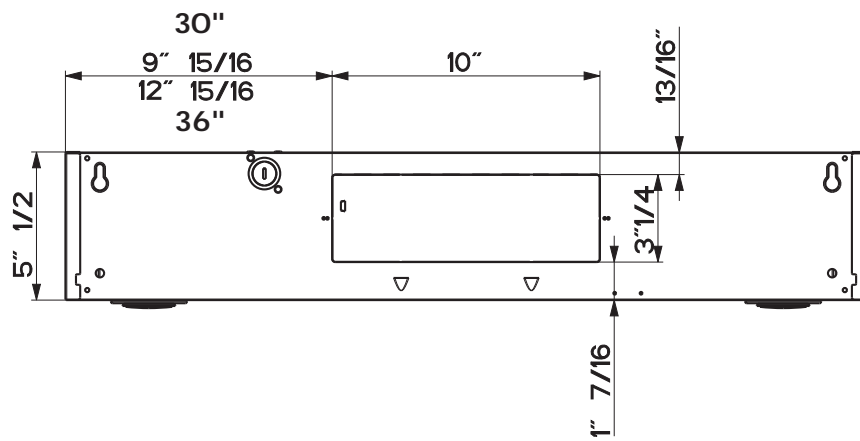
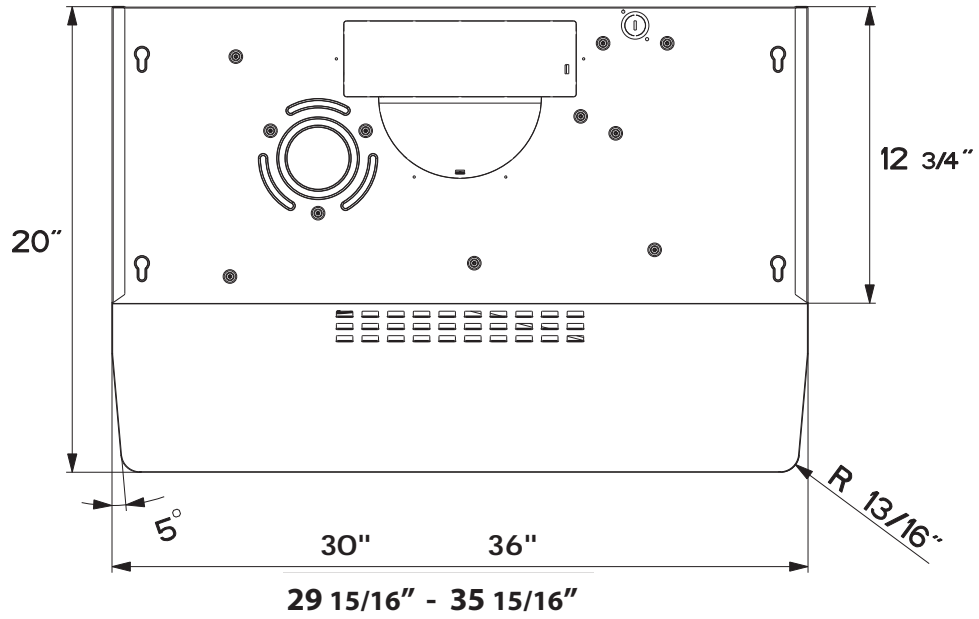
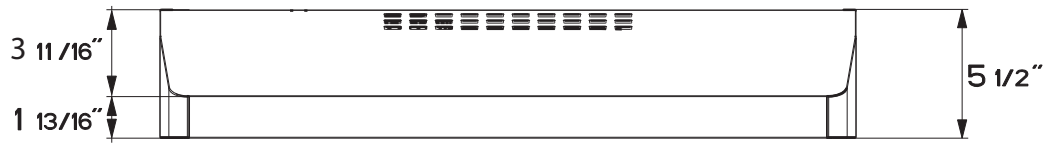
When making the electrical connection, cut a 1 1/4" hole in the wall. A hole cut through wood must be sanded until smooth. A hole through metal must have a grommet.



WARNING

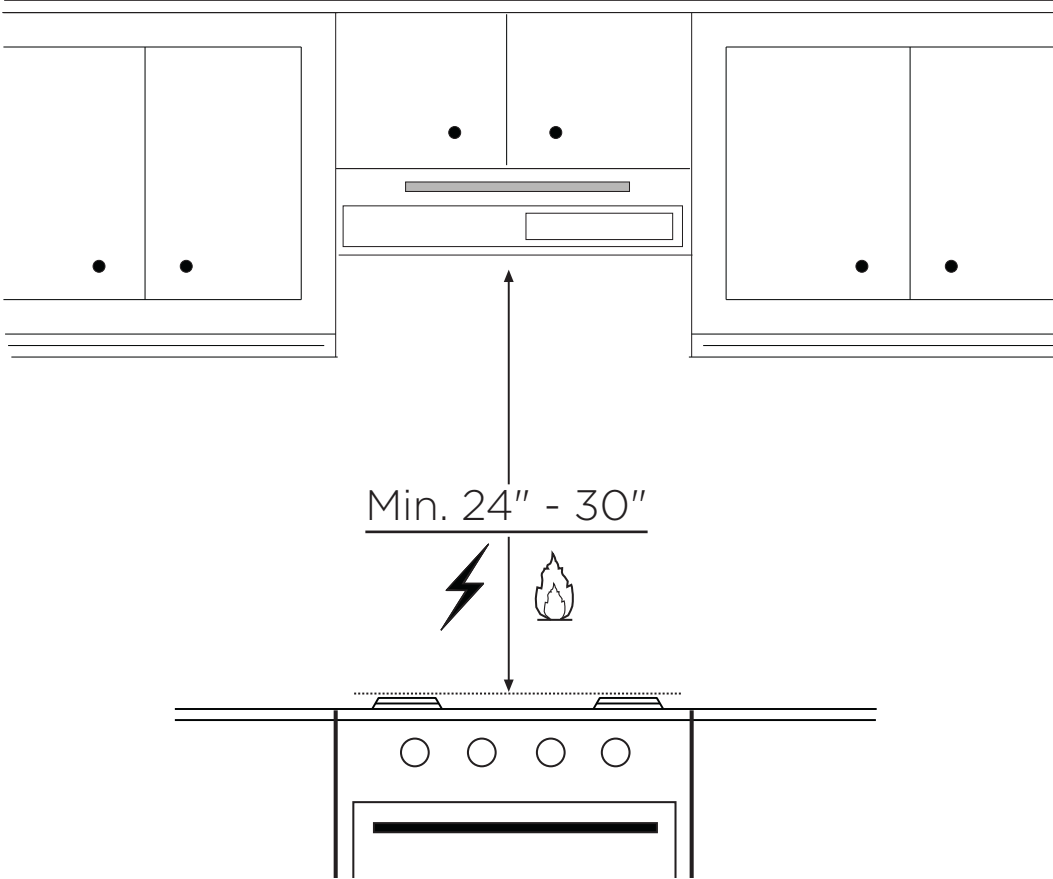
- Electrical ground is required on this Range Hood.
- If cold water pipe is interrupted by plastic, nonmetallic gaskets or other materials, DO NOT use for grounding.
- DO NOT ground to a gas pipe.
- DO NOT have a fuse in the neutral or grounding circuit. A fuse in the neutral or grounding circuit could result in electrical shock.
- Check with a qualified electrician if you are in doubt as to whether the Range Hood is properly grounded.
- Failure to follow electrical requirements may result in a fire.

RANGE HOOD DIMENSIONS






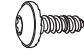
INSTALLATION HEIGHT REQUIREMENTS

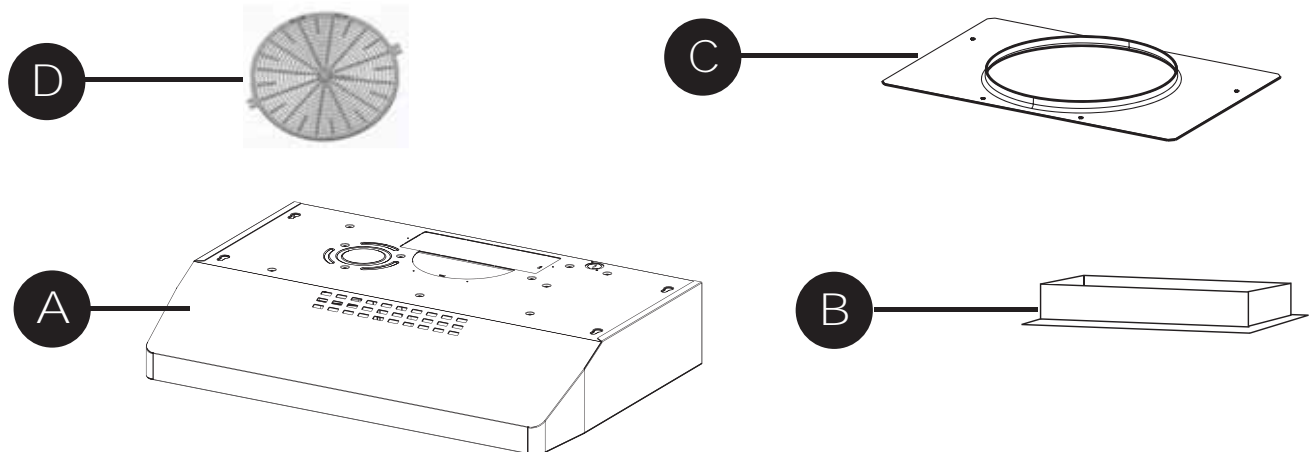
MIN. 24" OVER ELECTRIC / MIN. 30" OVER GAS



PARTS

PARTS INCLUDED

REF.	PART	
A	Hood body – Includes Controls, Light, Filters, Blower	1
B	Damper (3 1/4" x 10")	1
C	7" Round Flange	1
D	Grid (Only for Canadian Market)	1
REF	PART	
E	Pozi Screws (3/16" x 1 15/16")	  4
F	Torx Screws (1/8" x 3/8")	  4



Available Accessories

Activated Charcoal Filter (**FILTER5**)


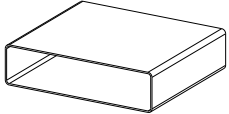


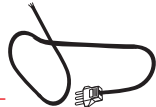

Note: The Charcoal Filter is attached with two screws
(See page 15 and Figure C).
The Charcoal Filters must be purchased with only Faber
authorized dealers.



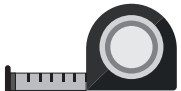

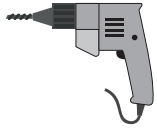

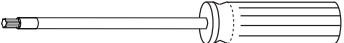
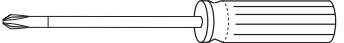
Wireless Remote Control-**REMCTRL2**

PARTS (cont.)

PARTS NEEDED

PART	
7" Round Metal Ductwork	
3 1/4" x 10" Rectangular Ductwork	
7" Damper	
Wire connectors.	
Power Supply Cable.	
Drywall plugs or other suitable wall fasteners based on your installation.	
Wall Cap/Roof Cap Needs to be purchased separately	

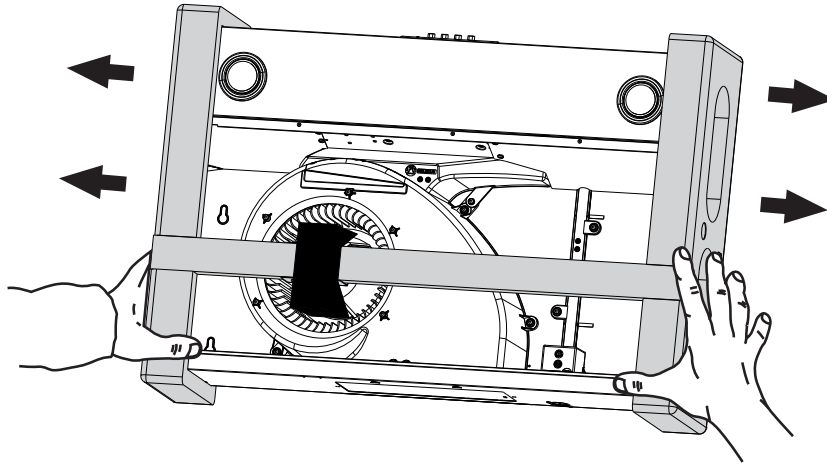
TOOLS NEEDED

TOOL	
Tape Measure	
Pencil	
Electric Drill with 5/16" Drill Bit	
Phillips Screwdriver	
Torx Screwdriver	
Pozi Screwdriver	

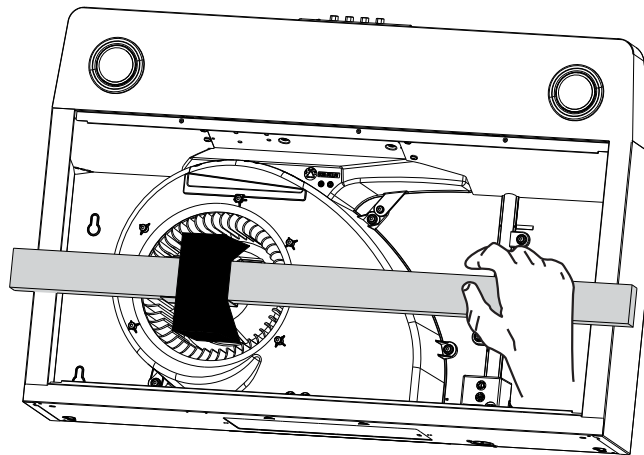
BEFORE INSTALLATION REMOVE SHIPPING MATERIALS

- 1 Remove the side packaging.

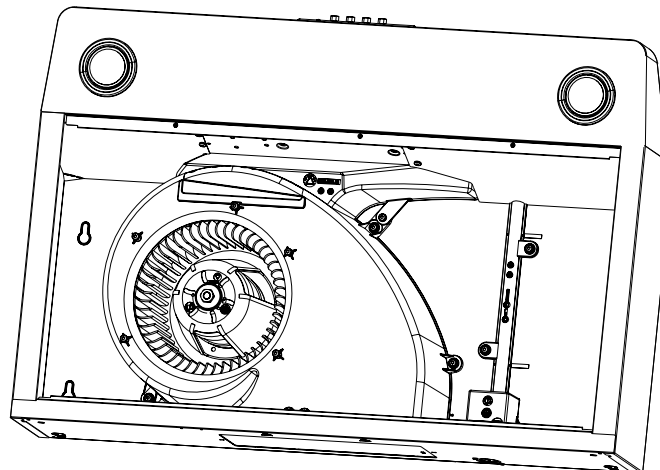
Caution: Do not pick up hood using the wood bar



- 2 Remove the foam packaging and wood bar.



- 3 Ready for Installation.



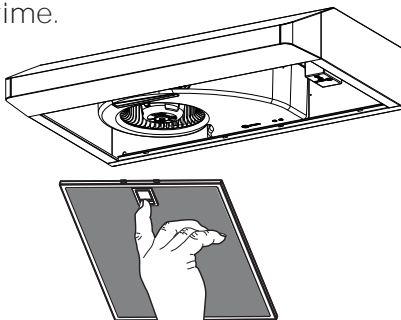


ONLY FOR CANADIAN MARKET

1

For ducted installations only:

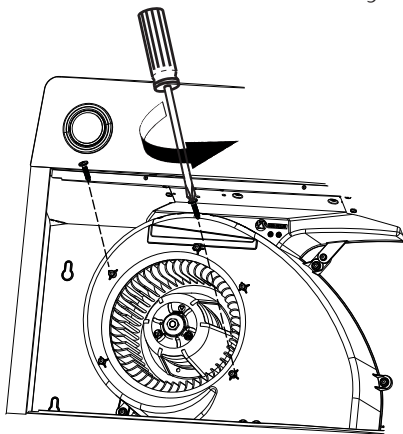
Remove the filters one at a time by pushing towards the back of the hood and pulling down at the same time.



2

Remove the screws as pictured.

Remove two of the screws from the motor assembly housing as pictured.

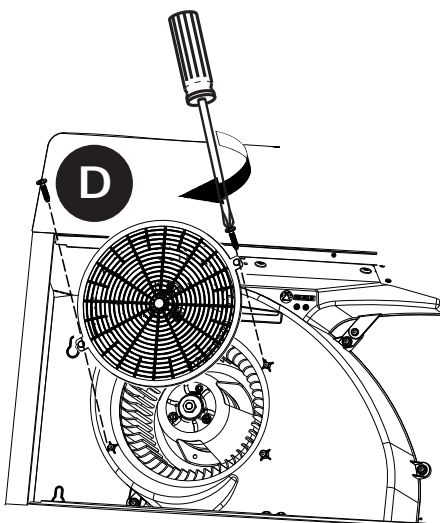


3

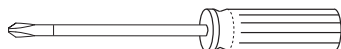
Install the screws as pictured.

Install Grid **D** with the two screws removed from step 2. Screw the protection grid into the location shown in the picture below. (The correct location has a rectangular cut out to accommodate the grid.)

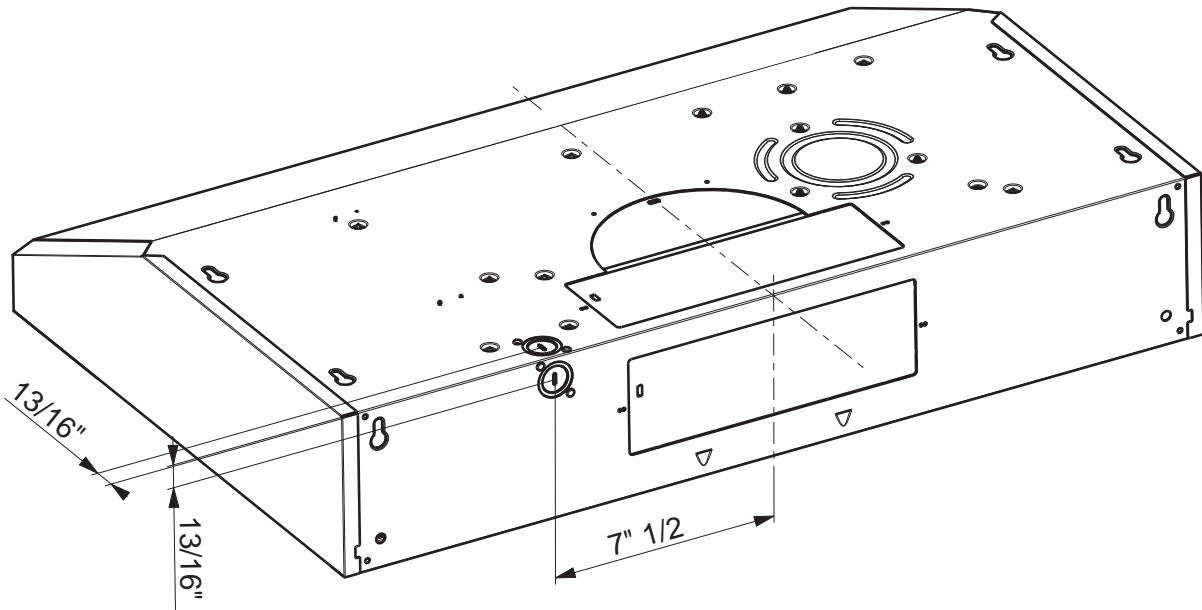
Take care to screw the grid completely flush to avoid unwanted noise.



Phillips Screwdriver

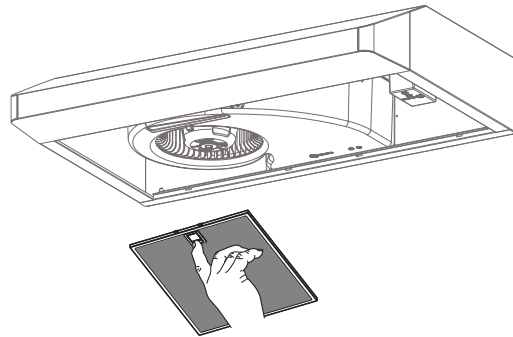


CHOOSE VERTICAL OR HORIZONTAL ELECTRICAL CONNECTION KNOCKOUT'S

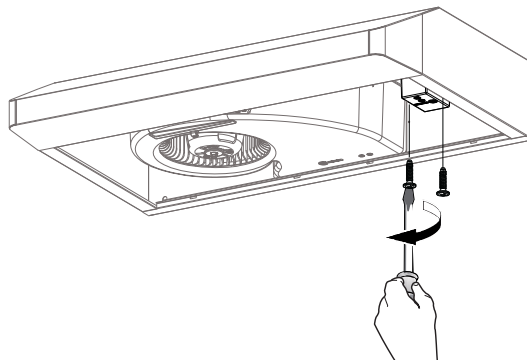


Preparing the hood for electrical knockouts

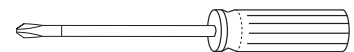
- 1 Remove the filters one at a time by pushing them towards the back of the hood and pulling down at the same time.



- 2 Remove the wiring box cover by unscrewing the 2 screws.



Phillips Screwdriver

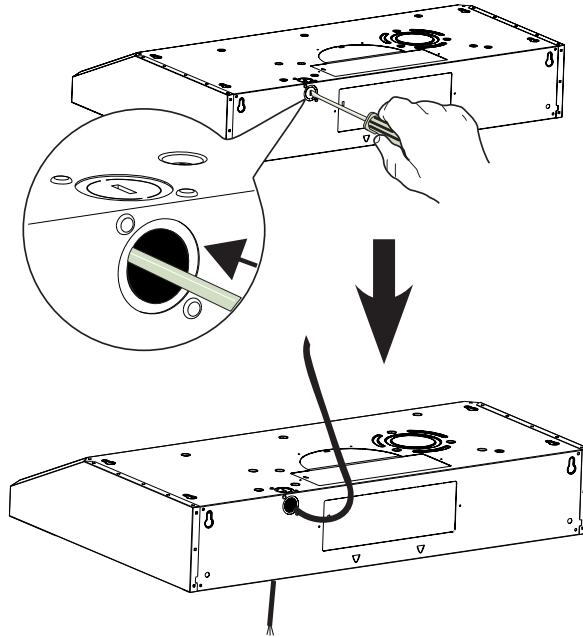


3

Rear Hole (Horizontal)

Choose the rear hole for the electric connection and break with a screwdriver or other tool.

During the installation thread Power Supply Cable through this hole.

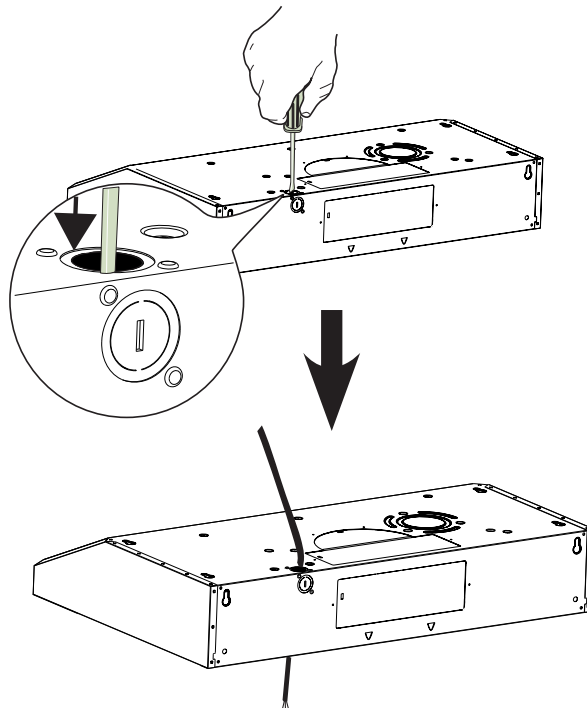


4

Top Hole (Vertical)

Choose the top hole for the electric connection and break with a screwdriver or other tool.

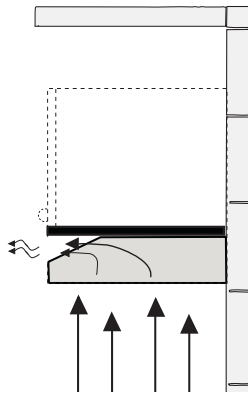
During the installation thread Power Supply Cable through this hole.



VENTING METHOD OPTIONS-DUCTED OR DUCTLESS

NON DUCTED - RECIRCULATION OPTION

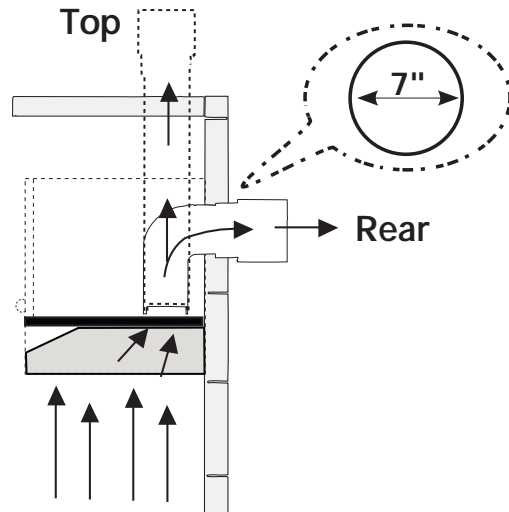
Requires purchase of Activated Charcoal Accessory



Go to page 15

DUCTED WITH 7" ROUND OUTLET:

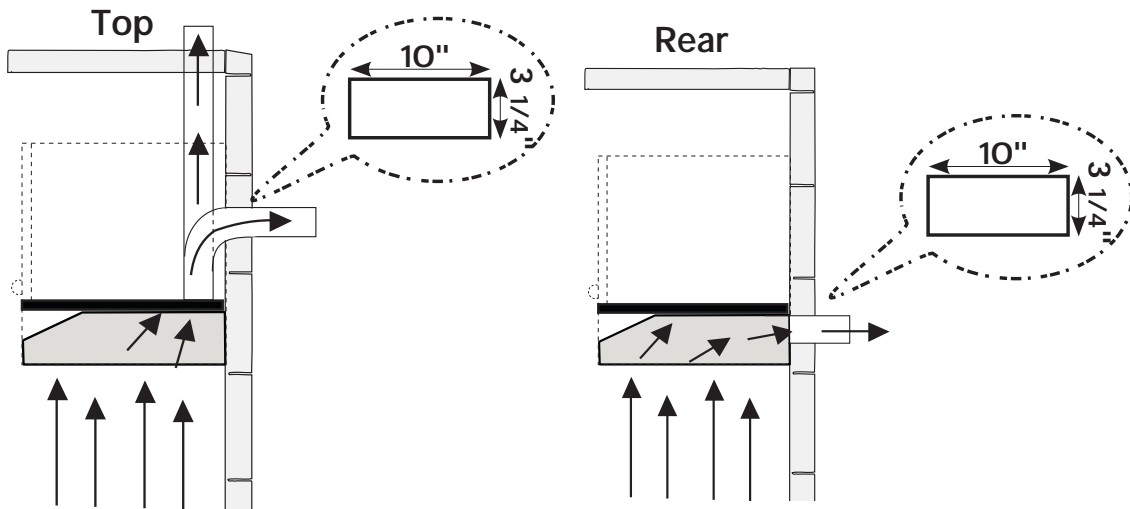
- Vertical
- Horizontal



Go to page 16

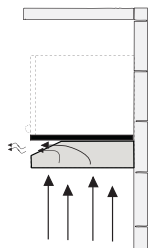
DUCTED WITH 3 1/4" X 10" RECTANGULAR OUTLET

- Vertical
- Horizontal

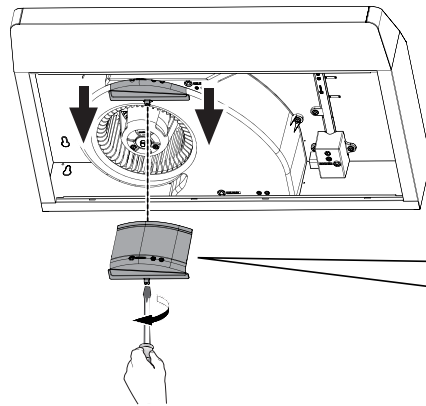


Go to page 18

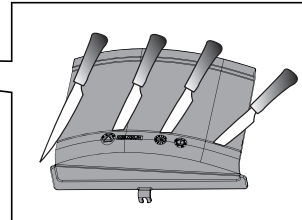
NON DUCTED RECIRCULATION OPTION



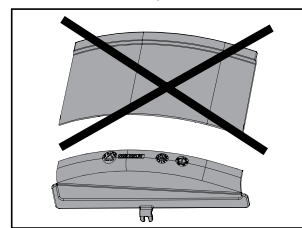
a



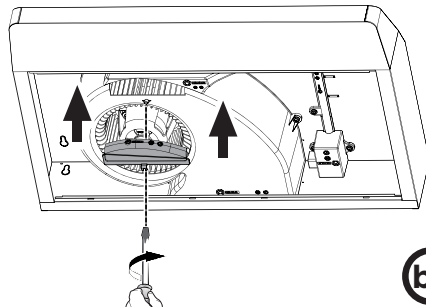
Remove the indicated blower cover (do not discard the screw).



b1 Cut the cover where indicated in picture b1.



b2 Discard / Recycle upper pieces of blower cover.



b3

Reinstall the modified blower cover with the same screw.

Required Activated Charcoal Filter Accessory - (FILTER5) purchased separately.

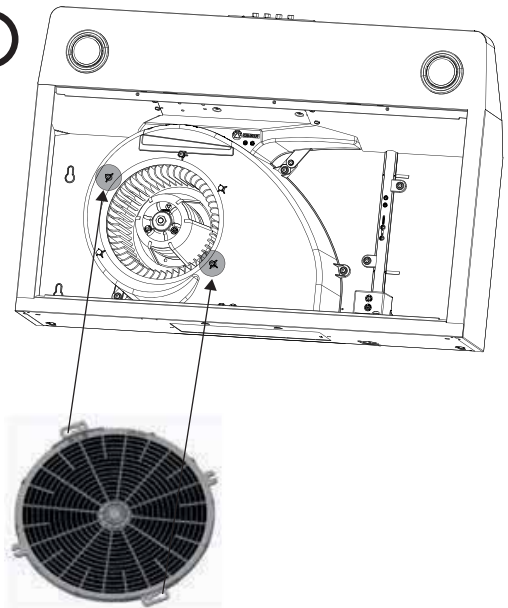


Non Ducted installations only:

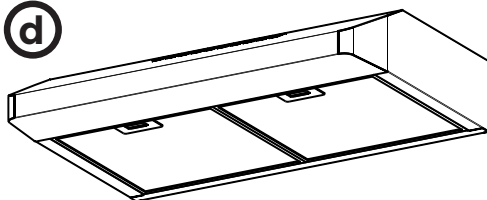
1. Remove the two screws located on the motor housing in the location indicated.
2. Place the charcoal filter with the tabs against the blower housing in the location indicated on figure **c**. The front side of the FILTER5 will have the keyhole mounting on the top surface of the filter. A layer of charcoal will be visible through the grills.
3. Use the two screws removed earlier to attach the FILTER5 in place.

NOTE: For Non ducted installations the Canadian Grid should NOT be used.

c



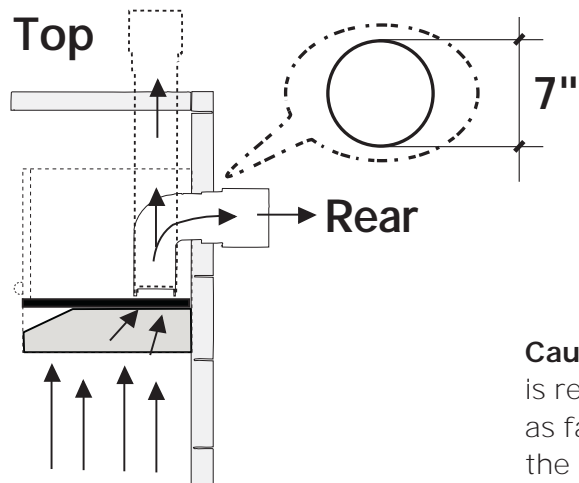
d



Reinstall the existing Grease Filters after installing the Activated Charcoal Filter before operating hood.

Go to page 20

DUCTED - 7" ROUND OUTLET



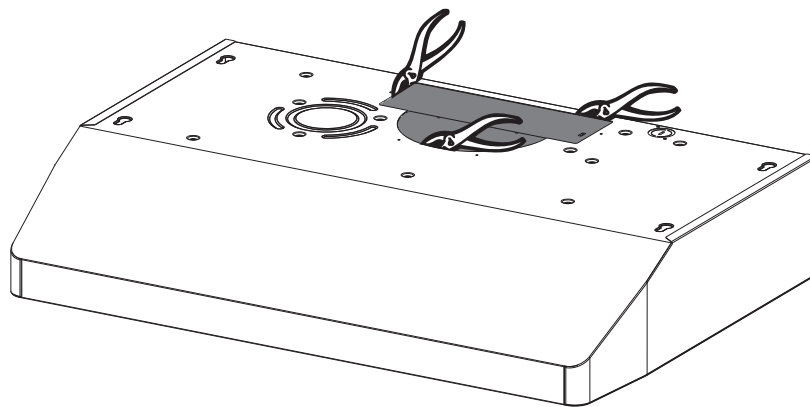
Caution: If an elbow is required, do it as far away from the hood's exhaust opening as possible.

Required; 7" Round Damper purchase separately.



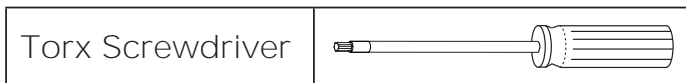
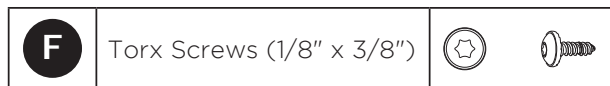
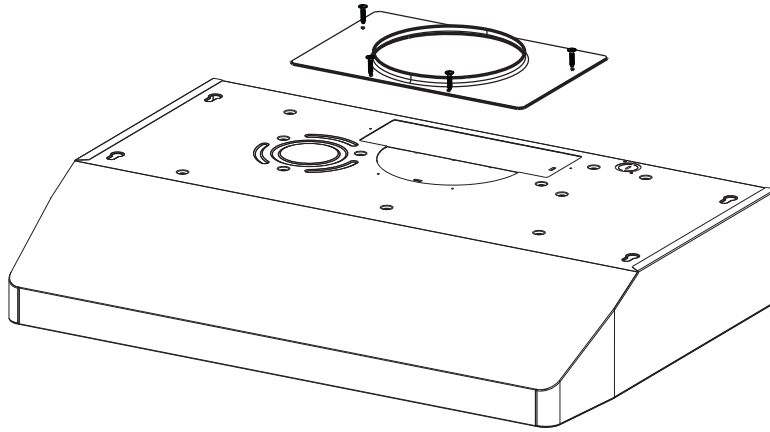
1

Cut where indicated.
Remove both the rectangular and semicircle areas with metal shears.

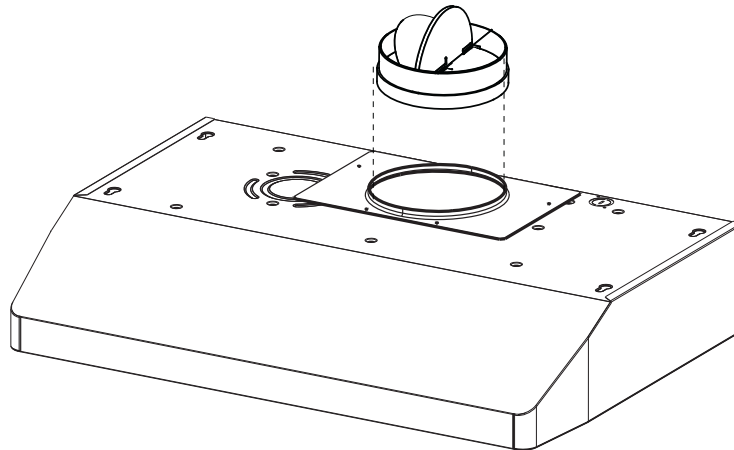


2 Install the Flange with Flange transition screws **F**.

NOTE: The Flange must be mounted with the lip facing upward.
Only use the screws provided for the flange

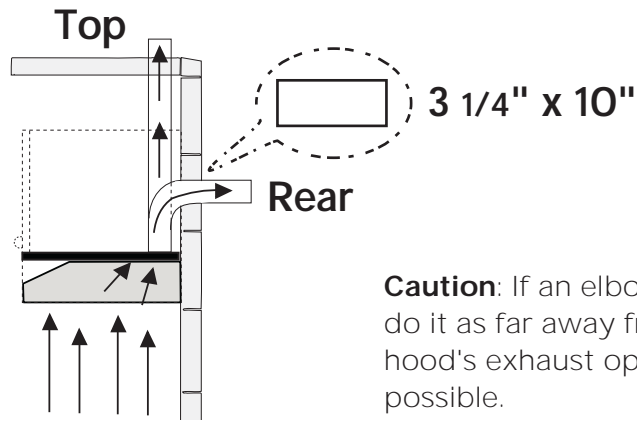


3 Install 7" Round Damper purchased separately. Secure damper with foil duct tape.



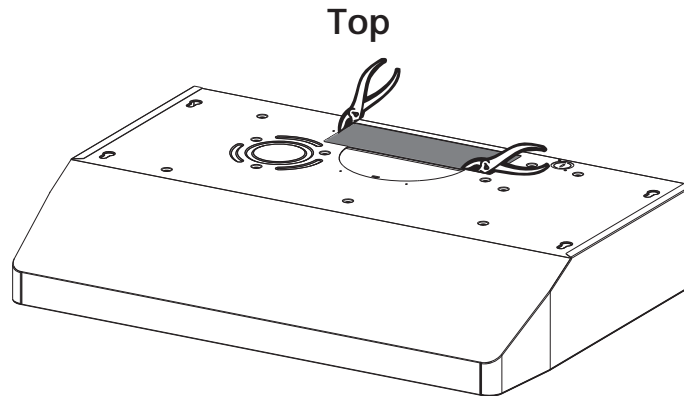
4 Connect the 7" Round Metal Ductwork to the Roof or Wall Cap purchased separately and then attach ductwork.

DUCTED - 3 1/4" X 10" RECTANGULAR OUTLET ON TOP

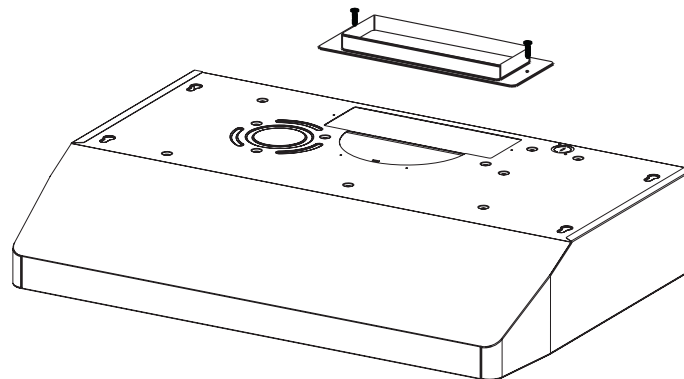


Caution: If an elbow is required, do it as far away from the hood's exhaust opening as possible.

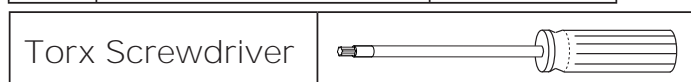
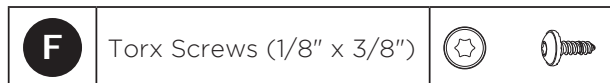
- 1 Choose the rectangular upper air outlet or rectangular rear air outlet and cut where indicated. (See page 18 for Rear Outlet)



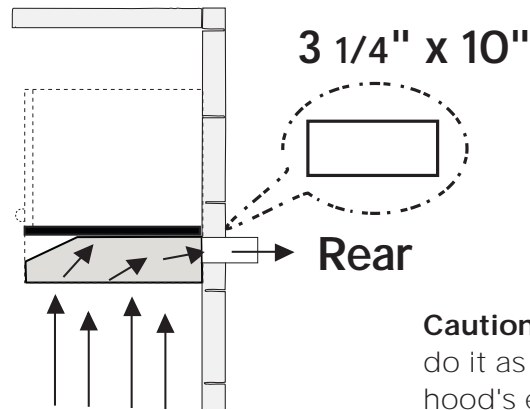
- 2 Install the included rectangular air outlet with two screws **F**.



- 3 Connect the metal ductwork to the Roof or Wall Cap purchased separately and then attach ductwork.



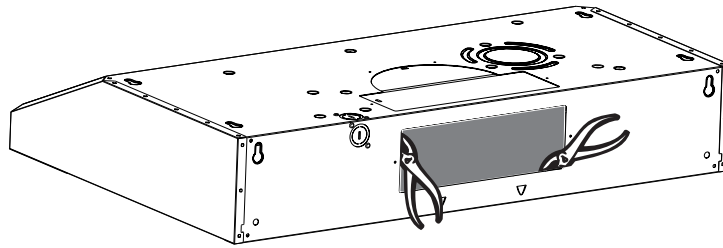
DUCTED - 3 1/4" X 10" RECTANGULAR OUTLET REAR



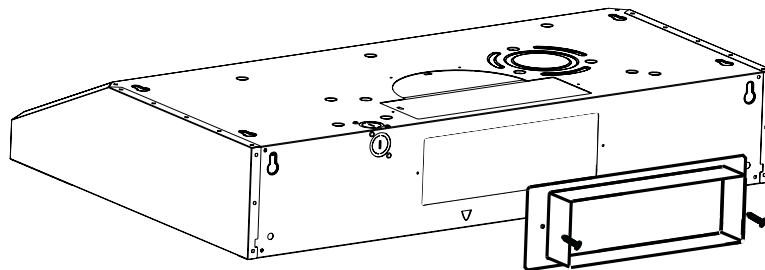
Caution: If an elbow is required, do it as far away from the hood's exhaust opening as possible.

- 1 Use the rear air outlet and cut where indicated.



Rear

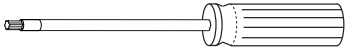


- 2 Install the included rectangular air outlet with two screws **F**.



- 3 Connect the metal ductwork to the Roof or Wall Cap purchased separately and then attach ductwork.

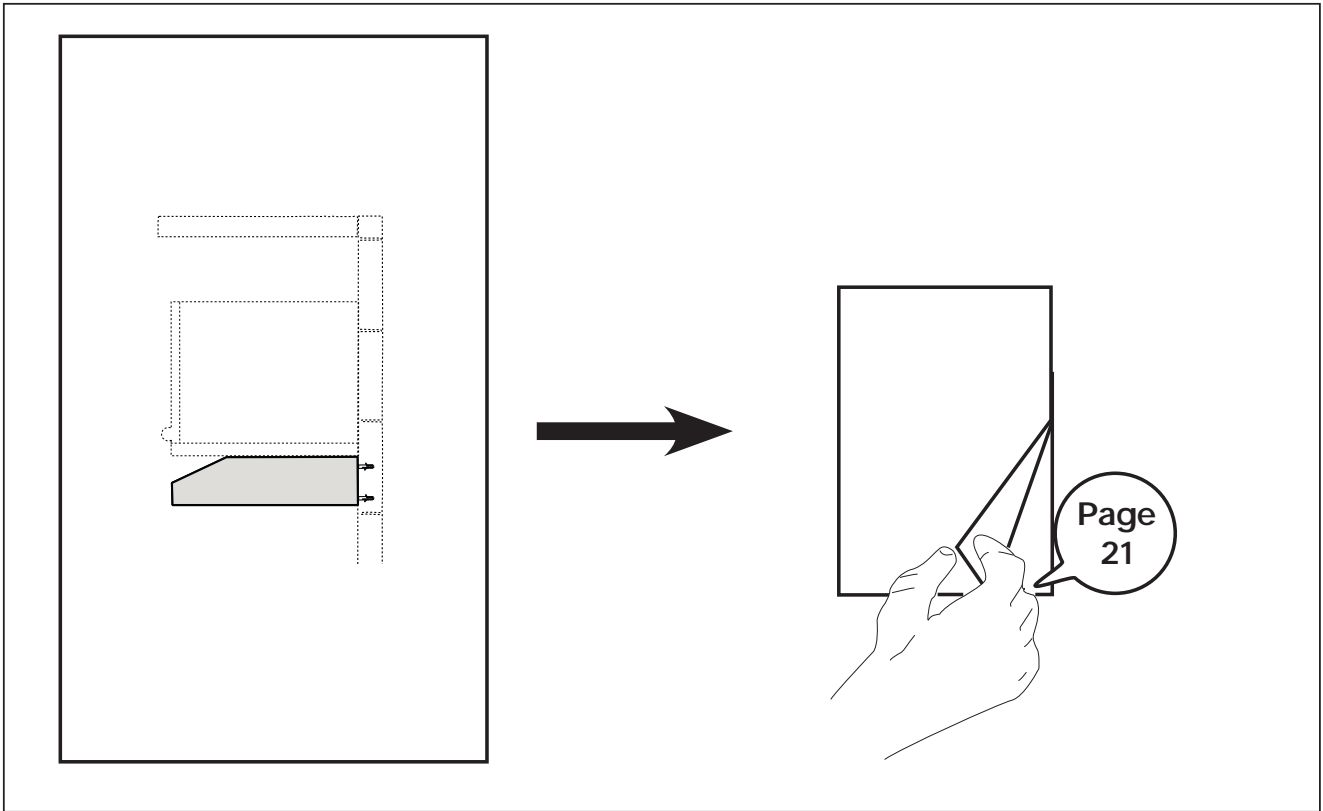
F	Torx Screws (1/8" x 3/8")		
----------	---------------------------	---	---

Torx Screwdriver	
------------------	---

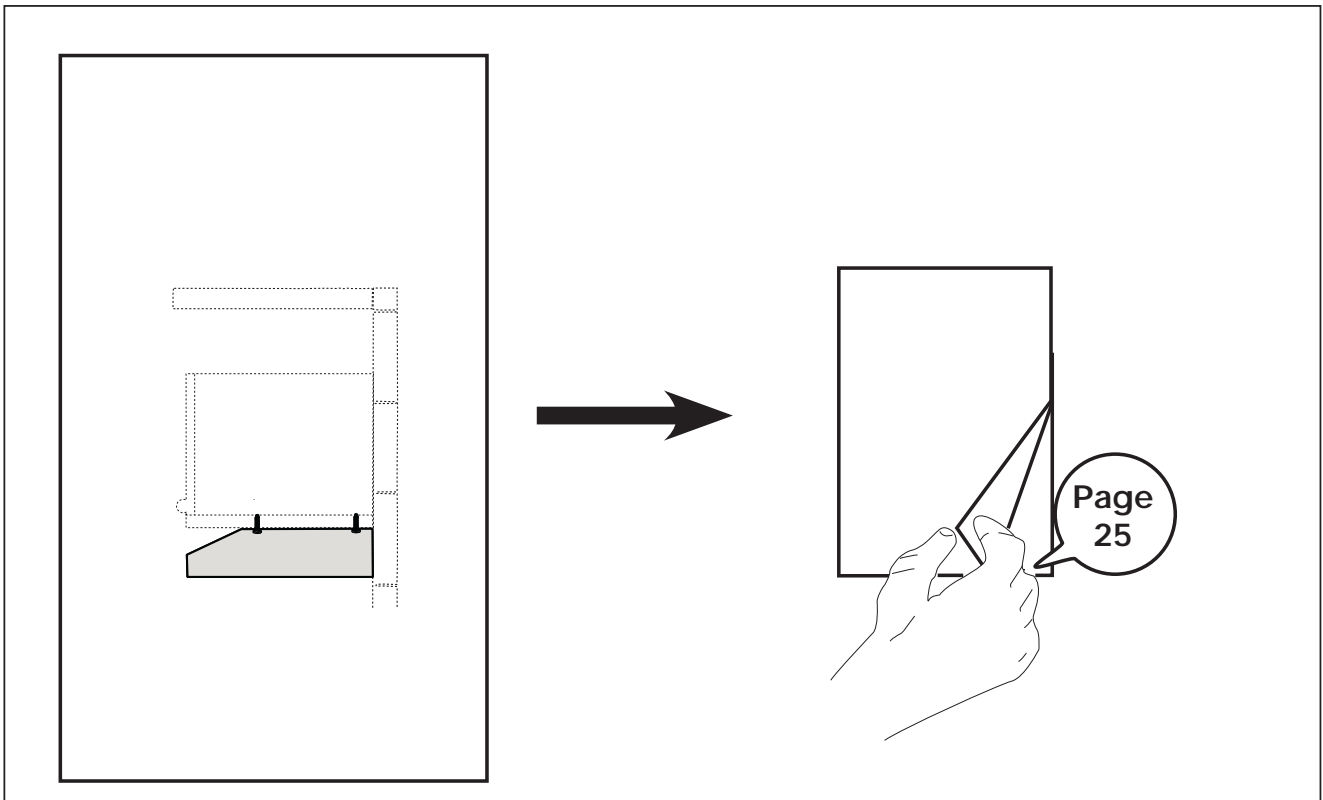
Go to page 20

CHOOSING THE MOUNTING METHOD

Installation for Mounting on the Wall



Installation for Mounting to the cabinet

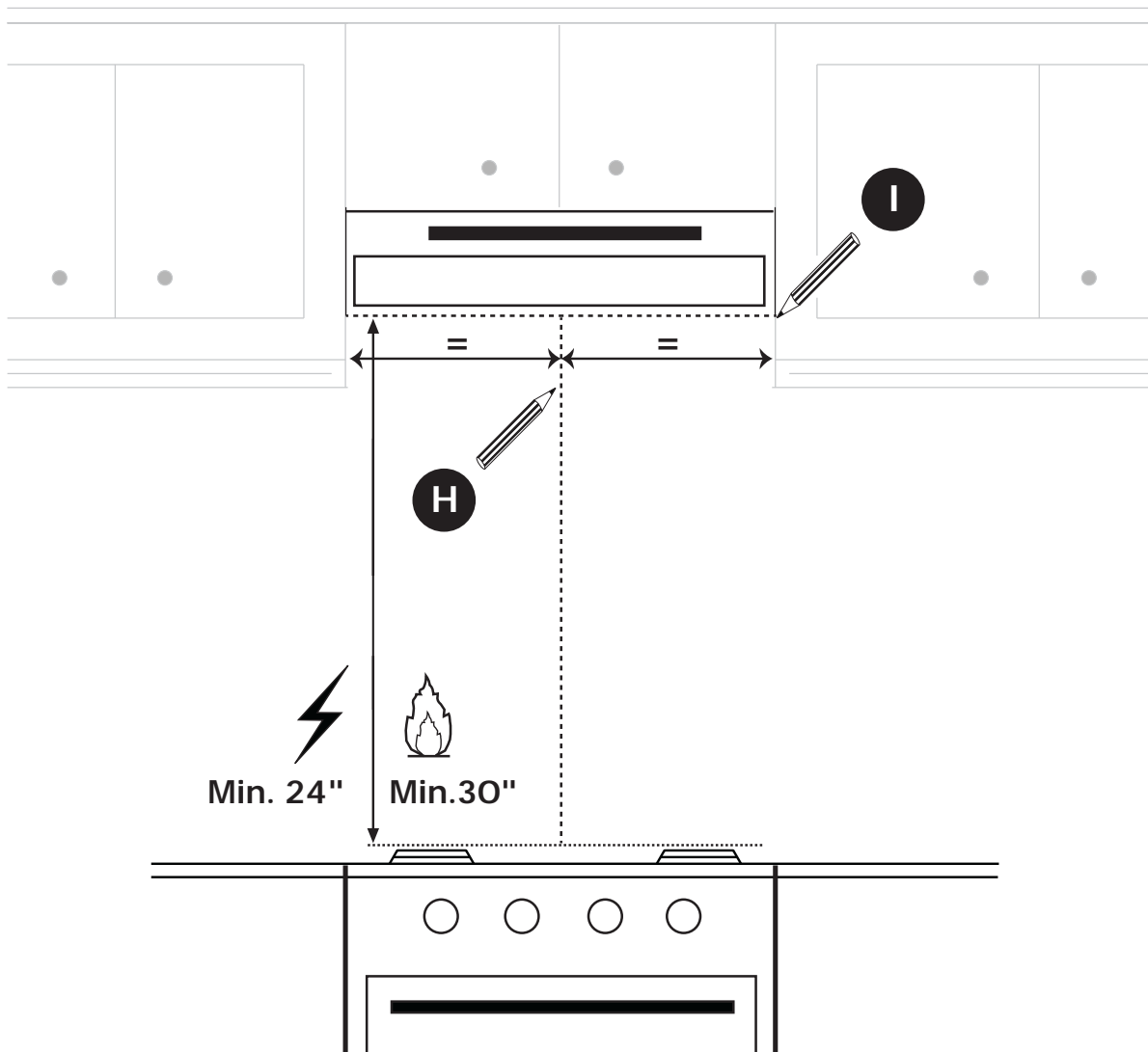


MOUNTING RANGE HOOD ON WALL

1 DRAW POSITIONING LINES

Draw a vertical line **H** from the supporting back wall to the ceiling or upper limit, at the center of the area in which the hood will be installed.

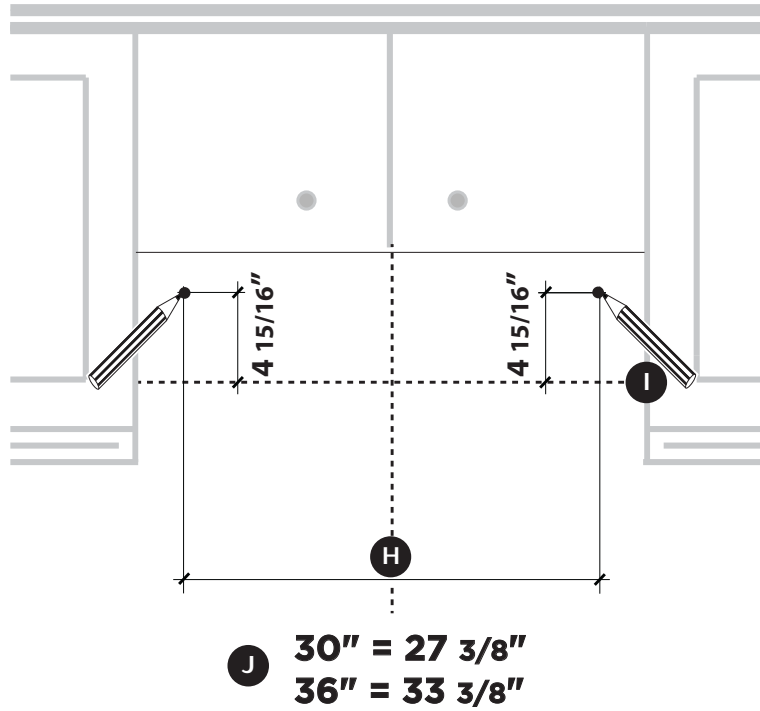
Draw a horizontal line **I** from where the bottom edge of hood will be located, to a minimum of 24" above an electric cooking surface and 30" above a gas cooking surface.



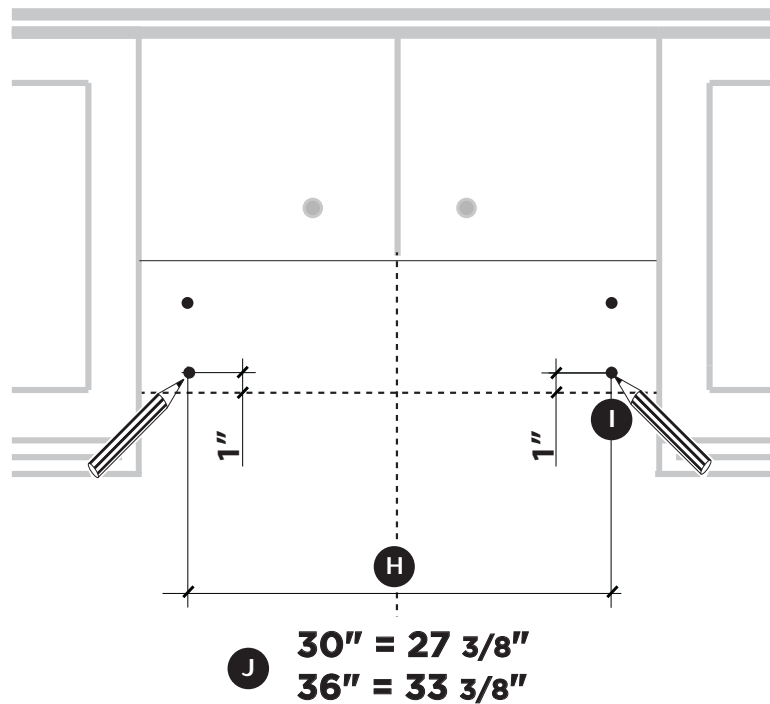
MIN. 24" OVER ELECTRIC/MIN. 30" OVER GAS

MOUNTING RANGE HOOD ON WALL

- 2** Mark the wall for the upper anchors.
Mark the wall where indicated $4 \frac{15}{16}$ " above the horizontal **I** line at **J** distance on the left and right of the vertical line **H**.

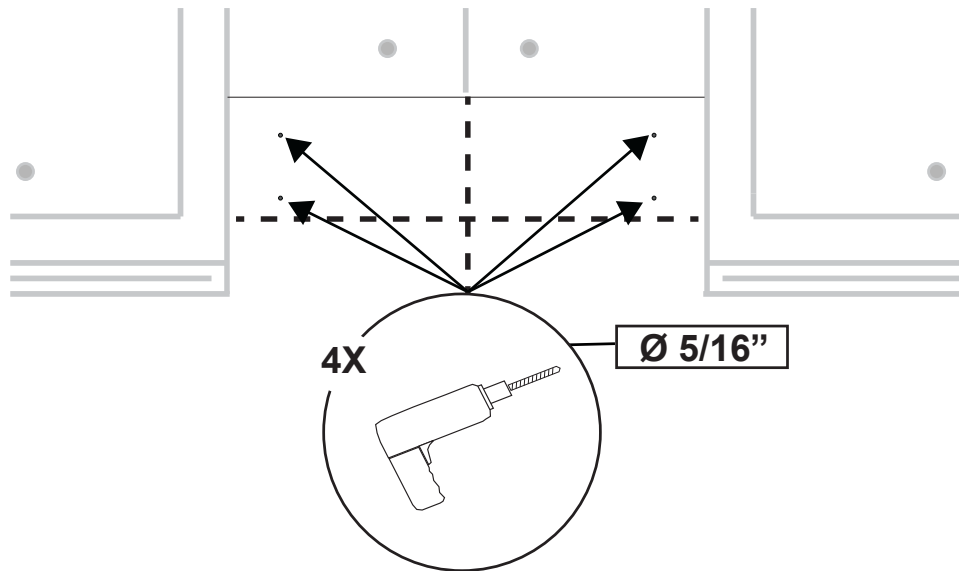


- 3** Mark the wall for lower anchors.
Mark 1" below the Step 2. Upper Anchors. Take care to keep level.

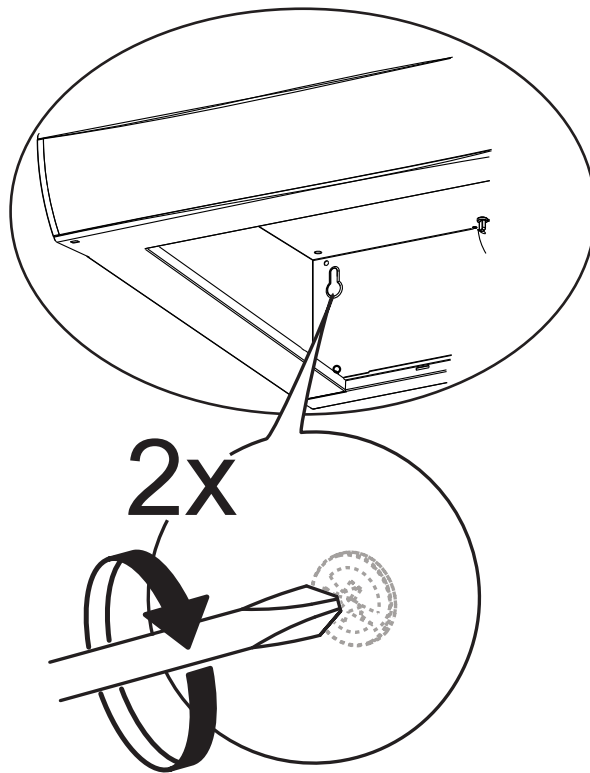




MOUNTING RANGE HOOD ON WALL

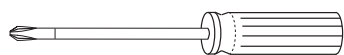
- 4** Drill a 3/16th hole directly into the wall at the center points marked in step 3. If fastener locations do not align with the studs, insert the purchased wall plugs in the holes.



- 5** In upper holes use two of the supplied screws **E** to secure the hood body to the wall.

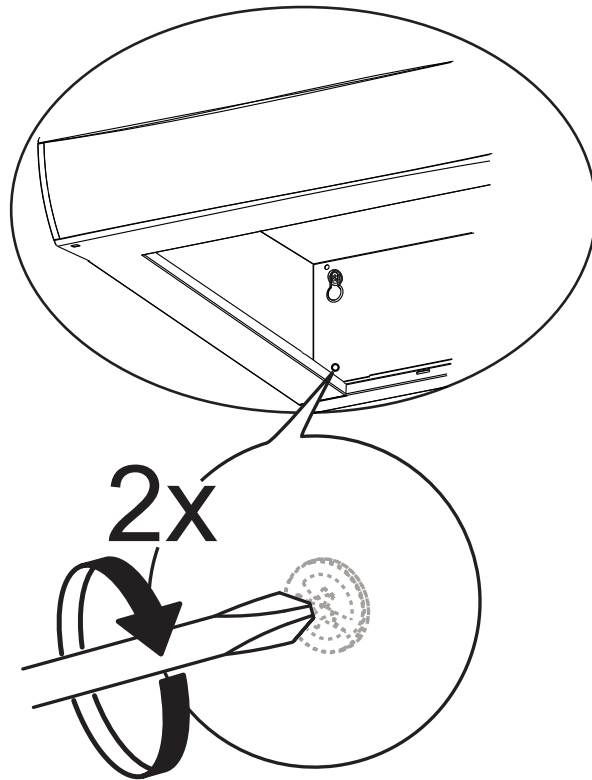




E	Pozi Screws (3/16" x 1 15/16")		
----------	--------------------------------	---	--

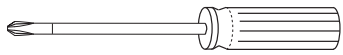
Pozi Screwdriver	
------------------	---

MOUNTING RANGE HOOD ON WALL

- 6 Using two remaining screws **E** anchor the hood in lower holes as indicated.



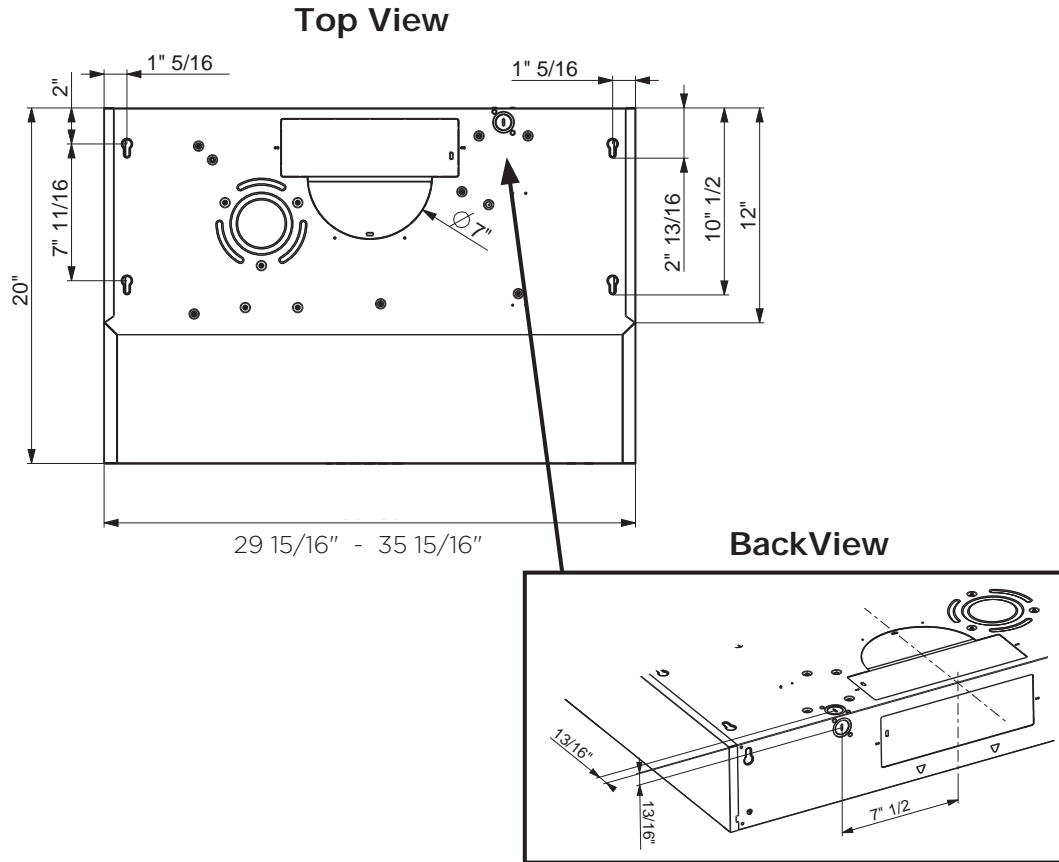
E	Pozi Screws (3/16" x 1 15/16")		
----------	--------------------------------	---	--

Pozi Screwdriver	
------------------	---

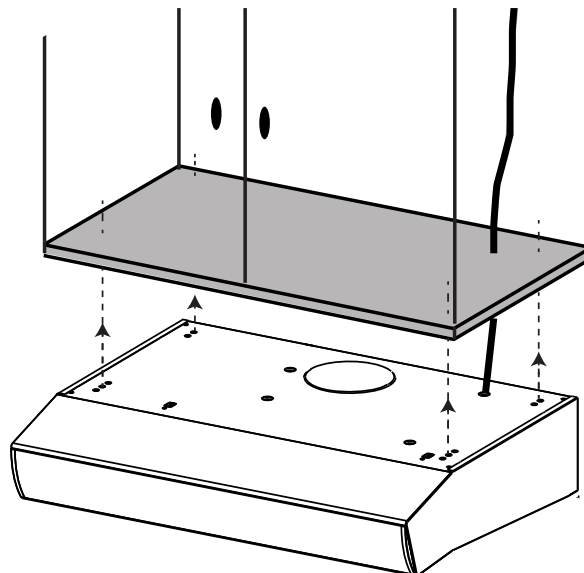
CAUTION! For installations that have a recessed bottom, 1"X 2" x 12" (approximate length) wood strips will need to be purchased and fitted to provide a level mounting area. The 12C Wall Mount Screws may work as fasteners, if not then 4 flat head wood screws would need to be purchased and used for this type of installation

MOUNTING RANGE HOOD UNDER THE CABINET

- 1 Locate the hole on the Range Hood for the power cord (See Section " CHOOSE VERTICAL OR HORIZONTAL ELECTRICAL CONNECTION KNOCKOUT'S ") and pass the cord through the appropriate hole.

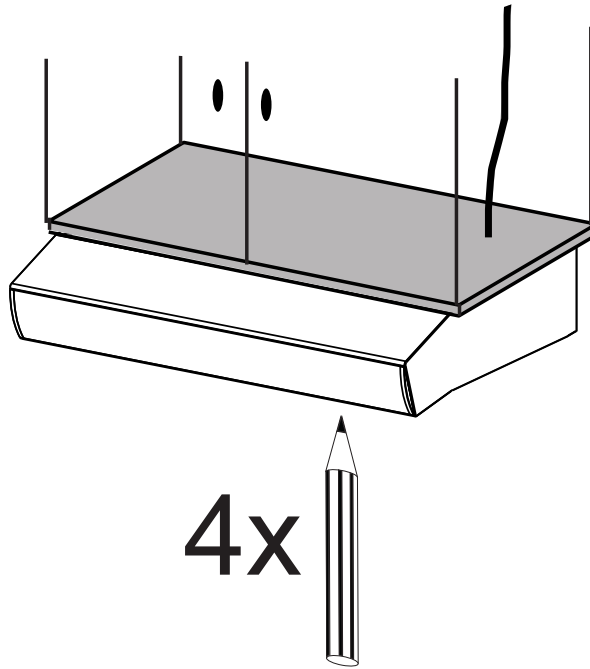


- 2 Lift the hood to the cabinet and pass the power cord through the appropriate holes on the Range Hood and through the cabinet to the power source.

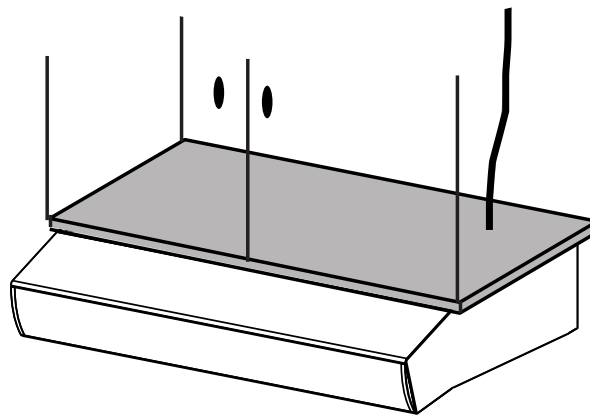




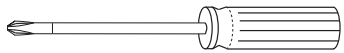
MOUNTING RANGE HOOD UNDER THE CABINET

- 3** Mark the holes for attaching the hood to the cabinet. Verify the measurement with the diagram on the previous page.



- 4** Attach the Hood body with 4 screws **E** from the bottom available with the hood.



E	Pozi Screws (3/16" x 1 15/16")		
Pozi Screwdriver			

CONNECTING ELECTRICITY

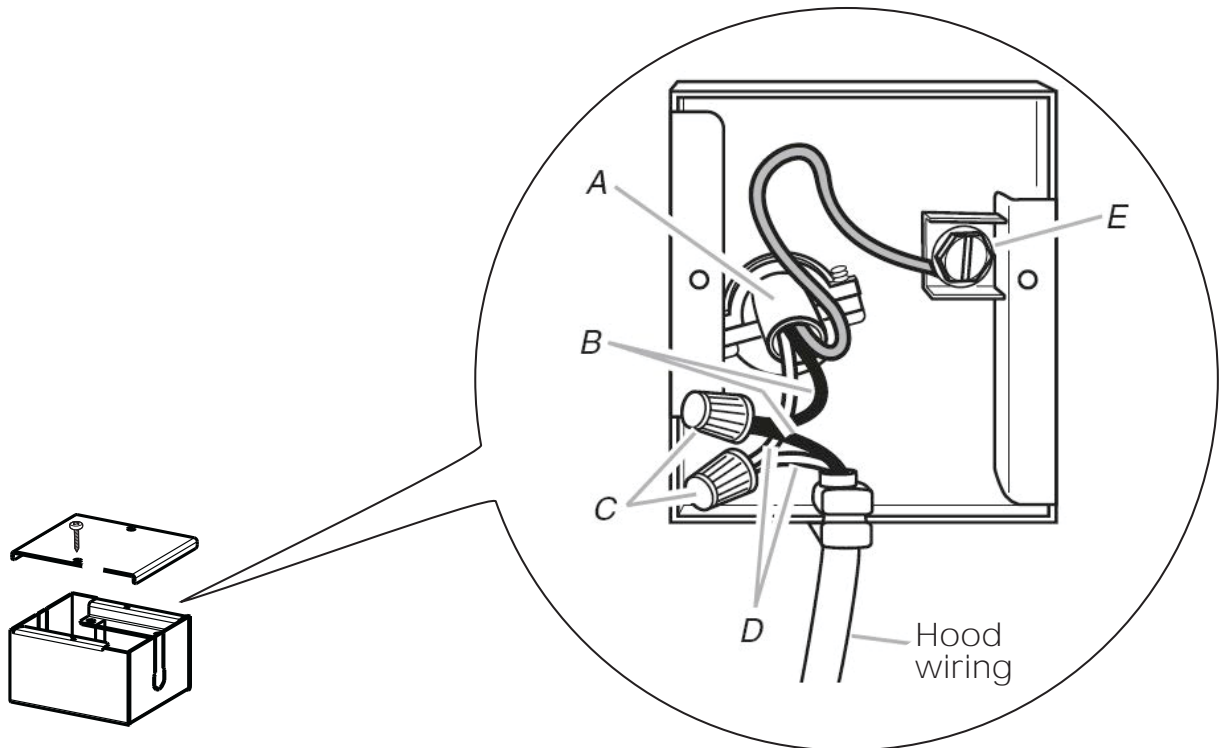
1 Connecting the House Power.

Caution! Do not turn on the house power until the installation is complete.

- Feed the Power Supply Cable through the electrical knock out.

2 Wiring Box Connections.

- Attach the White lead of the Power Supply (**A**) to the White lead of the Range Hood (**D**) with a twist-on type connector (**C**).
- Attach the Black lead of the Power Supply to the Black lead of the Range Hood (**B**) with a twist-on type wire connector (**C**).
- Connect the Green (**E**) (Green and Yellow) ground wire under the grounding screw.





3 Replace the field wiring compartment cover and the grease filters

OPERATING THE CONTROLS

FOR BEST RESULTS

Start the Range Hood several minutes before cooking to develop proper airflow. Allow the Range Hood to operate for several minutes after cooking is complete to clear all smoke and odors from the kitchen.

Button	Function
	Fan Off Button: Turn the blower Off. The fan can be operated by pressing any of the fan setting buttons.
1	Fan Settings Buttons: Low Speed.
2	Fan Settings Buttons: Medium Speed.
3/i	Fan Settings Buttons: High Speed.
	Light Button: On / Off switch for the LED lights. Press the LIGHT button to turn the light on and again to turn off.

CARING FOR FILTERS

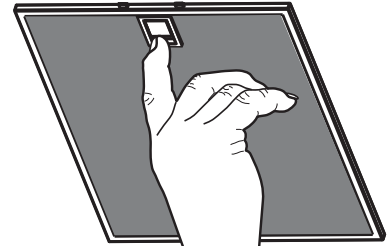
CLEANING METAL GREASE FILTERS

The metal grease filters can be cleaned in hot detergent solution or washed in the dishwasher.

They should be cleaned every 2 months use, or more frequently if use is particularly heavy.

1

Remove the filter by pulling the latch forward and pulling down at the same time.

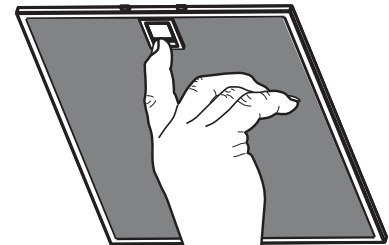


2

Wash the filter without bending it. Leave it to dry thoroughly before reinstalling. If the surface of the filter changes color over time, efficiency will not be affected.

3

To reinstall the filter, push the filter up into position while pulling the latch forward, then release the latch to lock into place.



NOTES:

- Cleaning in a dishwasher may dull the finish of the metal grease filters.
- Ensure that the filters are completely dry before installing them back into the Range Hood.

CLEANING EXTERIOR SURFACES

Please note, abrasives and scouring agents can scratch range hood finishes and should not be used to clean finished surfaces.

Stainless Steel finish cleaning instructions:

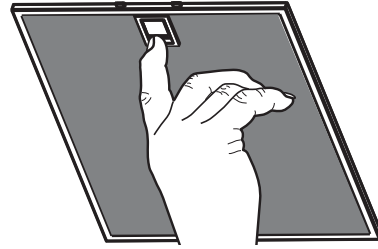
Clean exterior surfaces with a commercially available stainless steel cleaner.

REPLACING ACTIVATED CHARCOAL FILTER

The Activated Charcoal Filters are not washable and cannot be regenerated, and must be replaced approximately every 4 months of operation, or more frequently with heavy usage.

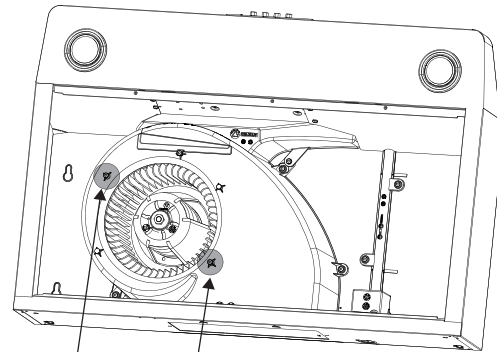
1

Remove the grease filters.



2

Remove the old carbon filter by removing the two screws and then install the new filter using the same two screw holes.



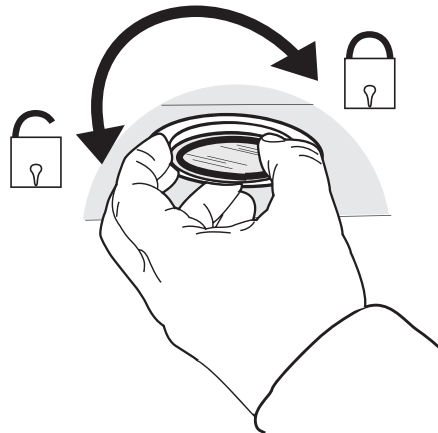
3

Reinstall the grease filters.



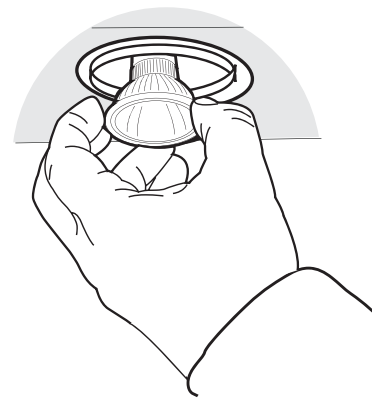
REPLACING LIGHTING

- 1 5 W LED Type GU10 lamp**
Remove the bulb (See the picture).



- 2** Replace the bulb with a new one of the same type, making sure that you insert the two pins properly into the housings on the lamp holder and twist to lock back in place.

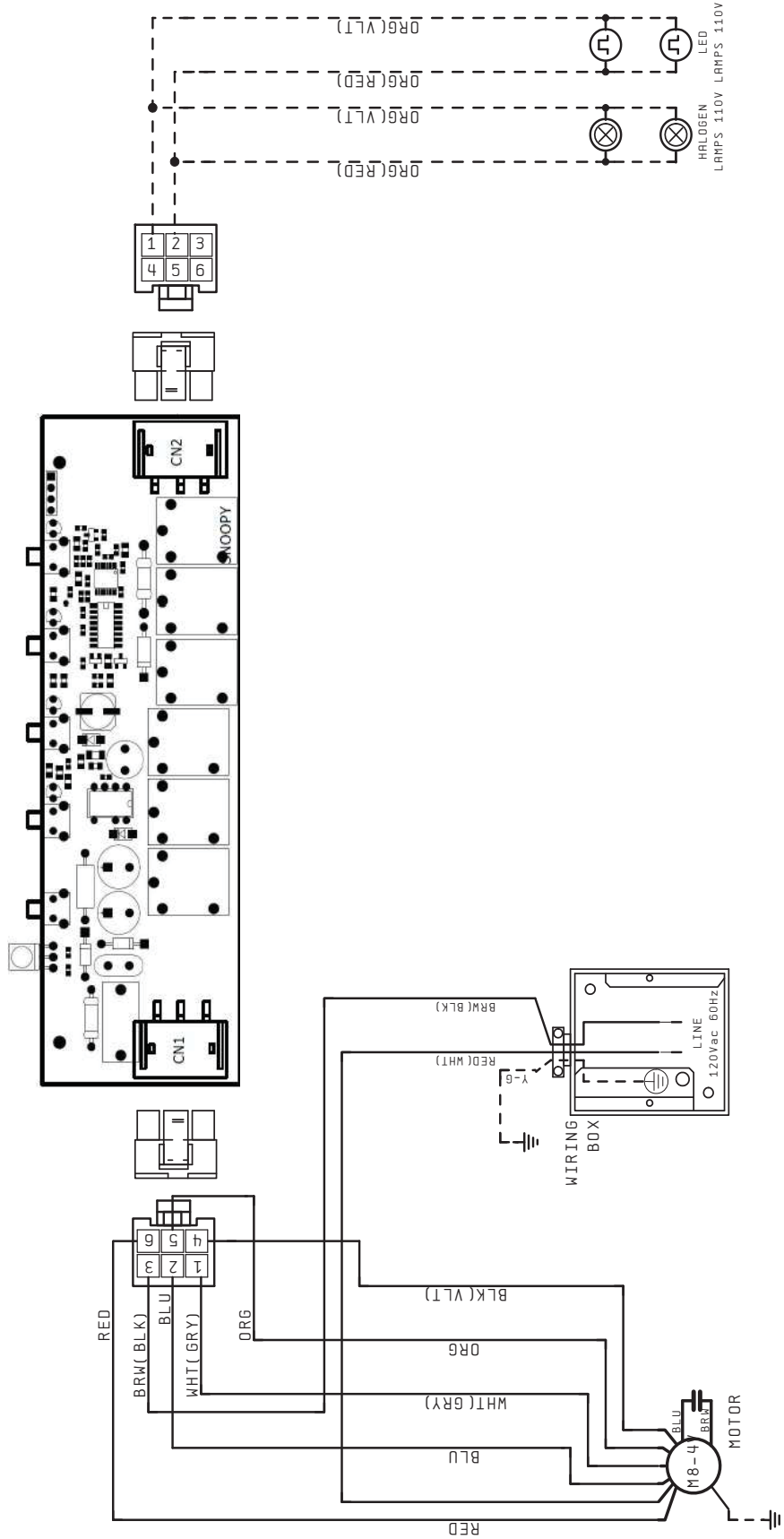
Attention: The bulbs could be hot, please wait some minutes before the replacing.



Gu10 self-ballasted led lamps – listed in accordance with ul 1993/nmx-j-578/1-ance/csa c22.2 No. 1993



WIRING DIAGRAM



WARRANTY



FABER CONSUMER WARRANTY & SERVICE

All Faber products are warranted against any defect in materials or workmanship for the original purchaser for a period of 1 year from the date of original purchase (requires proof of purchase). This warranty covers labor and replacement parts. Faber, at its option, may repair or replace the product or components necessary to restore the product to good working condition. To obtain warranty service, contact the dealer from whom you purchased the range hood, or the local Faber distributor. If you cannot identify a local Faber distributor, contact us at (508) 358-5353 for the name of a distributor in your area.

The following is not covered by Faber's warranty:

1. Service calls to correct the installation of your range hood, to instruct you how to use your range hood, to replace or repair house fuses or to correct house wiring or plumbing.
2. Service calls to repair or replace range hood light bulbs, fuses or filters. Those consumable parts are excluded from warranty coverage.
3. Repairs when your range hood is used for other than normal, single-family household use.
4. Damage resulting from accident, alteration, misuse, abuse, fire, flood, acts of God, improper installation, installation not in accordance with electrical or plumbing codes or Faber documentation, or use of products not approved by Faber.
5. Replacement parts or repair labor costs for units operated outside the United States or Canada, including any non-UL or C-UL approved Faber range hoods.
6. Repairs to the hood resulting from unauthorized modifications made to the range hood.
7. Expenses for travel and transportation for product service in remote locations and pickup and delivery charges. Faber range hoods should be serviced in the home.

THIS WARRANTY DOES NOT ALLOW RECOVERY OF INCIDENTAL OR CONSEQUENTIAL DAMAGES, INCLUDING, WITHOUT LIMITATION, DIRECT, INDIRECT, INCIDENTAL, SPECIAL OR CONSEQUENTIAL DAMAGES, PERSONAL INJURY/WRONGFUL DEATH OR LOST PROFITS FABER WARRANTY IS LIMITED TO THE ABOVE CONDITIONS AND TO THE WARRANTY PERIOD SPECIFIED HEREIN AND IS EXCLUSIVE. EXCEPT AS EXPRESSLY SPECIFIED IN THIS AGREEMENT, FABER DISCLAIMS ALL EXPRESS OR IMPLIED CONDITIONS, REPRESENTATIONS, AND WARRANTIES INCLUDING, WITHOUT LIMITATION, ANY IMPLIED WARRANTIES OF MERCHANTABILITY OR FITNESS FOR A PARTICULAR PURPOSE.

This warranty gives you specific legal rights that may vary from state to state.

Model#: _____

Serial #: _____

TABLE DES MATIÈRES

Section	Page
Importantes consignes de sécurité	35
Dimensions de la hotte	39
Hauteur requise pour l'installation	40
Pièces	41
Outils nécessaires	42
Avant l'installation, retirez les matériaux d'expédition	43
Uniquement pour le marché canadien	44
Choisissez des entrées défonçables de raccordement électrique verticales ou horizontales	45
Options de méthode d'évacuation – avec ou sans conduit	47
Option de recirculation sans conduit	48
Sortie ronde avec conduit de 7 pouces	49
Conduits métalliques rectangulaires de 3 1/4 x 10 po sur le dessus	51
Conduits métalliques rectangulaires de 3 1/4 x 10 po à l'arrière	52
Choix de la méthode de montage	53
Montage de la hotte sur un mur	54
Montage de la hotte sous un cabinet de cuisine	58
Branchements électriques	60
Utilisation des commandes	61
Entretien des filtres	62
Remplacement des lampes	64
Schéma de câblage	65
Garantie	66

IMPORTANTES CONSIGNES DE SÉCURITÉ

VEUILLEZ LIRE ET CONSERVER LA PRÉSENTE NOTICE AVANT DE COMMENCER L'INSTALLATION DE LA HOTTE DE CUISINE

AVERTISSEMENT: - POUR RÉDUIRE LE RISQUE D'UN FEU DE GRAISSE SUR LA TABLE DE CUISSON:

- a) **Ne laissez jamais sans surveillance les éléments de la surface de cuisson à température élevée. Les bouillonnements excessifs peuvent provoquer de la fumée et les débordements de graisse peuvent s'enflammer. L'huile doit être chauffée lentement, à une température basse ou moyenne.**
- b) **Assurez-vous de toujours mettre en marche la hotte lorsque vous cuisinez à température élevée ou préparez un mets flambé (p.ex. crêpes Suzette, cerises jubilé, bœuf flambé).**
- c) **Nettoyez régulièrement les ventilateurs d'aspiration. Assurez-vous de ne pas laisser de la graisse s'accumuler sur le ventilateur ou le filtre.**
- d) **Utilisez toujours des poêles et casseroles de la taille appropriée. Utilisez toujours des ustensiles de cuisine de la taille adaptée à celle de l'élément chauffant.**

AVERTISSEMENT: - POUR PRÉVENIR LES BLESSURES EN CAS DE FEU DE GRAISSE SUR LA TABLE DE CUISSON, SUIVEZ LES RECOMMANDATIONS SUIVANTES*:

- a) **ÉTOUFFEZ LES FLAMMES à l'aide d'un couvercle hermétique, d'une plaque à biscuits ou d'un plateau métallique, puis éteignez le brûleur. FAITES ATTENTION AUX BRÛLURES. Si le feu ne s'éteint pas immédiatement, QUITTEZ LES LIEUX ET APPELEZ LES POMPIERS.**
- b) **NE PRENEZ JAMAIS UNE CASSEROLE EN FLAMME - Vous pourriez vous brûler.**
- c) **N'UTILISEZ JAMAIS DE L'EAU, ni un linge à vaisselle ou un torchon mouillé, pour éteindre le feu. Cela pourrait provoquer une violente explosion de vapeur.**
- d) **Utilisez un extincteur UNIQUEMENT si:**
 1. **Vous êtes certain qu'il s'agit d'un extincteur de classe ABC et que vous connaissez bien son mode d'emploi.**
 2. **Le feu est de faible intensité et se limite à l'endroit où il a démarré.**
 3. **Les pompiers ont déjà été appelés.**
 4. **Une voie de sortie se trouve derrière vous pendant que vous éteignez les flammes.**

* D'après le guide «Kitchen Firesafety Tips» publié par la NFPA aux États-Unis

AVERTISSEMENT - POUR RÉDUIRE LE RISQUE D'INCENDIE OU DE CHOC ÉLECTRIQUE, n'utilisez jamais ce ventilateur en association avec un dispositif de réglage de vitesse à semi-conducteurs.

AVERTISSEMENT - POUR RÉDUIRE LES RISQUES D'INCENDIE, DE CHOC ÉLECTRIQUE OU DE BLESSURE CORPORELLE, RESPECTEZ LES INSTRUCTIONS SUIVANTES:

1. **Utilisez cet appareil uniquement de la façon prévue par le fabricant. Pour toute question, communiquez avec le fabricant.**
2. **Avant de procéder à l'entretien ou au nettoyage de l'appareil, coupez l'alimentation au niveau du panneau électrique et verrouillez-le pour vous assurer que l'électricité n'est pas rétablie accidentellement. S'il n'est pas possible de verrouiller le dispositif d'interruption de l'alimentation, affichez de façon ferme et bien visible un avis de danger, par exemple à l'aide d'une étiquette sur le panneau.**

ATTENTION : Destiné à un usage de ventilation générale uniquement. N'utilisez pas ce dispositif pour l'aspiration de vapeurs ou de matériaux dangereux ou explosifs.

AVERTISSEMENT - POUR RÉDUIRE LES RISQUES D'INCENDIE, DE CHOC ÉLECTRIQUE OU DE BLESSURE CORPORELLE, RESPECTEZ LES INSTRUCTIONS SUIVANTES :

1. **L'installation et le branchement électrique doivent être réalisés par un technicien qualifié**

et conformément à tous les codes et normes en vigueur, incluant ceux concernant la construction à l'épreuve du feu.

- 2. Afin de garantir une combustion et une évacuation adéquates des gaz par les conduites de la cheminée des appareils à combustion, une bonne aération est nécessaire pour éviter le refoulement. Respectez les lignes directrices fournies par le fabricant du matériel chauffant, ainsi que les normes de sécurité comme celles publiées par la National Fire Protection Association (NFPA) et la American Society for Heating, Refrigeration and Air Conditioning Engineers (ASHRAE) aux États-Unis, ainsi que les codes en vigueur dans votre région.**
- 3. Lorsque vous faites une ouverture ou percez dans un mur ou le plafond, veillez à ne pas endommager les fils électriques ou d'autres dispositifs cachés.**
- 4. Les ventilateurs canalisés doivent toujours être raccordés à l'extérieur.**

TOUTE OUVERTURE DANS LE MUR OU LE PLANCHER À PROXIMITÉ DE LA HOTTE DOIT ÊTRE SCELLÉE.

Un espace libre d'au moins 24" est requis entre le bas de la hotte et la surface de cuisson ou le comptoir. Cette hotte a été homologuée par l'UL à cette distance de la surface de cuisson. L'espace libre minimal requis peut-être plus grand, selon la réglementation en matière de construction de votre région. Pour les cuisinières à gaz et les cuisinières combinées, un espace minimal de 30" est recommandé et pourrait être exigé.

Les armoires suspendues de chaque côté de l'appareil doivent se trouver à au moins 18" de la surface de cuisson ou du comptoir. Consultez la notice d'installation de la surface de cuisson ou de la cuisinière fournie par le fabricant avant de pratiquer des ouvertures.

INSTALLATION DANS UNE MAISON MOBILE L'installation de cette hotte doit être conforme à la Partie 3280 de la norme Manufactured Home Construction and Safety Standards, Title 24 CFR (précédemment la partie 280 de la norme Federal Standard for Mobile Home Construction and Safety, Title 24, HUD). Consultez la fiche technique électrique"

CRITÈRES DE VENTILATION

Déterminez quelle méthode de ventilation est mieux adaptée à votre application. Les conduits peuvent passer par le mur ou le toit.

Pour garantir une meilleure efficacité, la longueur des conduits et le nombre de coudes doivent être le plus limités que possible. Le diamètre des conduits devrait être uniforme. N'installez pas deux coudes ensemble. Utilisez un ruban pour canalisations afin de sceller tous les joints du système de conduits. Utilisez un calfeutrage pour sceller les ouvertures dans le mur extérieur ou le plancher, autour du clapet.

Il n'est pas recommandé d'utiliser des conduits flexibles. Les conduits flexibles provoquent une contre-pression et de la turbulence qui diminuent grandement l'efficacité de l'appareil.

Assurez-vous que l'espace libre dans le mur ou le plancher est suffisant pour le conduit d'évacuation avant de pratiquer les ouvertures. Ne coupez jamais une poutre ou un chevron, sauf si c'est absolument nécessaire. S'il s'avère nécessaire de couper une poutre ou un chevron, la construction d'un renforcement est requise.

AVERTISSEMENT - Pour réduire le risque d'incendie, utilisez uniquement des conduits métalliques.

ATTENTION - Pour réduire le risque d'incendie et pour évacuer adéquatement l'air, assurez-vous de raccorder les conduits à l'extérieur - Ne diffusez pas l'air d'évacuation dans des espaces à l'intérieur des murs ou du plafond, ou encore à l'intérieur d'un grenier, d'une galerie technique ou d'un garage.

Installation dans les climats froids

Le système de ventilation doit prévoir un registre antirefoulement supplémentaire pour réduire le flux d'air froid inverse, ainsi qu'une barrière thermique non métallique pour réduire la conduction des températures extérieures. Le registre doit être installé du côté air froid par rapport à la barrière thermique. La barrière thermique doit être positionnée le plus près que possible de l'endroit où le système de ventilation pénètre dans la partie chauffée de la maison.



AVERTISSEMENT

- Le système de ventilation DOIT déboucher à l'extérieur.
- **NE FAITES PAS** déboucher les conduits dans un grenier ou un autre endroit fermé.
- **N'UTILISEZ PAS** un clapet de sècheuse mural de 4".
- Il n'est pas recommandé d'utiliser des conduits flexibles.
- **N'ENTRAVEZ PAS** le flux de l'air de combustion et de ventilation.
- Le non-respect des exigences en matière de ventilation pourrait entraîner un incendie.

FICHE TECHNIQUE ÉLECTRIQUE

Une alimentation de courant alternatif de 120 volts à 60 Hz est requise sur un circuit à fusible distinct de 15 ampères. Il est recommandé d'installer un fusible temporisé ou un disjoncteur. Le fusible doit être calibré conformément aux codes en vigueur pour les caractéristiques nominales électriques de l'appareil, indiquées sur la plaque signalétique située à l'intérieur de l'appareil, à proximité du compartiment des câblages externes.

INSTALLATION ÉLECTRIQUE AVEC BOÎTIER DE CONNEXION

CET APPAREIL DOIT ÊTRE UNIQUEMENT BRANCHÉ À L'AIDE DE FILS DE CUIVRE. Le calibre des fils doit être conforme aux critères de la dernière édition du National Electrical Code, de l'ANSI/NFPA 70 et de l'ensemble des codes et réglementations en vigueur. Le calibre des fils et les connexions doivent être adaptés aux caractéristiques nominales de l'appareil. Il est possible de se procurer un exemplaire des normes indiquées ci-dessus en communiquant avec:

National Fire Protection Association
Batterymarch Park
Quincy, Massachusetts 02269 (États-Unis)

Cet appareil devrait être branché directement au sectionneur à fusible (ou au disjoncteur) par un câble flexible de cuivre avec blindage ou gaine non métallique. Laissez un peu de jeu dans le câble pour permettre le déplacement de l'appareil si des travaux d'entretien s'avéraient nécessaires. Un raccord de conduit homologué par l'UL de 1/2" doit être installé aux deux extrémités du câble d'alimentation (au niveau de l'appareil et de la boîte de liaison).

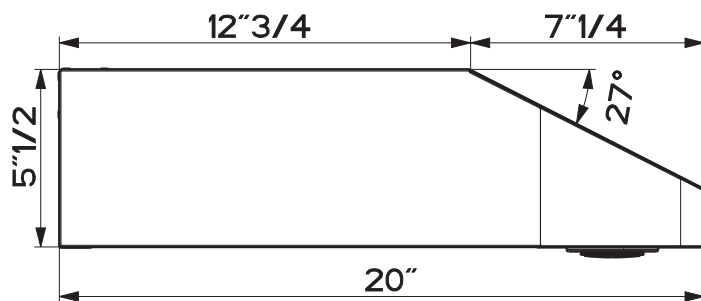
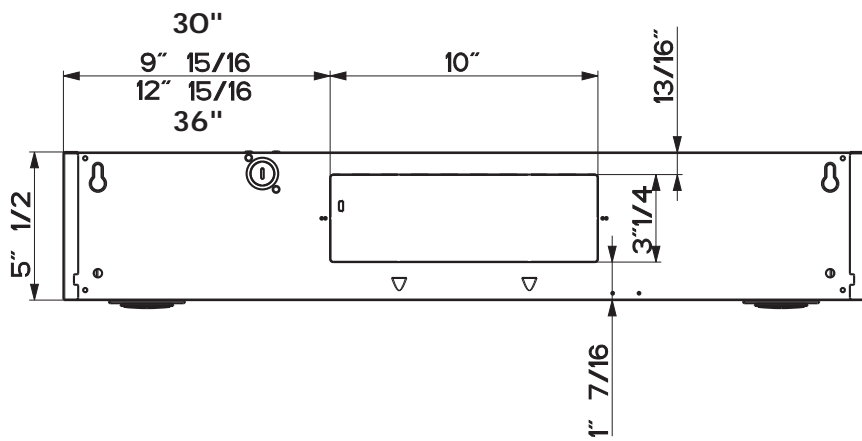
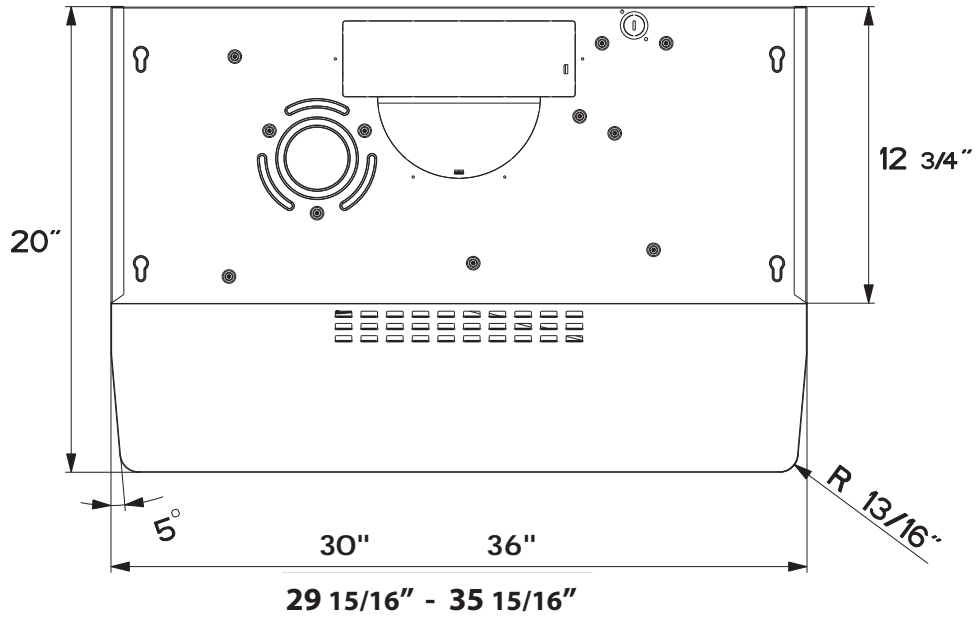
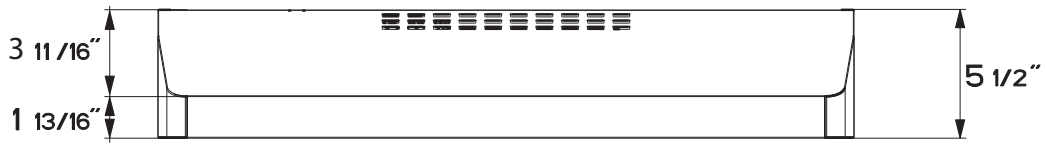
Lors de la réalisation du branchement électrique, réalisez un trou de 1 1/4" dans le mur. S'il s'agit d'un trou dans le bois, il doit être poncé pour le rendre lisse. S'il s'agit d'un trou dans le métal, un passe-fils est requis.



AVERTISSEMENT

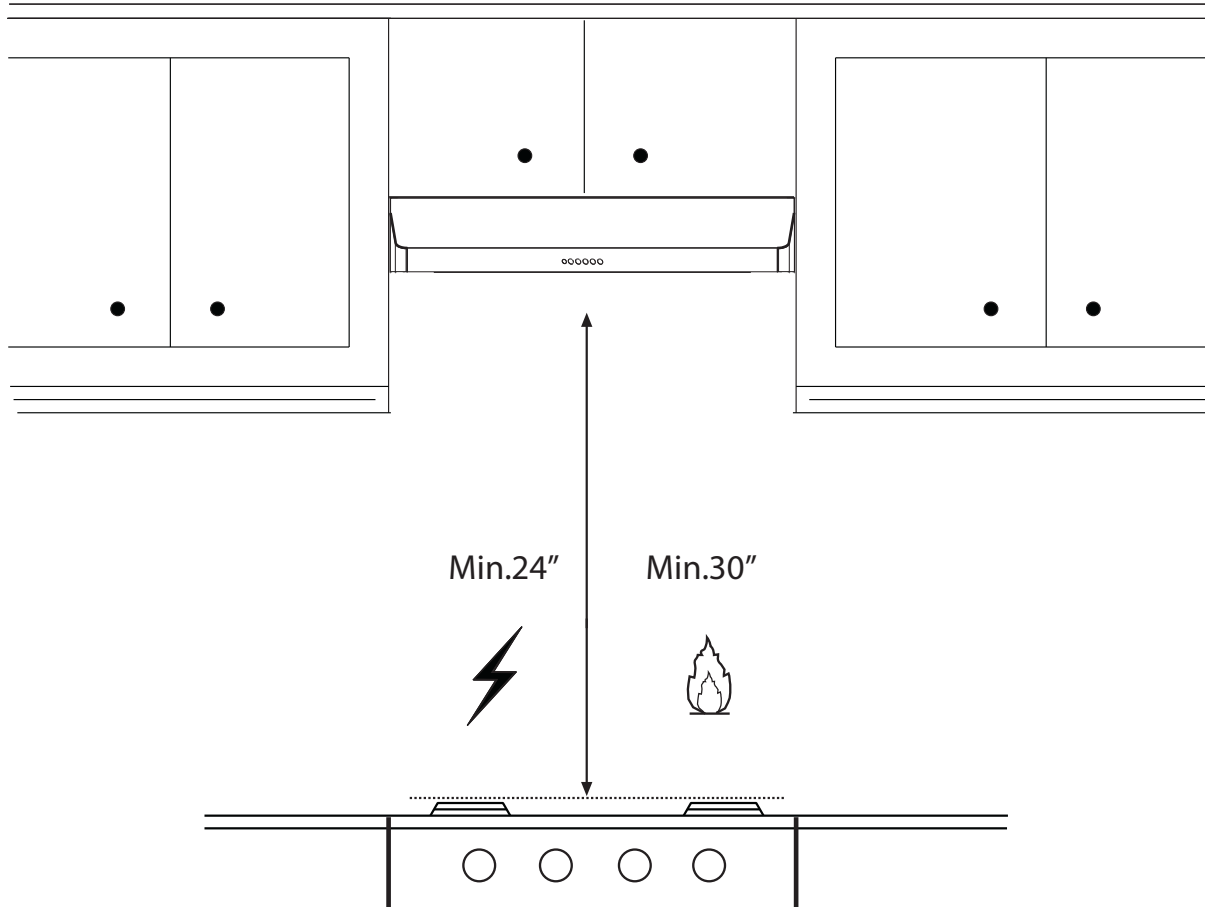
- Une mise à la terre électrique est requise pour cette hotte.
- N'UTILISEZ PAS un tuyau d'eau froide pour la mise à la terre si celui-ci est branché par des joints en plastique, par des rondelles non métalliques ou d'autres matériaux.
- N'UTILISEZ PAS une conduite de gaz pour la mise à la terre.
- N'INSTALLEZ PAS un fusible sur le circuit neutre ou le circuit de mise à la terre. La présence d'un fusible dans le circuit neutre ou de mise à la terre peut entraîner un choc électrique.
- Consultez un électricien qualifié si vous n'êtes pas certain de la mise à la terre de la hotte.
- Le non-respect des exigences de la fiche technique électrique pourrait entraîner un incendie.

DIMENSIONS DE LA HOTTE







HAUTEUR REQUISE POUR L'INSTALLATION

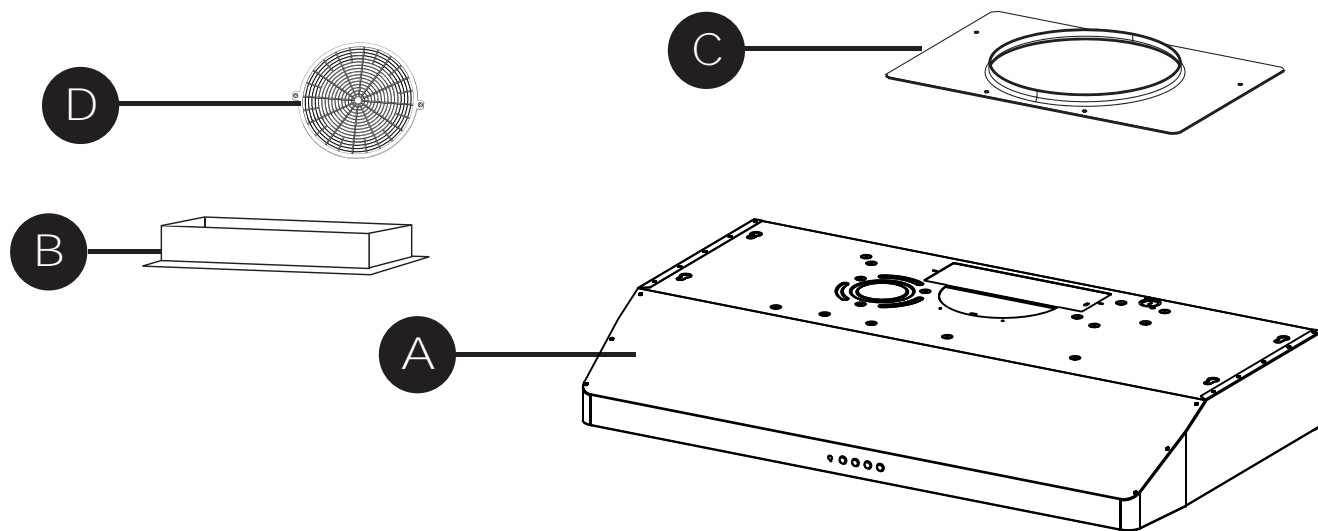
MIN. 24" AU-DESSUS D'UNE / MIN. 30" AU-DESSUS D'UNE
SURFACE ÉLECTRIQUE SURFACE AU GAZ



PIÈCES

PIÈCES INCLUSES

RÉF.	PIÈCE	
A	Corps de la hotte - Comprend les commandes, l'éclairage, les filtres, le ventilateur	1
B	Amortisseur (3 1/4 x 10 po)	1
C	Bride ronde de 7 po	1
D	Grille (uniquement pour le marché canadien)	1
RÉF.	PIÈCE	
E	Vis Pozi (3/16 x 1 15/16 po)	  4
F	Vis Torx (1/8 x 3/8 po)	  4



Accessoires disponibles

Filtre à charbon actif (**FILTER5**)

Remarque : le filtre à charbon est fixé à l'aide de deux vis (voir page 48 et figure C).


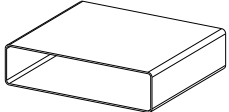




Les filtres à charbon doivent être achetés auprès de revendeurs Faber agréés.



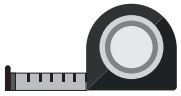

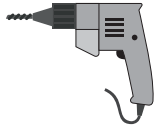
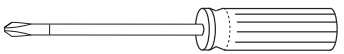
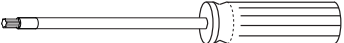
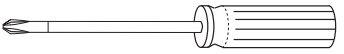
Télécommande sans fil - **REMCTRL2**

PIÈCES (suite)

PIÈCES NÉCESSAIRES

PIÈCE	
Conduits métalliques ronds de 7 po	
Conduits métalliques rectangulaires de 3 1/4 x 10 po	
Amortisseur de 7 po	
Connecteurs de fil.	
Cordon d'alimentation électrique.	
Chevilles pour cloisons sèches ou autres fixations murales adaptées à votre installation.	
Capuchon mural / capuchon de toit. Doit être acheté séparément	

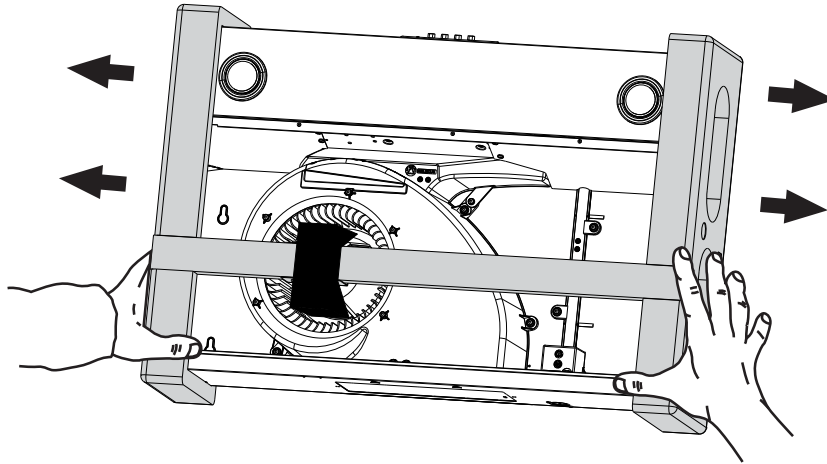
OUTILS NÉCESSAIRES

OUTIL	
Ruban à mesurer	
Crayon	
Perceuse électrique avec foret de 5/16 po	
Tournevis à pointe Phillips	
Tournevis Torx	
Tournevis Pozi	

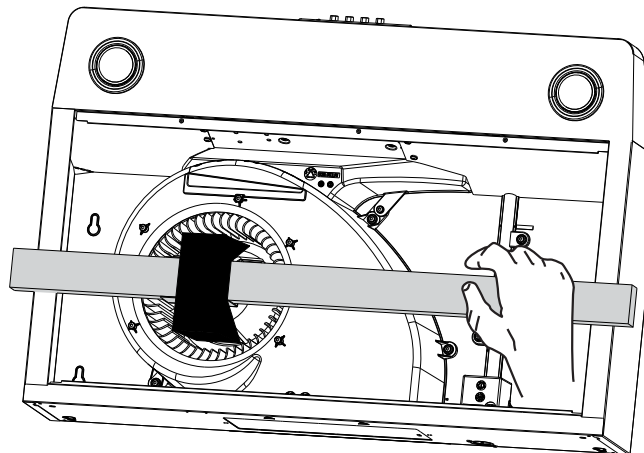
AVANT L'INSTALLATION, RETIREZ LES MATÉRIAUX D'EXPÉDITION

1 Retirez l'emballage latéral.

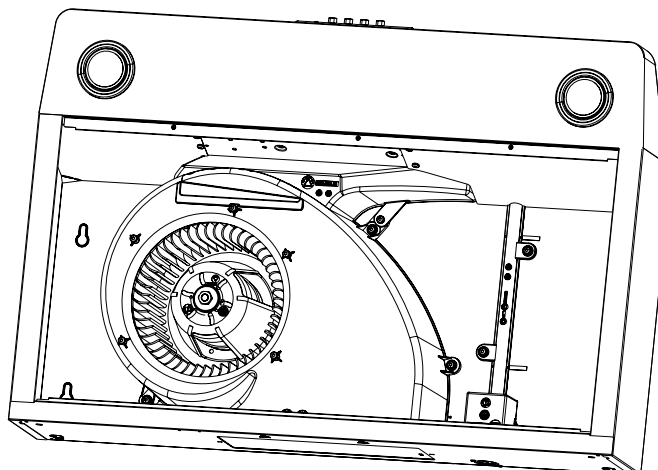
Attention : ne soulevez pas la hotte à l'aide de la barre en bois



2 Retirez l'emballage en mousse et la barre en bois.



3 Prêt pour l'installation.



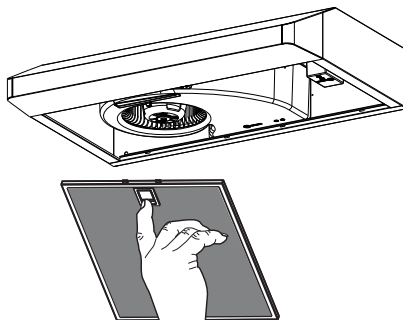


UNIQUEMENT POUR LE MARCHÉ CANADIEN

1

Pour les installations avec conduits uniquement :

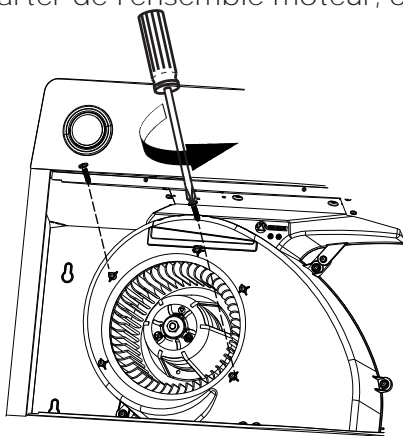
Retirez les filtres un par un en les poussant vers l'arrière de la hotte et en les tirant en même temps vers le bas.



2

Retirez les vis comme illustré.

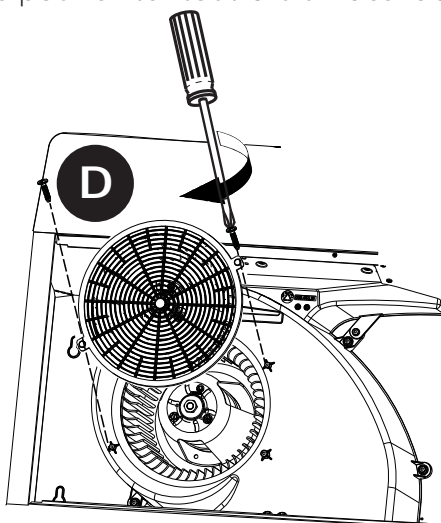
Retirez deux des vis du carter de l'ensemble moteur, comme illustré.



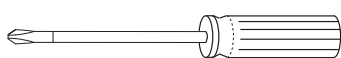
3

Installez les vis comme illustré.

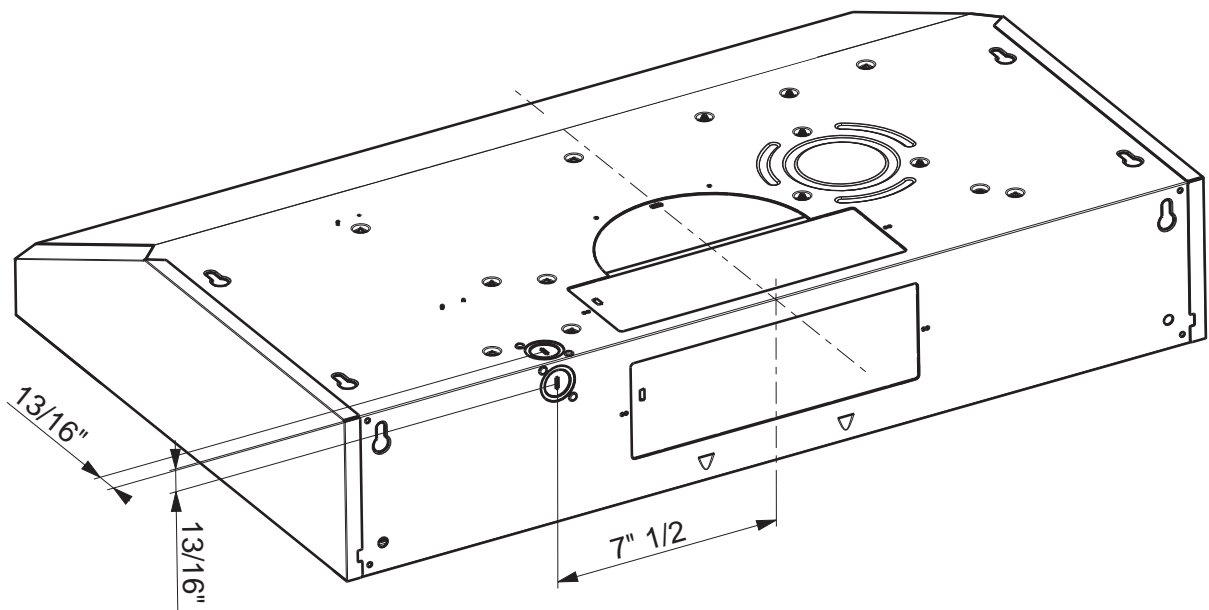
Installez la grille **D** avec les deux vis retirées à l'étape 2. Vissez la grille de protection à l'emplacement indiqué sur l'illustration ci-dessous. (L'emplacement correct comporte une découpe rectangulaire pour s'adapter à la grille.)
Veillez à bien visser la grille pour éviter tout bruit indésirable.



Tournevis à pointe Phillips

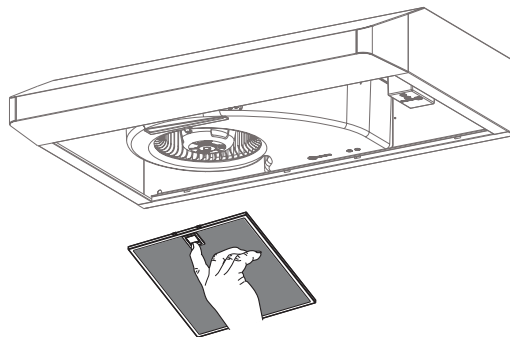


CHOISISSEZ DES ENTRÉES DÉFONÇABLES DE RACCORDEMENT ÉLECTRIQUE VERTICALES OU HORIZONTALES

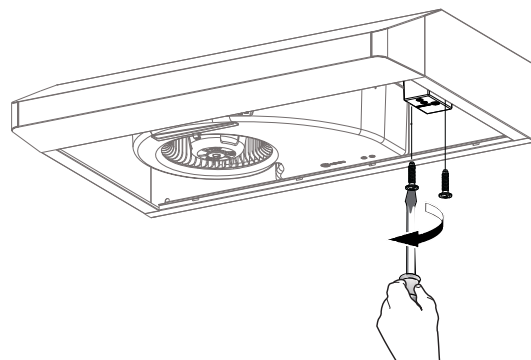


Préparation de la hotte pour les entrées défonçables

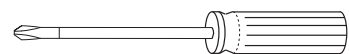
- 1 Retirez les filtres un par un en les poussant vers l'arrière de la hotte et en les tirant en même temps vers le bas.



- 2 Retirez le couvercle du boîtier de câblage en dévissant les 2 vis.



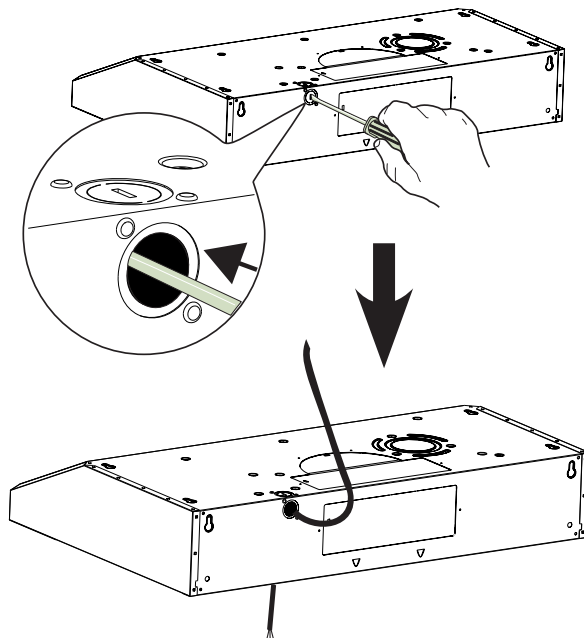
Tournevis à pointe Phillips



3 Trou arrière (horizontal)

Choisissez le trou arrière pour le raccordement électrique et cassez l'entrée défonçable avec un tournevis ou un autre outil.

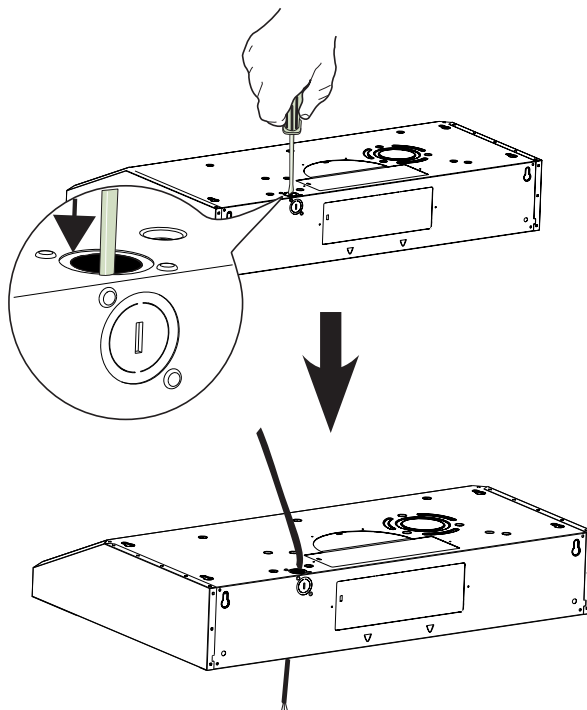
Lors de l'installation, faites passer le câble d'alimentation dans ce trou.



4 Trou supérieur (vertical)

Choisissez le trou du dessus pour le raccordement électrique et cassez l'entrée défonçable avec un tournevis ou un autre outil.

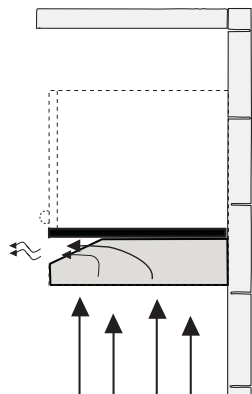
Lors de l'installation, faites passer le câble d'alimentation dans ce trou.



OPTIONS DE MÉTHODE D'ÉVACUATION – AVEC OU SANS CONDUIT

OPTION DE RECIRCULATION SANS CONDUIT

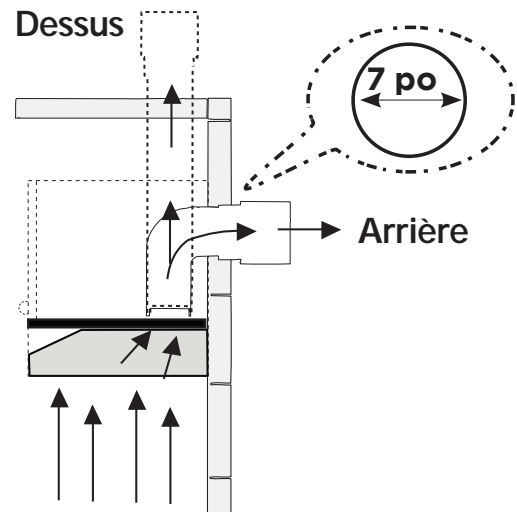
Exige l'achat d'un accessoire à charbon actif



Rendez-vous à la page 48

Option avec conduit AVEC SORTIE RONDE DE 7 POUCES :

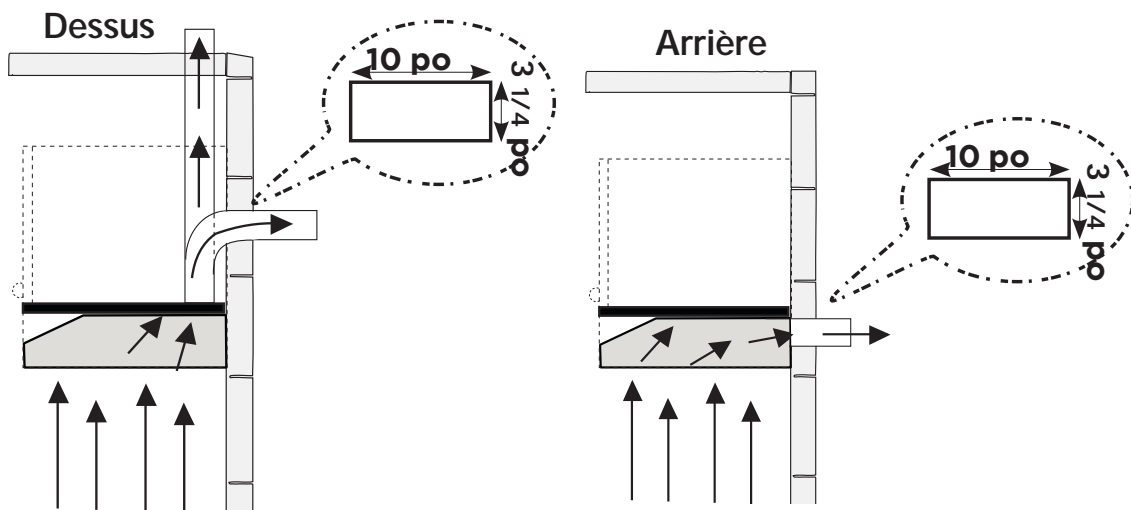
- verticale
- horizontale



Rendez-vous à la page 49

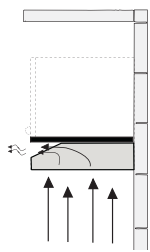
CONDUITS MÉTALLIQUES RECTANGULAIRES DE 3 1/4 X 10 PO

- verticale
- horizontale

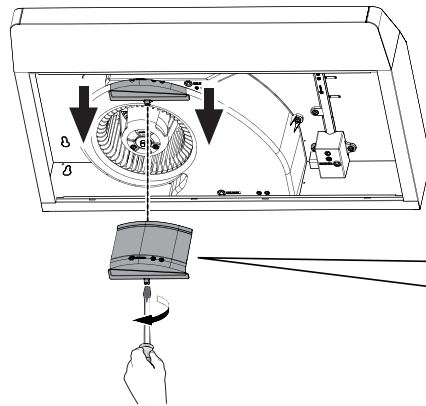


Rendez-vous à la page 51

OPTION DE RECIRCULATION SANS CONDUIT

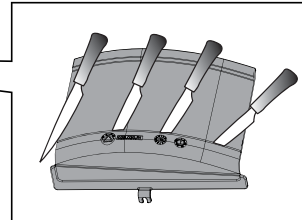


(a)



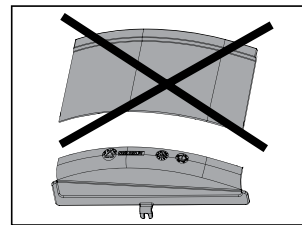
Retirez le couvercle du ventilateur indiqué (ne jetez pas la vis).

(b1)



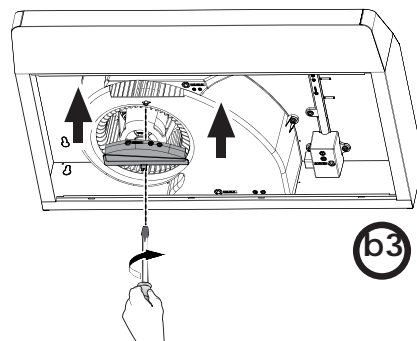
Coupez le couvercle à l'endroit indiqué sur l'image b1.

(b2)



Jetez/ recyclez les pièces supérieures du couvercle du ventilateur.

(b3)



Remettez en place le couvercle du ventilateur modifié avec la même vis.

Accessoire de filtre à charbon actif requis – (FILTER5) acheté séparément.

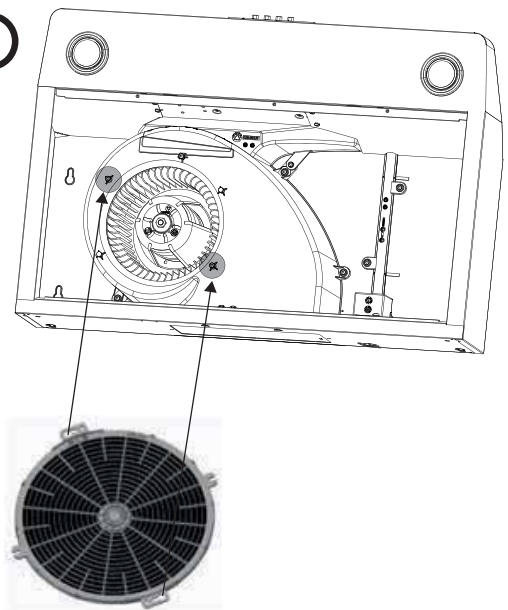


Pour les installations sans conduit uniquement :

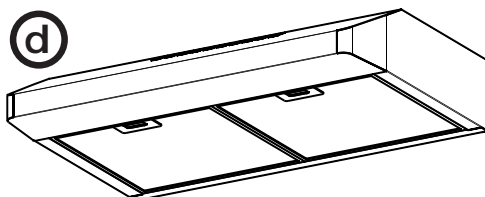
1. Retirez les deux vis situées sur le carter du moteur à l'emplacement indiqué.
2. Placez le filtre à charbon avec les languettes contre le boîtier du ventilateur, à l'emplacement indiqué sur la figure **(C)**. Le trou de montage en poire de la face avant du FILTER5 doit se trouver sur la surface supérieure du filtre. Une couche de charbon de bois sera visible à travers les grilles.
3. Utilisez les deux vis retirées précédemment pour fixer le FILTER5 en place.

REMARQUE : Pour les installations sans conduit, la grille pour le Canada ne doit PAS être utilisée.

(C)



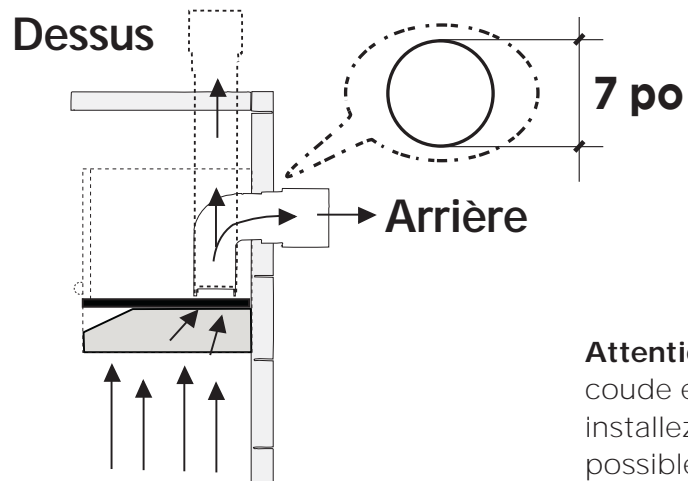
(d)



Avant de faire fonctionner la hotte, remettez les filtres à graisse existants après avoir installé le filtre à charbon actif.

Rendez-vous à la page 53

SORTIE RONDE AVEC CONDUIT DE 7 POUCES



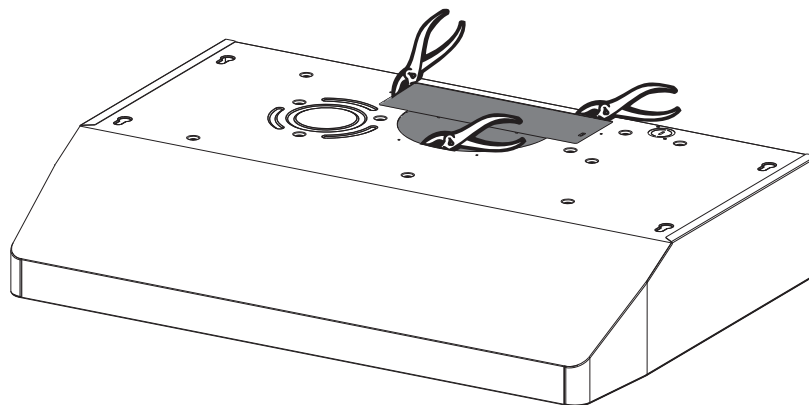
Attention : si un coude est nécessaire, installez-le aussi loin que possible de l'ouverture d'évacuation de la hotte.

Requis : amortisseur rond de 7 pouces à acheter séparément.



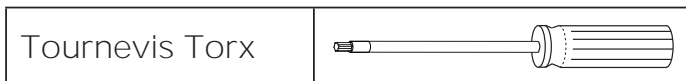
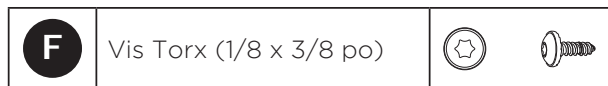
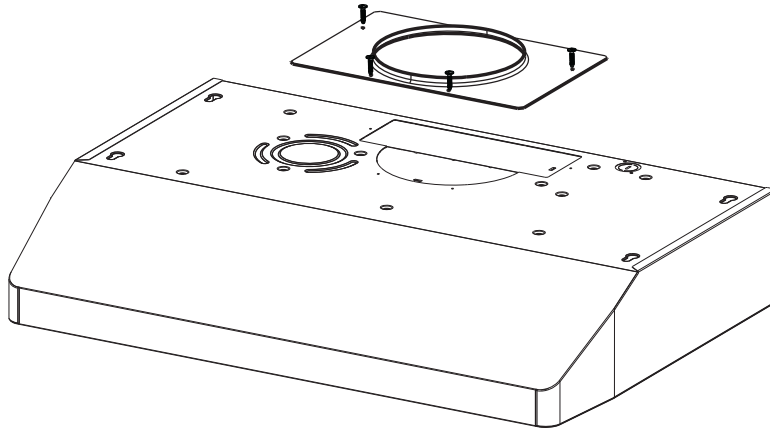
1

Coupez à l'endroit indiqué.
Retirez les zones rectangulaire et semi-circulaire avec des cisailles métalliques.

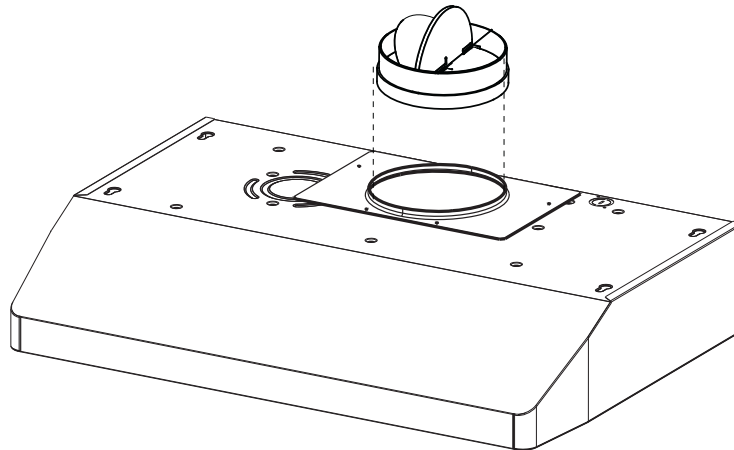


2 Installez la bride avec les vis de transition de bride **F**.

REMARQUE : La bride doit être montée avec la lèvre tournée vers le haut. Utilisez uniquement les vis fournies pour la bride.



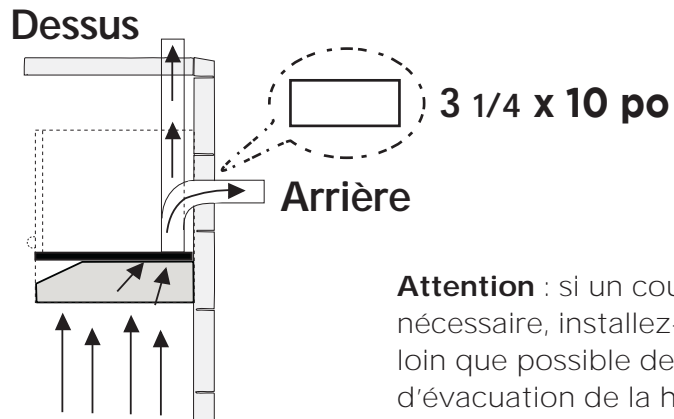
3 Requis : amortisseur rond de 7 pouces à acheter séparément. Fixer l'amortisseur à l'aide de ruban adhésif pour conduit en aluminium.



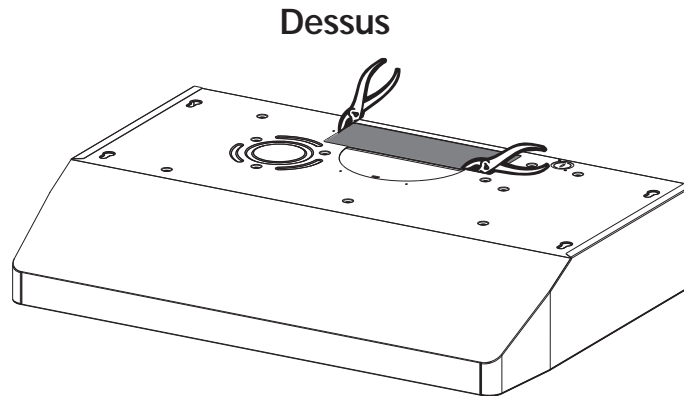
4 Raccordez le conduit métallique rond de 7 pouces au capuchon mural / capuchon de toit acheté séparément, puis fixez le conduit.

Rendez-vous à la page 53

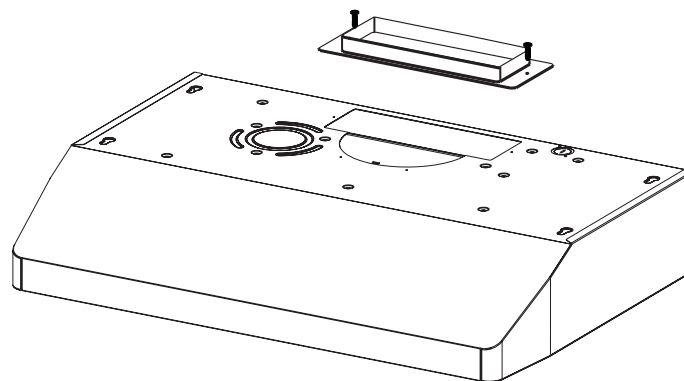
CONDUITS MÉTALLIQUES RECTANGULAIRES DE 3 1/4 X 10 PO SUR LE DESSUS



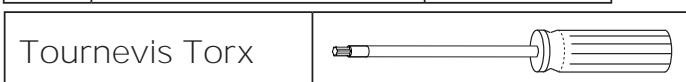
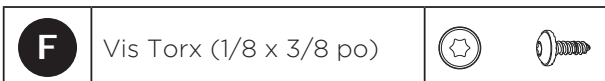
- 1 Choisissez la sortie d'air supérieure rectangulaire ou la sortie d'air arrière rectangulaire et coupez à l'endroit indiqué (voir la page 52 pour la sortie arrière)



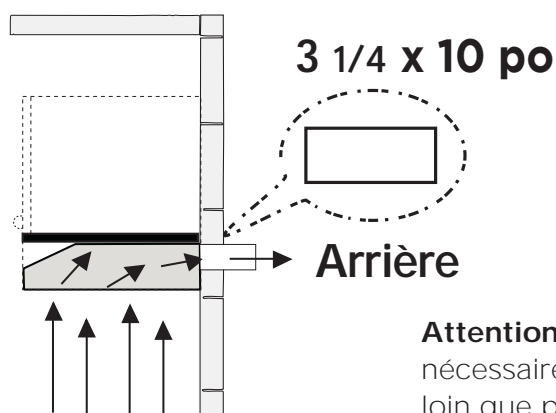
- 2 Installez la sortie d'air rectangulaire incluse avec deux vis **F**.



- 3 Raccordez le conduit métallique au capuchon mural / capuchon de toit acheté séparément, puis fixez le conduit.



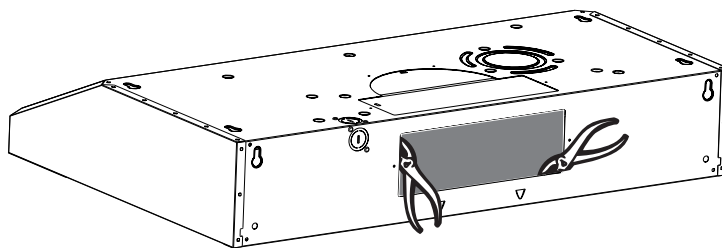
CONDUITS MÉTALLIQUES RECTANGULAIRES DE 3 1/4 X 10 PO À L'ARRIÈRE



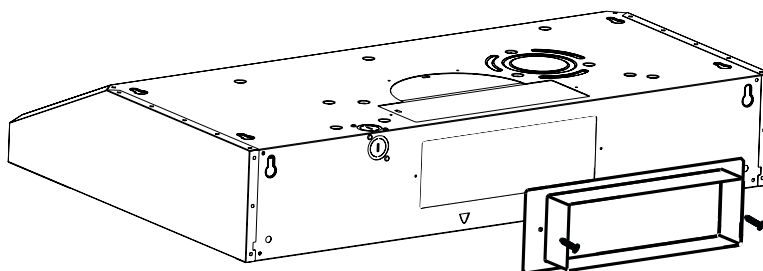
Attention : si un coude est nécessaire, installez-le aussi loin que possible de l'ouverture d'évacuation de la hotte.

- 1 Utilisez la sortie d'air arrière et coupez à l'endroit indiqué.

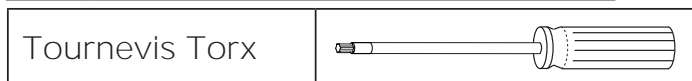
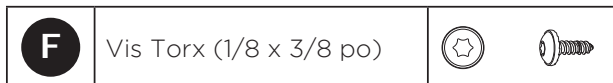
Arrière



- 2 Installez la sortie d'air rectangulaire incluse avec deux vis **F**.



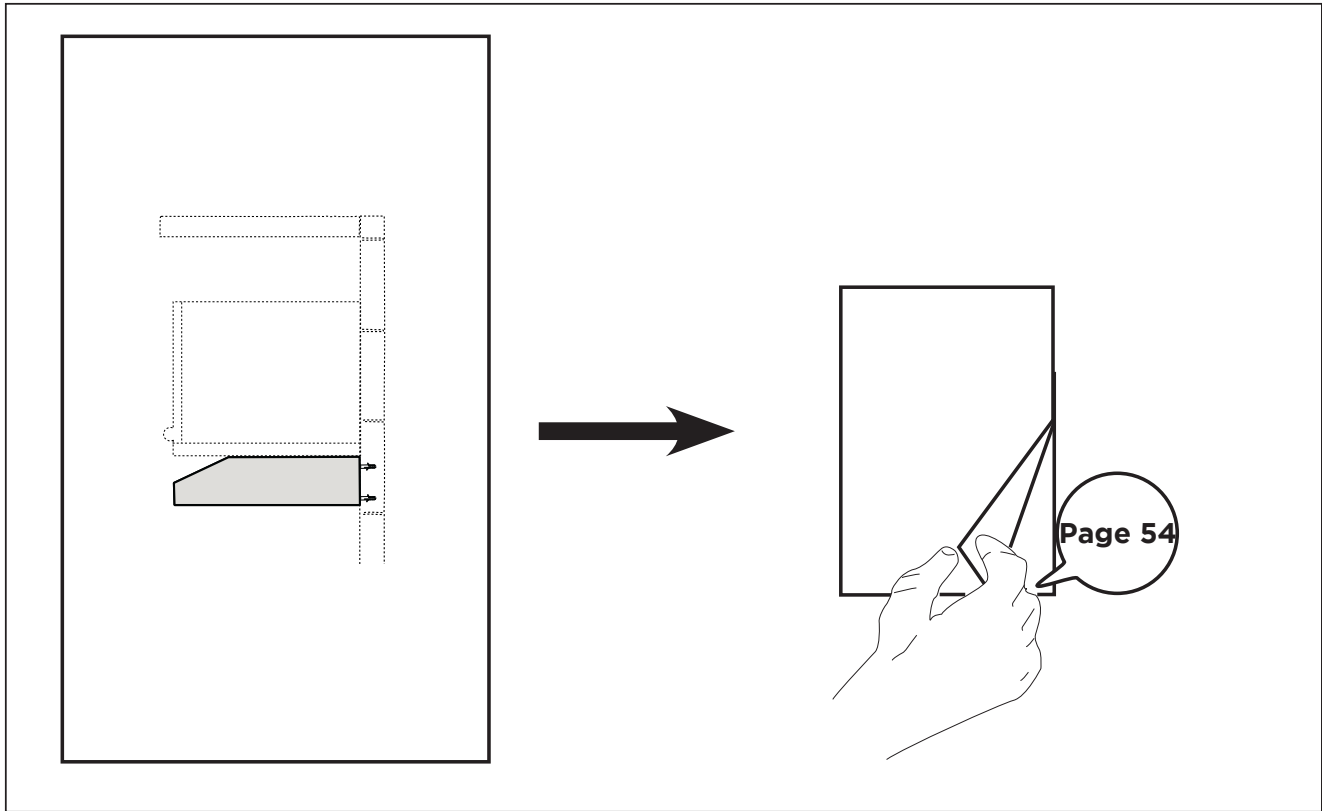
- 3 Raccordez le conduit métallique au capuchon mural / capuchon de toit acheté séparément, puis fixez le conduit.



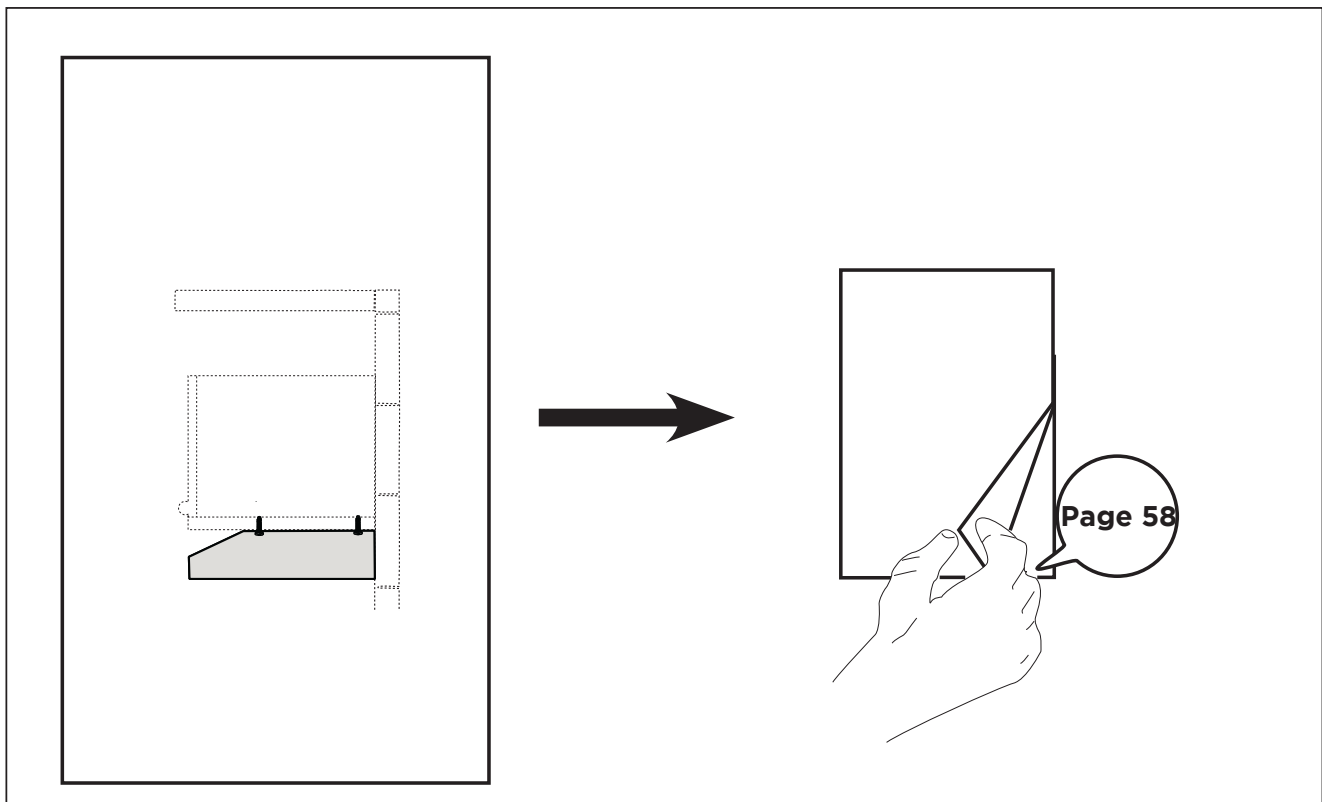
Rendez-vous à la page 53

CHOIX DE LA MÉTHODE DE MONTAGE

Installation pour montage mural



Installation pour montage sous cabinet

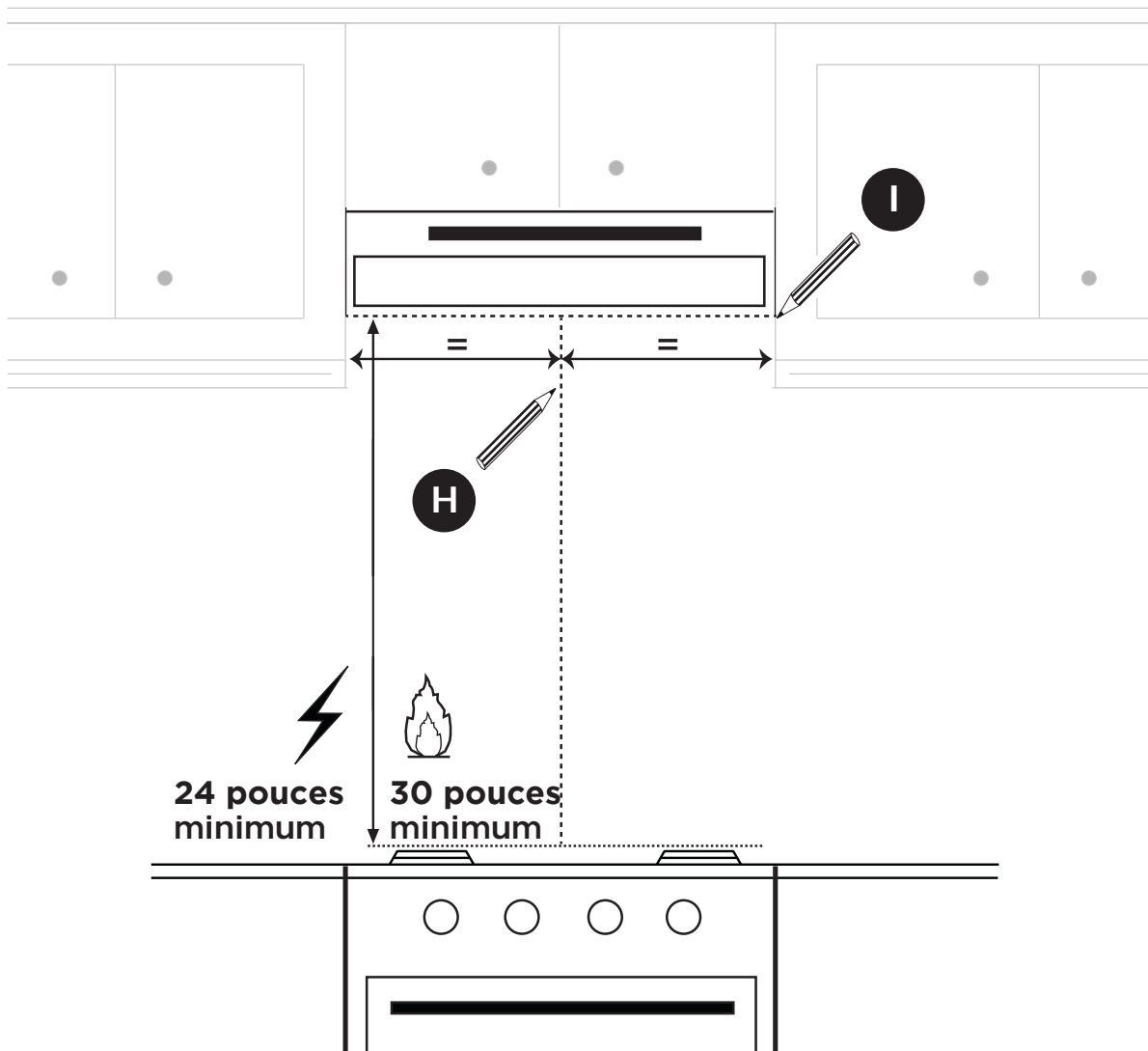


MONTAGE DE LA HOTTE SUR UN MUR

1 TRACEZ LES LIGNES DE PLACEMENT

Tracez une ligne verticale **H** entre le mur de soutien arrière et le plafond ou la limite supérieure, au centre de la zone dans laquelle la hotte sera installée.

Tracez une ligne horizontale **I** à partir de l'emplacement du bord inférieur de la hotte, jusqu'à un minimum de 24 pouces au-dessus d'une surface de cuisson électrique ou de 30 pouces au-dessus d'une surface de cuisson au gaz.



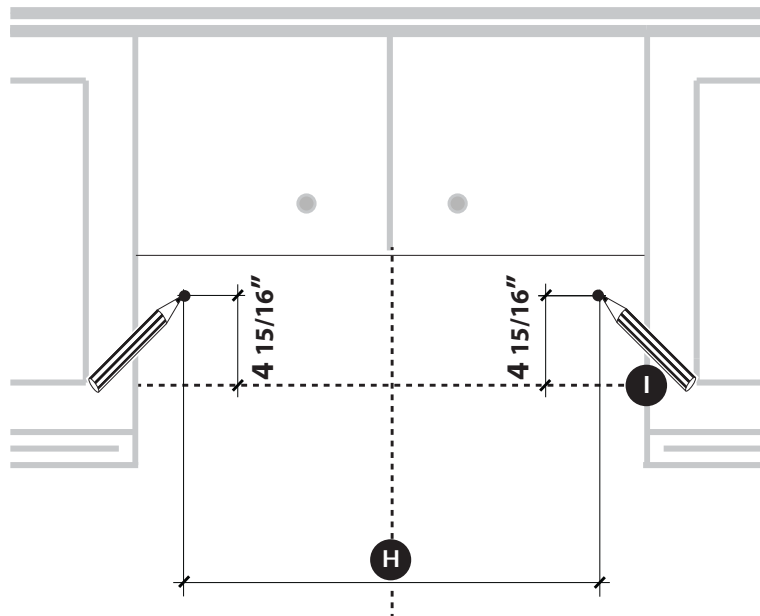
24 POUCES MINIMUM AU-DESSUS D'UNE SURFACE DE CUISSON ÉLECTRIQUE / 30 POUCES MINIMUM AU-DESSUS D'UNE SURFACE DE CUISSON AU GAZ

MONTAGE DE LA HOTTE SUR UN MUR

2

Marquez l'emplacement des ancrages supérieurs sur le mur.

Marquez le mur à l'endroit indiqué à 12,5 cm (4 15/16 pouces) au-dessus de la ligne horizontale à la distance **I** à **J** gauche et à droite de la ligne verticale **H**.

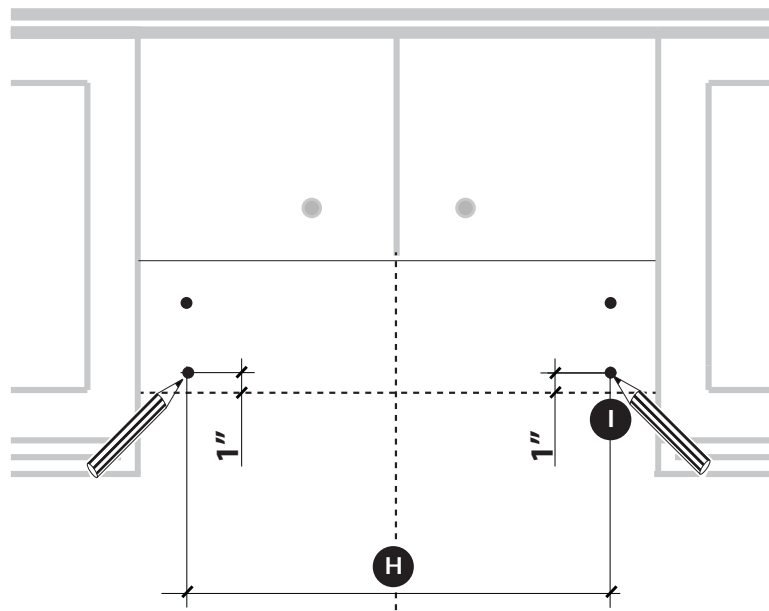


J 30 po = 27 3/8 po
36 po = 33 3/8 po

3

Marquez l'emplacement des ancrages inférieurs sur le mur.

Effectuez une marque à 2,5 cm (1 po) sous l'étape 2. Ancrages supérieurs. Assurez-vous que les marques sont horizontales les unes par rapport aux autres.



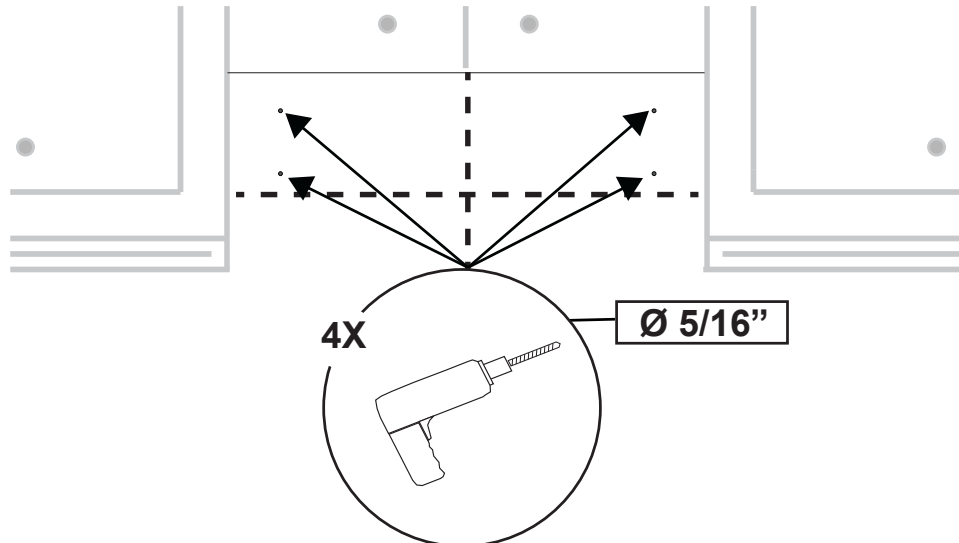
J 30 po = 27 3/8 po
36 po = 33 3/8 po

MONTAGE DE LA HOTTE SUR UN MUR

4

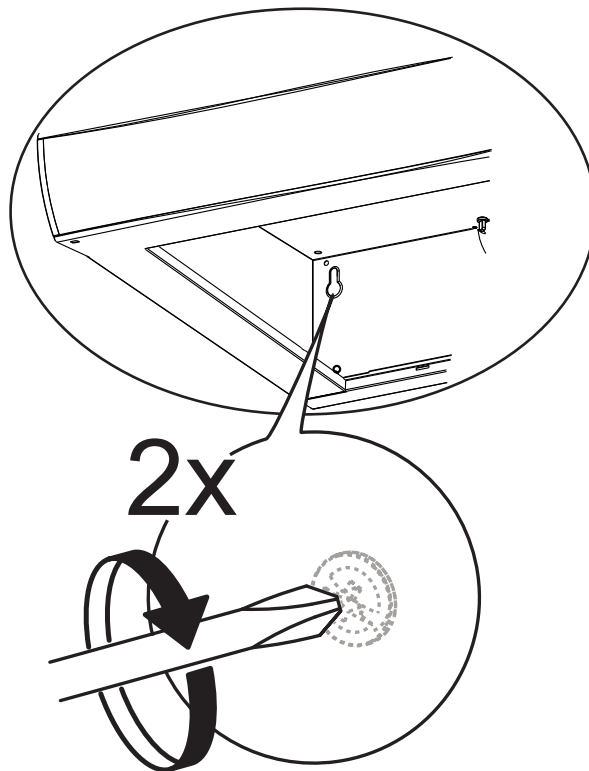
Percez un trou de 3/16 po directement dans le mur aux points centraux marqués à l'étape 3.

Si les emplacements des fixations ne sont pas alignés avec les montants, insérez les chevilles murales achetées dans les trous.



5

Dans les trous supérieurs, utilisez deux des vis fournies **E** pour fixer le corps de la hotte au mur.

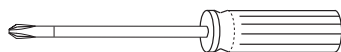


E

Vis Pozi (3/16 x 1 15/16 po)



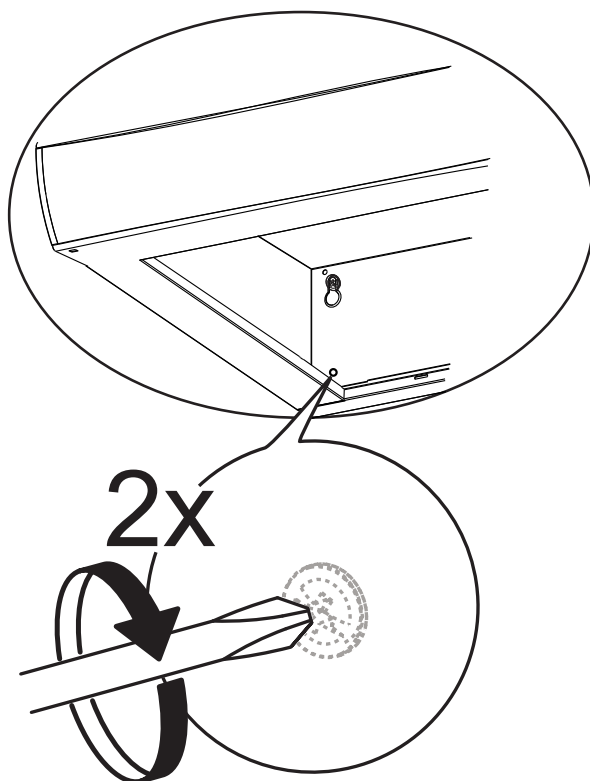
Tournevis Pozi




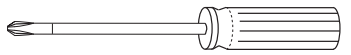
MONTAGE DE LA HOTTE SUR UN MUR

6

À l'aide de deux vis restantes **E**, ancrez la hotte dans les trous inférieurs, comme indiqué.



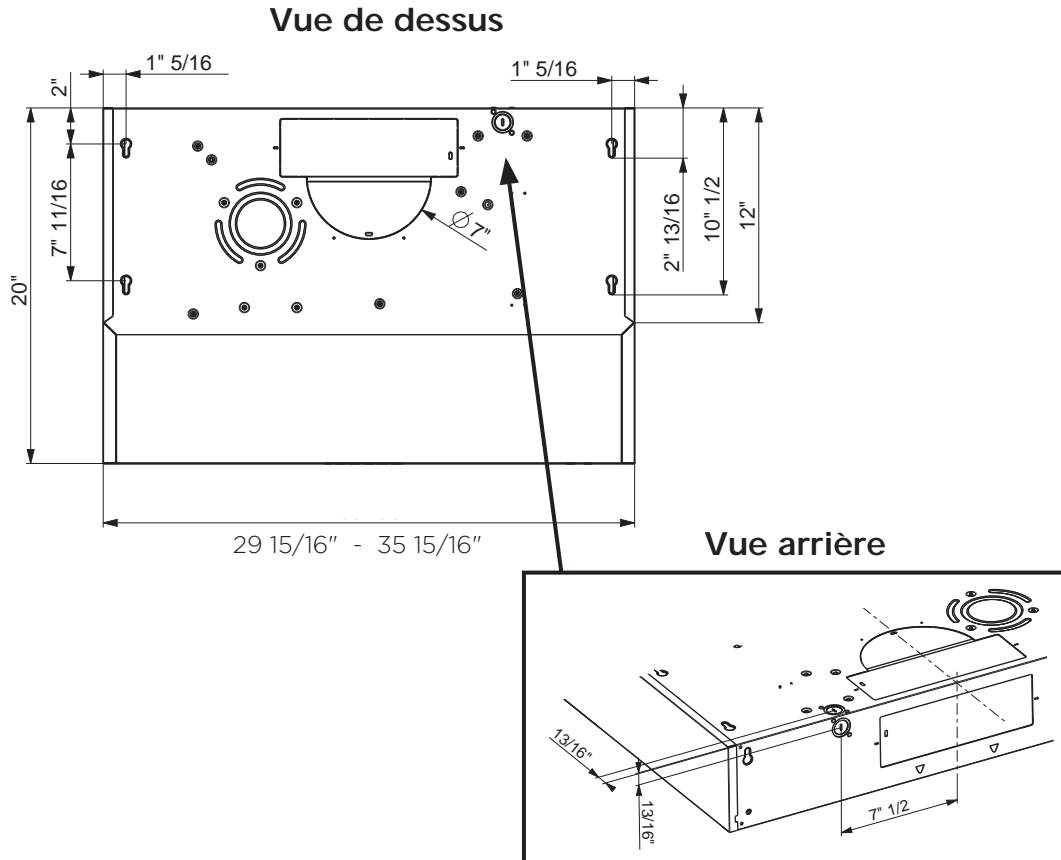
E	Vis Pozi (3/16 x 1 15/16 po)		
----------	------------------------------	---	--

Tournevis Pozi	
----------------	---

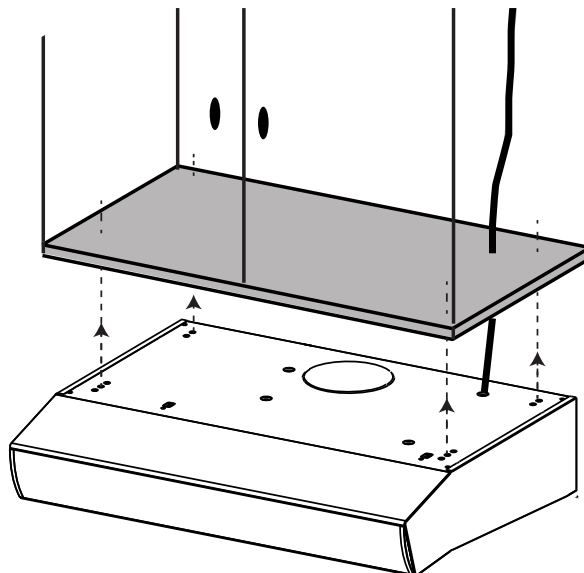
ATTENTION! Pour les installations qui ont un fond encastré, des bandes de bois de 1 x 2 x 12 pouces (longueur approximative) devront être achetées et installées pour fournir une zone de montage de niveau. Les vis de montage mural 12C peuvent fonctionner comme des attaches de fixation, sinon 4 vis à bois à tête plate doivent être achetées et utilisées pour ce type d'installation.

MONTAGE DE LA HOTTE SOUS UN CABINET DE CUISINE

- 1 Localisez le trou sur la hotte pour le cordon d'alimentation (voir la rubrique « CHOISISSEZ ENTRÉES DÉFONÇABLES VERTICALES OU HORIZONTALES »), puis faites passer le cordon dans le trou approprié.



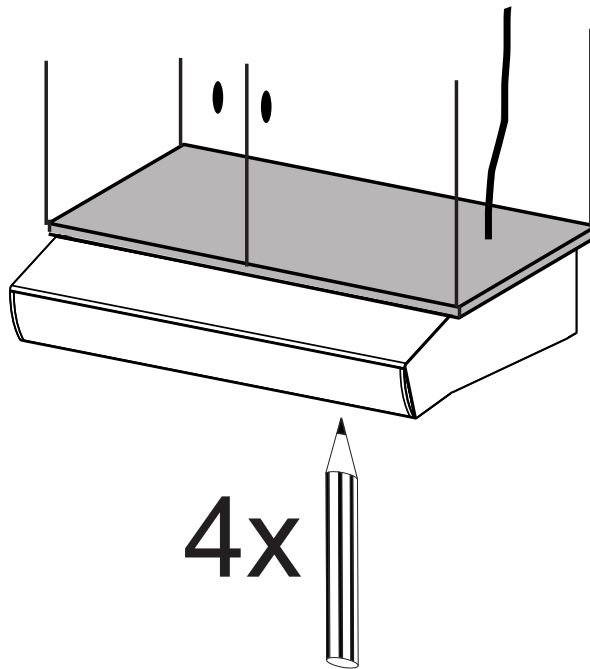
- 2 Soulevez la hotte jusqu'à ce qu'elle entre en contact avec le cabinet, puis faites passer le cordon d'alimentation à travers les trous appropriés de la hotte et du cabinet, jusqu'à la source d'alimentation.



MONTAGE DE LA HOTTE SOUS UN CABINET DE CUISINE

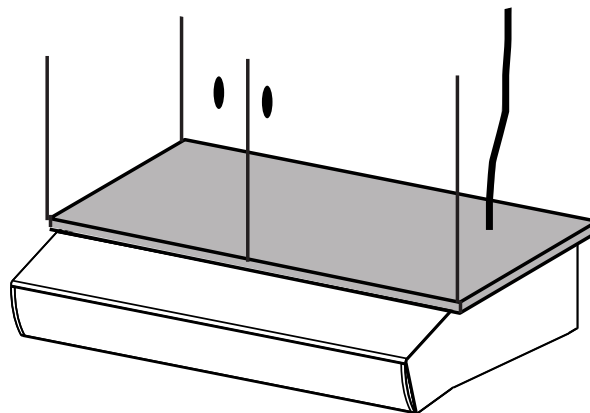
3

Marquez les trous pour fixer la hotte au cabinet. Vérifiez la mesure à l'aide du schéma de la page précédente.



4

Fixez le corps de la hotte avec les 4 vis **E** du bas fournies avec la hotte.



E

Vis Pozi (3/16 x 1 15/16 po)



Tournevis Pozi



BRANCHEMENTS ÉLECTRIQUES

1 Connexion à l'alimentation électrique de la maison.

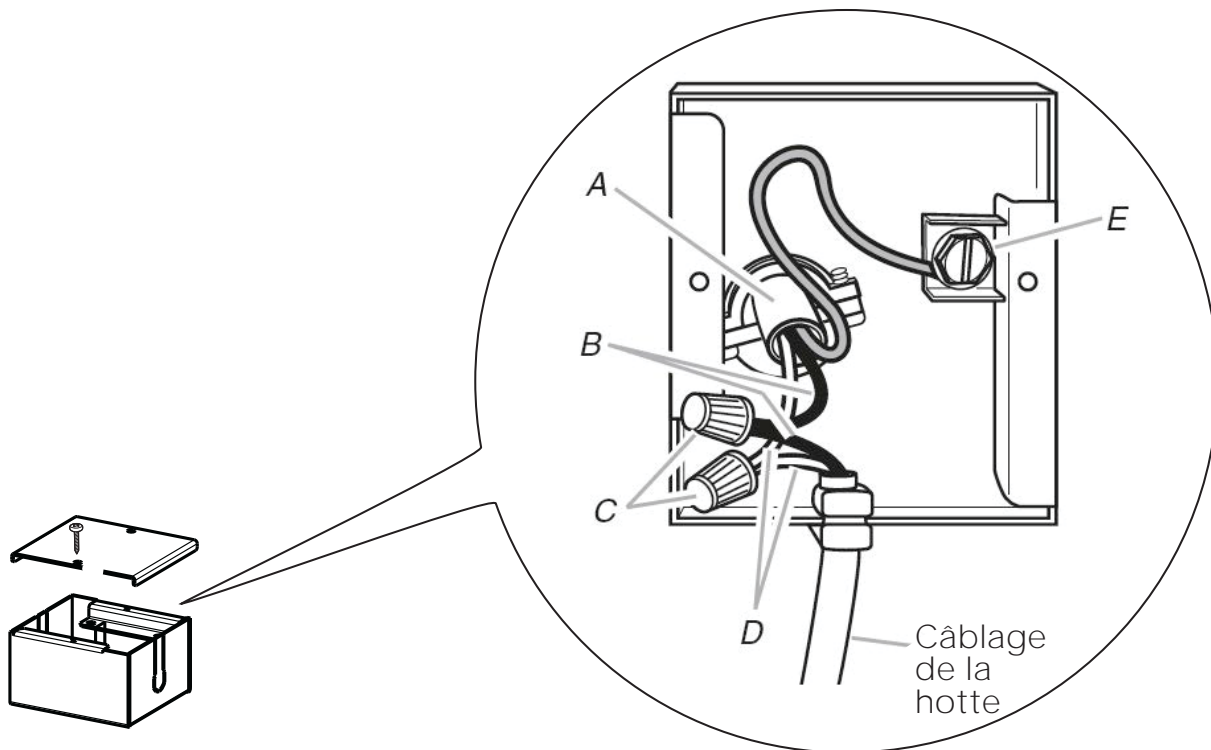
Attention! Laissez le courant de la maison coupée jusqu'à ce que l'installation soit terminée.

2

Faites passer le câble d'alimentation à travers l'entrée défonçable.

Connexions du boîtier de câblage.

- Raccordez le fil blanc du bloc d'alimentation (**A**) au fil blanc de la hotte (**D**) à l'aide d'un connecteur de type à visser.
- Raccordez le fil noir du bloc d'alimentation (**A**) au fil noir de la hotte (**D**) à l'aide d'un connecteur de type à visser.
- Raccordez le fil de masse vert ((**E**) (vert et jaune) sous la vis de mise à la masse.






3

Remettez en place le couvercle du compartiment de câblage sur place et les filtres à graisse

UTILISATION DES COMMANDES

POUR DE MEILLEURS RÉSULTATS

Démarrez la hotte plusieurs minutes avant la cuisson, afin d'obtenir une bonne circulation d'air. Laissez la hotte fonctionner pendant plusieurs minutes après la fin de la cuisson, afin d'éliminer toute fumée et odeur de cuisine.

Bouton	Fonction
	Bouton d'arrêt du ventilateur : éteint le ventilateur. Le ventilateur peut être actionné en appuyant sur l'un quelconque des boutons de réglage du ventilateur.
	Maintenez ce bouton enfoncé pendant 2 secondes pour activer la fonction d'arrêt différé qui maintient le ventilateur en marche pendant 15 minutes, puis s'arrête automatiquement.
1	Boutons de réglage du ventilateur : basse vitesse.
2	Boutons de réglage du ventilateur : vitesse moyenne.
3/i	Boutons de réglage du ventilateur : grande vitesse.
3/i	Maintenez le bouton enfoncé pendant 2 secondes pour activer la VITESSE INTENSIVE, qui est programmée pour fonctionner pendant 10 minutes. À la fin de cette période, le ventilateur reviendra automatiquement à la vitesse réglée auparavant. Cette fonction est utile pour gérer les pics de fumées de cuisson.
	Bouton d'éclairage : interrupteur marche/arrêt pour les lumières LED. Appuyez sur le bouton LIGHT pour allumer la lumière et à nouveau pour l'éteindre.

ENTRETIEN DES FILTRES

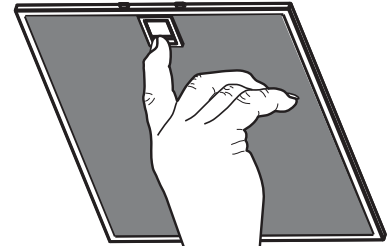
NETTOYAGE DES FILTRES À GRAISSE EN MÉTAL

Les filtres à graisse en métal peuvent être nettoyés dans une solution détergente chaude ou lavés au lave-vaisselle.

Ils doivent être nettoyés tous les 2 mois, ou plus fréquemment si l'utilisation de la hotte est particulièrement intense.

1

Retirez le filtre en tirant le loquet vers l'avant et en le tirant en même temps vers le bas.

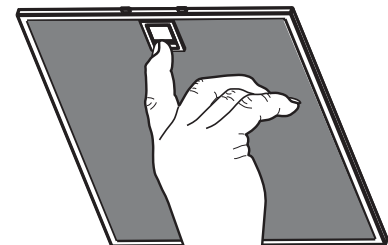


2

Lavez le filtre sans le plier. Laissez-le sécher complètement avant de le réinstaller. Si la surface du filtre change de couleur au fil du temps, son efficacité n'en sera pas affectée.

3

Pour remettre le filtre en place, poussez le filtre en position vers le haut tout en tirant le loquet vers l'avant, puis relâchez le loquet pour le verrouiller en place.



REMARQUES :

- Le nettoyage au lave-vaisselle peut ternir la finition des filtres à graisse en métal.
- Assurez-vous que les filtres sont complètement secs avant de les remettre en place dans la hotte.

NETTOYAGE DES SURFACES EXTERNES

Veuillez noter que les abrasifs et les agents à récurer peuvent rayer les surfaces de finition de la hotte et ne doivent donc pas être utilisés.

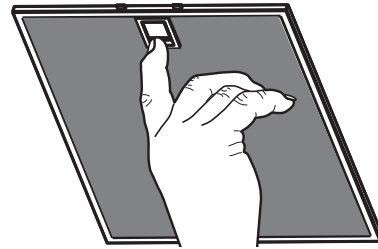
Instructions de nettoyage pour les surfaces de finition en acier inoxydable : Nettoyez les surfaces externes avec un nettoyant pour acier inoxydable du commerce.

REPLACEMENT DU FILTRE À CHARBON ACTIF

Les filtres à charbon actif ne sont pas lavables et ne peuvent pas être régénérés. Ils doivent être remplacés environ tous les 4 mois de fonctionnement, ou plus fréquemment en cas d'utilisation intensive.

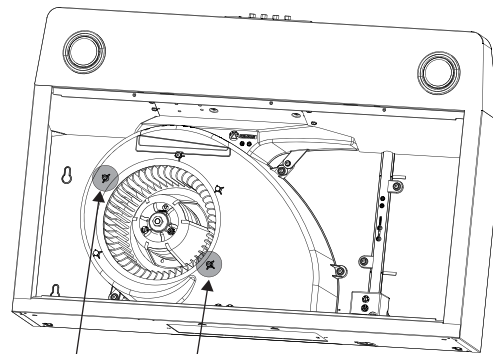
1

Retirez les filtres à graisse.



2

Retirez l'ancien filtre à charbon actif en dévissant les deux vis, puis installez le nouveau filtre en utilisant les deux mêmes trous de vis.



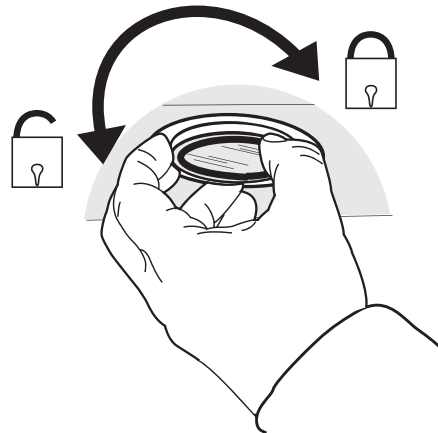
3

Remettez en place les filtres à graisse.

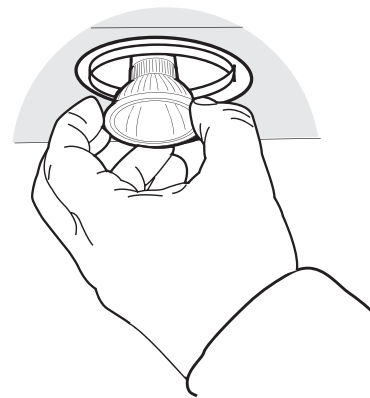


REPLACEMENT DES LAMPES

- 1 Lampas LED type GU10 de 5 W**
Retirez l'ampoule (voir l'illustration).



- 2** Remplacez l'ampoule par une ampoule neuve du même type, en vous assurant d'insérer correctement les deux broches dans les logements du support de lampe, puis en la tournant pour la verrouiller en place.

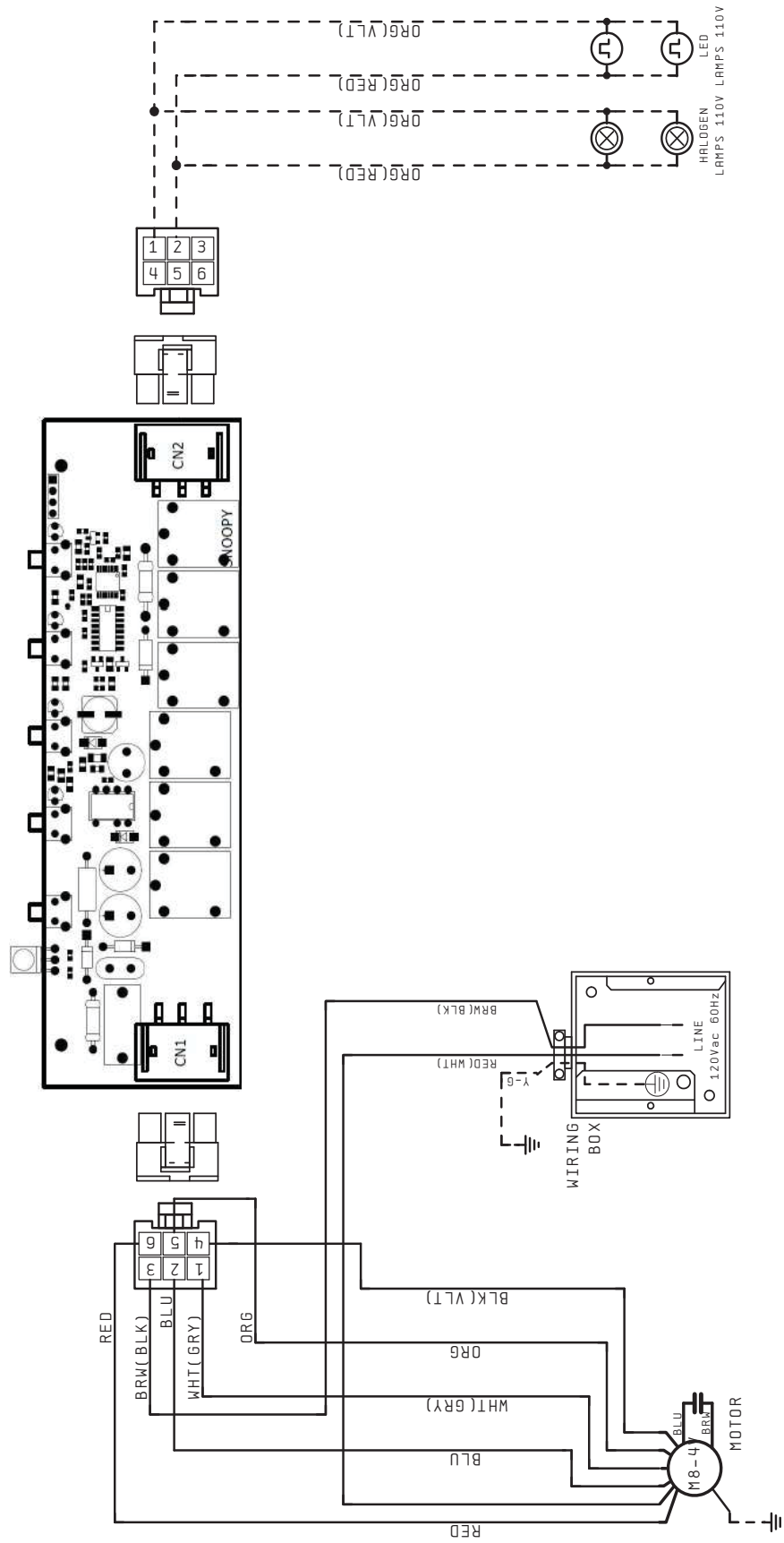


Attention : les ampoules peuvent être chaudes; veuillez attendre quelques minutes avant de les remplacer.

Ampoules à DEL à ballast intégré GU10 – certifiées à la norme UL 1993/nmx-j-578/1-ance/csa c22.2 n° 1993



SCHÉMA DE CÂBLAGE



GARANTIE



FABER CONSUMER WARRANTY & SERVICE

All Faber products are warranted against any defect in materials or workmanship for the original purchaser for a period of 1 year from the date of original purchase (requires proof of purchase). This warranty covers labor and replacement parts. Faber, at its option, may repair or replace the product or components necessary to restore the product to good working condition. To obtain warranty service, contact the dealer from whom you purchased the range hood, or the local Faber distributor. If you cannot identify a local Faber distributor, contact us at (508) 358-5353 for the name of a distributor in your area.

The following is not covered by Faber's warranty:

1. Service calls to correct the installation of your range hood, to instruct you how to use your range hood, to replace or repair house fuses or to correct house wiring or plumbing.
2. Service calls to repair or replace range hood light bulbs, fuses or filters. Those consumable parts are excluded from warranty coverage.
3. Repairs when your range hood is used for other than normal, single-family household use.
4. Damage resulting from accident, alteration, misuse, abuse, fire, flood, acts of God, improper installation, installation not in accordance with electrical or plumbing codes or Faber documentation, or use of products not approved by Faber.
5. Replacement parts or repair labor costs for units operated outside the United States or Canada, including any non-UL or C-UL approved Faber range hoods.
6. Repairs to the hood resulting from unauthorized modifications made to the range hood.
7. Expenses for travel and transportation for product service in remote locations and pickup and delivery charges. Faber range hoods should be serviced in the home.

THIS WARRANTY DOES NOT ALLOW RECOVERY OF INCIDENTAL OR CONSEQUENTIAL DAMAGES, INCLUDING, WITHOUT LIMITATION, DIRECT, INDIRECT, INCIDENTAL, SPECIAL OR CONSEQUENTIAL DAMAGES, PERSONAL INJURY/WRONGFUL DEATH OR LOST PROFITS FABER WARRANTY IS LIMITED TO THE ABOVE CONDITIONS AND TO THE WARRANTY PERIOD SPECIFIED HEREIN AND IS EXCLUSIVE. EXCEPT AS EXPRESSLY SPECIFIED IN THIS AGREEMENT, FABER DISCLAIMS ALL EXPRESS OR IMPLIED CONDITIONS, REPRESENTATIONS, AND WARRANTIES INCLUDING, WITHOUT LIMITATION, ANY IMPLIED WARRANTIES OF MERCHANTABILITY OR FITNESS FOR A PARTICULAR PURPOSE.

This warranty gives you specific legal rights that may vary from state to state.

Model#: _____

Serial #: _____

CONTENIDO

Sección	Página
Instrucciones de seguridad importantes	68
Dimensiones de la campana de cocina	72
Requisitos de altura de la instalación	73
Partes	74
Herramientas necesarias	75
Antes de la instalación retire los materiales de embalaje	76
Solo para el mercado canadiense	77
Elegir el prepunzonado de conexión eléctrica vertical u horizontal	78
Extracción con conducto o sin conducto	80
Opción de recirculación sin conducto	81
Con conducto - salida redonda de 7"	82
Con conducto - salida rectangular en la parte superior de 3 1/4" x 10"	84
Con conducto - salida rectangular en la parte trasera de 3 1/4" x 10"	85
Elegir el método de montaje	86
Montaje de la campana de cocina en la pared	87
Montaje de la campana de cocina bajo el mueble	91
Conexión a la electricidad	93
Mandos de funcionamiento	94
Cuidado de los filtros	95
Sustitución de las lámparas	97
Diagrama de cableado	98
Garantía	99

INSTRUCCIONES DE SEGURIDAD IMPORTANTES

LEA Y GUARDE ESTAS INSTRUCCIONES ANTES DE COMENZAR A INSTALAR ESTA CAMPANA EXTRACTORA

ADVERTENCIA: - PARA REDUCIR EL RIESGO DE INCENDIO DE LA CAMPANA POR GRASA:

- a) **Nunca deje las unidades de superficie desatendidas en ajustes altos. Los derrames por ebullición pueden causar humos y derrames de grasa que pueden incendiarse. Caliente los aceites lentamente en ajustes bajos o medios.**
- b) **Siempre encienda la campana cuando cocine a fuego alto o cuando flamee alimentos (por ej. Crepes Suzette, Cherries Jubilee, Peppercorn Beef Flambé).**
- c) **Limpie los ventiladores con frecuencia. No se debe permitir que la grasa se acumule en el ventilador o en el filtro.**
- d) **Use una olla de tamaño adecuado. Utilice siempre utensilios de cocina apropiados para el tamaño del elemento de superficie.**

ADVERTENCIA: - PARA REDUCIR EL RIESGO DE LESIONES A PERSONAS EN CASO DE INCENDIO DE GRASA EN LA CAMPANA, TENGA EN CUENTA LO SIGUIENTE*:

- a) **APAGUE LAS LLAMAS con una tapa ajustada, bandeja para hornear galletas o bandeja de metal, luego apague el quemador. TENGA CUIDADO PARA EVITAR QUEMADURAS. Si las llamas no se apagan inmediatamente, EVACÚE Y LLAME AL DEPARTAMENTO DE BOMBEROS.**
- b) **NUNCA RECOJA UNA OLLA EN LLAMAS - Puede quemarse.**
- c) **NO USE AGUA, incluidos paños de cocina húmedos o toallas; se producirá una violenta explosión de vapor.**
- d) **Use un extintor SOLAMENTE si:**
 1. **Usted sabe que tiene un extintor Clase ABC y ya sabe cómo operarlo.**
 2. **El incendio es pequeño y está contenido en el área donde comenzó.**
 3. **Se llama al departamento de bomberos.**
 4. **Puede luchar contra el incendio con su espalda hacia una salida.**

* Basado en "Consejos de seguridad contra incendios en la cocina" publicado por NFPA

ADVERTENCIA - PARA REDUCIR EL RIESGO DE DESCARGA ELÉCTRICA O INCENDIO, no use este ventilador con ningún dispositivo de control de velocidad de estado.

ADVERTENCIA - PARA REDUCIR EL RIESGO DE INCENDIOS, DESCARGAS ELÉCTRICAS O LESIONES PERSONALES, OBSERVE LO SIGUIENTE:

1. **Use esta unidad solo de la manera prevista por el fabricante. Si tiene alguna pregunta, comuníquese con el fabricante.**
2. **Antes de reparar o limpiar la unidad, apague el equipo en el panel de servicio y bloquee los medios de desconexión del servicio para evitar que la energía se encienda accidentalmente. Cuando los medios de desconexión del servicio no se puedan bloquear, fije de forma segura un dispositivo de advertencia prominente, como una etiqueta, al panel de servicio.**

PRECAUCIÓN: Para uso general de ventilación solamente. No lo use para descargar materiales y vapores peligrosos o explosivos.

ADVERTENCIA - PARA REDUCIR EL RIESGO DE INCENDIOS, DESCARGAS ELÉCTRICAS O LESIONES PERSONALES, OBSERVE LO SIGUIENTE:

1. **El trabajo de instalación y el cableado eléctrico deben realizarlo las personas calificadas de acuerdo con todos los códigos y estándares aplicables, incluida la construcción con clasificación de incendio.**
2. **Se necesita suficiente aire para la combustión adecuada y el escape de gases a**

través del tubo de humos (chimenea) del equipo que quema combustible para evitar la retrogresión. Siga las directrices del fabricante del equipo de calefacción y las normas de seguridad tales como los publicados por la National Fire Protection Association (NFPA), la American Society for Heating, Refrigeration and Air Conditioning Engineers (ASHRAE) y las autoridades de los códigos locales.

3. **Al cortar o perforar la pared o el techo, no dañe el cableado eléctrico ni otros servicios ocultos.**
4. **Los ventiladores con conductos siempre deben tener salida al exterior.**

TODAS LAS APERTURAS DE PARED Y PISO DONDE SE INSTALE LA CAMPANA EXTRACTORA DEBEN SER SELLADAS.

Esta campana extractora requiere al menos 24" de espacio libre entre la parte inferior de la campana extractora y la superficie de cocción o encimera. Esta campana ha sido aprobada por UL a esta distancia de la placa.

Esta separación mínima puede ser mayor dependiendo de los códigos de construcción locales. Para placas de gas y cocinas combinadas, se recomienda y puede ser necesario un mínimo de 30 ".

Los gabinetes superiores en ambos lados de esta unidad deben estar a un mínimo de 18" sobre la superficie de cocción o la encimera. Consulte las instrucciones de instalación de la placa o la campana proporcionadas por el fabricante antes de hacer cualquier corte.

INSTALACIÓN EN VIVIENDAS MÓVILES La instalación de esta campana extractora debe cumplir con los Estándares de construcción y seguridad de casas prefabricadas, Título 24 CFR, Parte 3280 (anteriormente Estándar federal para la construcción y seguridad en viviendas móviles, Título 24, HUD, Parte 280). Vea los requisitos eléctricos"

REQUISITOS DE VENTILACIÓN

Determine qué método de ventilación es mejor para su aplicación. Los conductos pueden extenderse a través de la pared o el techo.

La longitud de los conductos y la cantidad de codos se deben mantener al mínimo para proporcionar un rendimiento eficiente. El tamaño de los conductos debe ser uniforme. No instales dos codos juntos. Use cinta adhesiva para sellar todas las juntas en el sistema de conductos. Utilice calafateo para sellar la pared exterior o la abertura del piso alrededor de la tapa.

NO se recomiendan conductos flexibles. Los conductos flexibles crean una contrapresión y turbulencias de aire que reducen en gran medida el rendimiento.

Asegúrese de que haya espacio libre adecuado dentro de la pared o el piso para el conducto de escape antes de hacer los cortes. No corte una vigueta o poste a menos que sea absolutamente necesario. Si se debe cortar una vigueta o poste, entonces se debe construir un marco de soporte.

ADVERTENCIA - Para reducir el riesgo de incendio, use solamente conductos de metal.
PRECAUCIÓN - Para reducir el riesgo de incendio y para descargar adecuadamente el aire, asegúrese de sacar el aire - No expulse los humos en espacios dentro de paredes o techos, áticos, espacios angostos o garajes.

Instalaciones para clima frío

Se debe instalar un registro de tiro adicional para minimizar el flujo de aire frío hacia atrás y se debe instalar un disyuntor térmico no metálico para minimizar la conducción de las temperaturas exteriores como parte del sistema de ventilación. El registro debe estar en el lado del aire frío del interruptor térmico. El interruptor debe estar lo más cerca posible de donde el sistema de ventilación ingrese a la parte calentada de la casa.



ADVERTENCIA

- El sistema de ventilación DEBE terminar fuera del hogar.
- **NO** termine el conducto en un espacio ático o en otro espacio cerrado.
- **NO** use tacos de pared de 4" tipo lavadero.
- **NO** se recomiendan los conductos de tipo flexible.
- **NO** obstruya el flujo del aire de combustión y ventilación.
- El incumplimiento de los requisitos de ventilación puede provocar un incendio.

REQUISITOS ELÉCTRICOS

Se requiere un suministro eléctrico de 120 voltios, 60 Hz solo CA en un circuito separado con fusible de 15 amperios. Se recomienda un fusible de retardo o un cortacircuitos. El fusible se debe dimensionar según los códigos locales de acuerdo con la clasificación eléctrica de esta unidad, tal como se especifica en la placa de número de serie/clasificación ubicada dentro de la unidad, cerca del compartimento de cableado de campo.

INSTALACIÓN ELÉCTRICA CON CAJA DE CABLEADO

ESTA UNIDAD DEBE CONECTARSE CON CABLE DE COBRE SOLAMENTE. Los tamaños de los cables deben cumplir con los requisitos del Código Eléctrico Nacional, ANSI / NFPA 70, última edición, y todos los códigos y ordenanzas locales. El tamaño del cable y las conexiones deben cumplir con la clasificación del equipo. Se pueden obtener copias de la norma enumerada anteriormente en:

National Fire Protection Association
Batterymarch Park
Quincy, Massachusetts 02269

Este electrodoméstico debe conectarse directamente a la desconexión por fusible (o disyuntor) a través de un cable flexible, blindado o no metálico de cobre enfundado. Deje algo de tensión en el cable para poder mover el dispositivo si alguna vez lo necesita. Debe haber un conector de conducto de 1/2 homologado por UL en cada extremo del cable de suministro de energía (en el equipo y en la caja de conexiones).

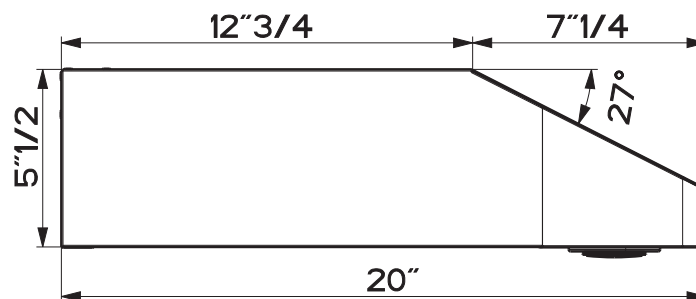
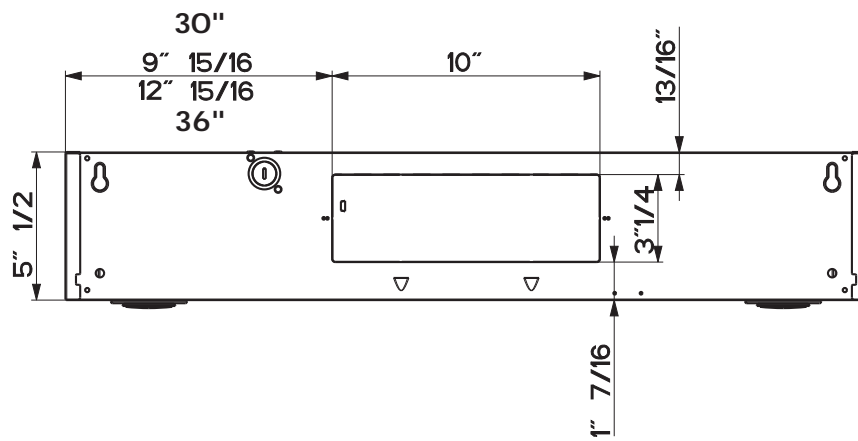
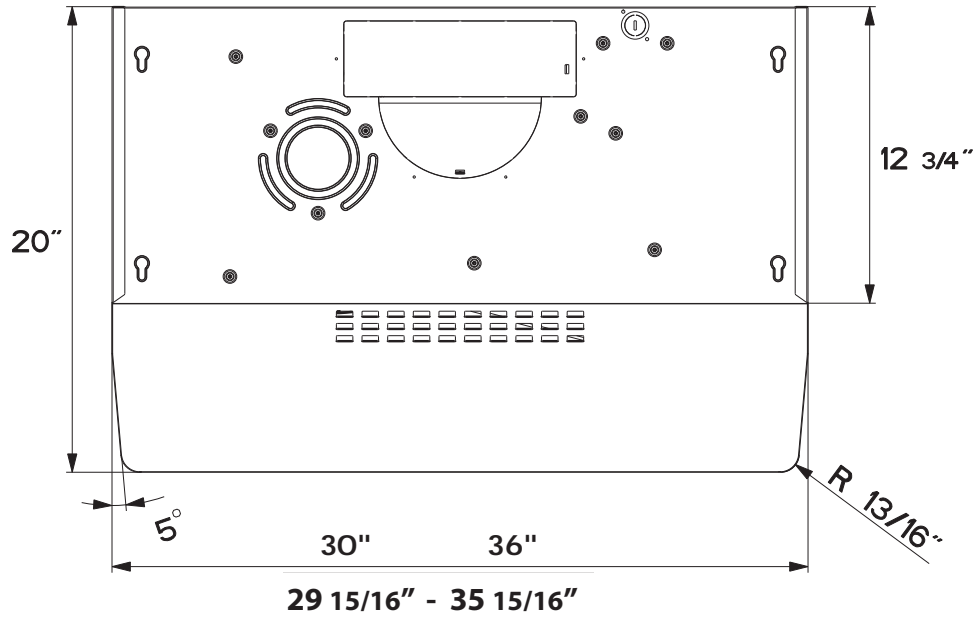
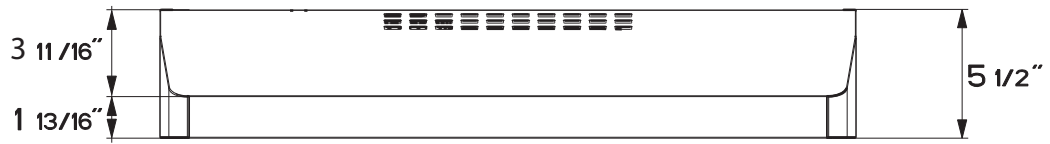
Al hacer la conexión eléctrica, corte un agujero de 1 1/4" en la pared. Un agujero cortado a través de la madera debe lijarse hasta que quede liso. Un agujero a través del metal debe tener un ojal.



ADVERTENCIA

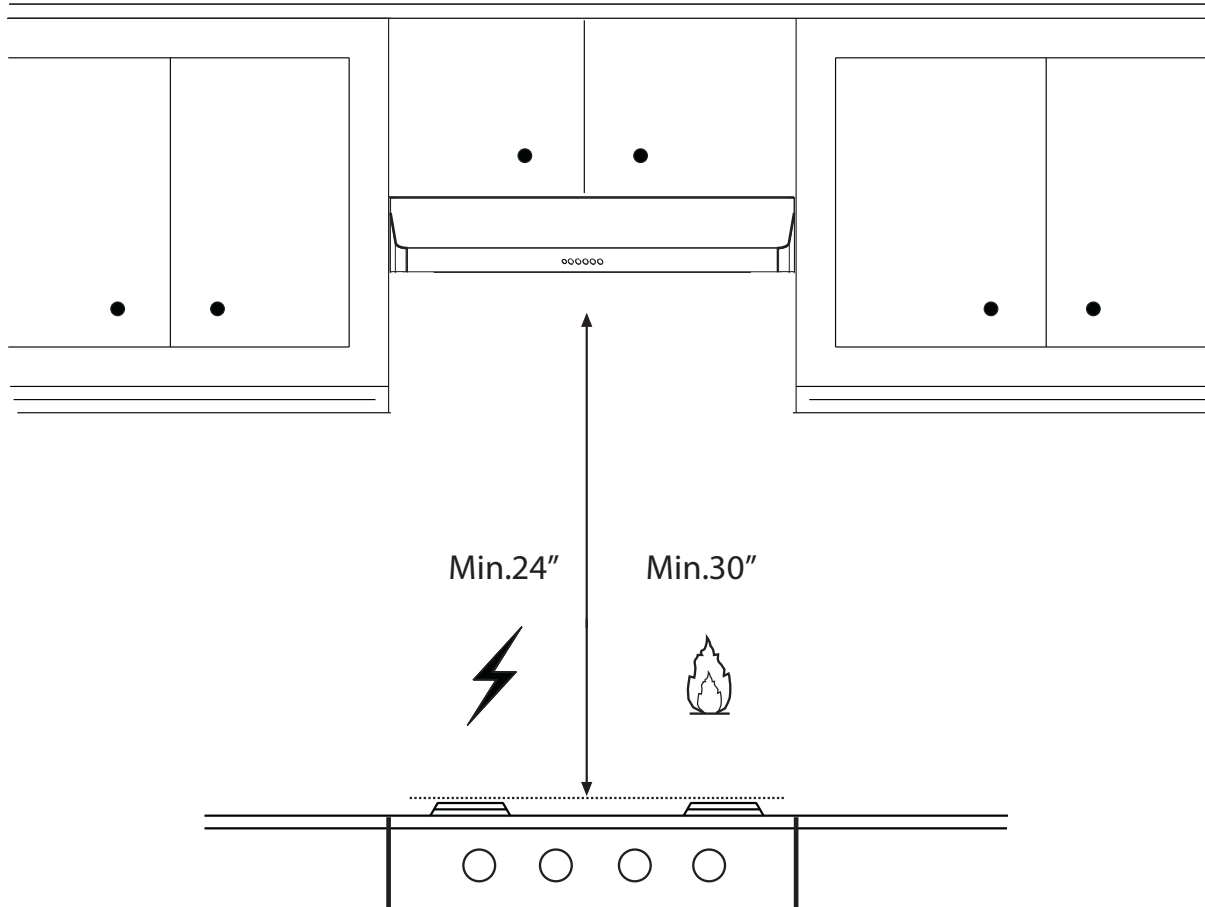
- Esta campana extractora requiere conexión eléctrica de tierra.
- Si la tubería de agua fría está interrumpida por juntas de plástico, de materiales no metálicos u otros materiales, NO la utilice para conexión a tierra.
- NO conecte a tierra a una tubería de gas.
- NO tenga un fusible en el circuito neutro o de tierra. Un fusible en el circuito neutro o de tierra podría provocar una descarga eléctrica.
- Consulte con un electricista calificado si tiene dudas acerca de si la campana extractora está correctamente conectada a tierra.
- El incumplimiento de los requisitos eléctricos puede provocar un incendio.

DIMENSIONES DE LA CAMPANA DE COCINA



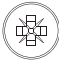



REQUISITOS DE ALTURA DE LA INSTALACIÓN

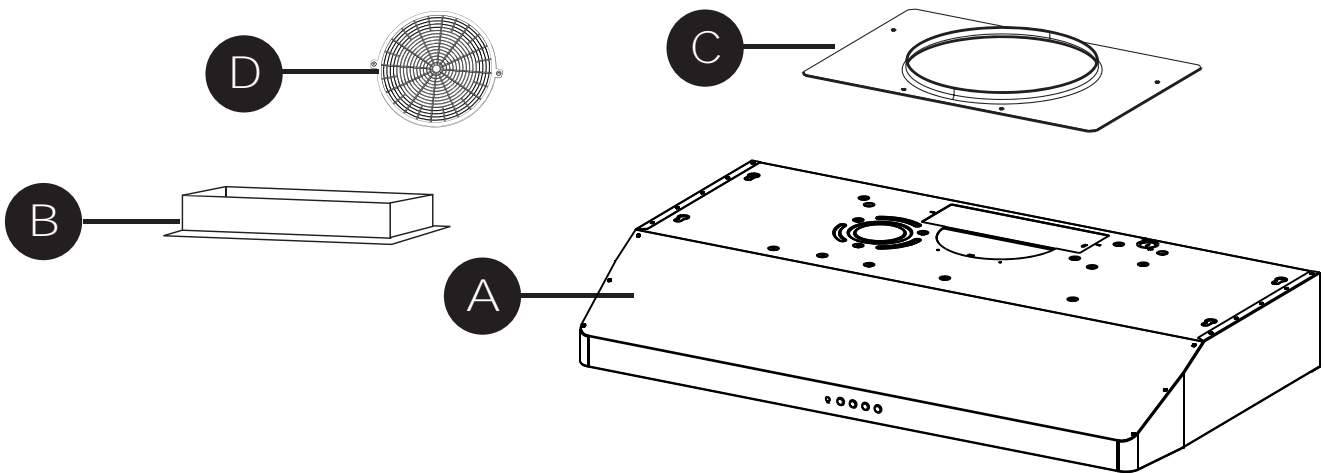
MÍN. 24" SOBRE PLACA ELÉCTRICA / MÍN. 30" SOBRE PLACA DE GAS



PIEZAS

PIEZAS INCLUIDAS

REF.	PIEZA		
A	Cuerpo de la campana - Incluye controles, luz, filtros, ventilador		1
B	Registro (3 1/4" x 10")		1
C	Brida redonda de 7"		1
D	Rejilla (solo para el mercado canadiense)		1
REF	PIEZA		
E	Tornillos Pozi (3/16" x 1 15/16")	 	4
F	Tornillos Torx (1/8" x 3/8")	 	4



Accesorios disponibles

Filtro de carbón activado (**FILTER5**)


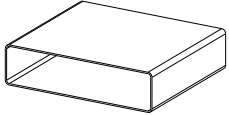




Nota: El Filtro de Carbón se fija con dos tornillos (Ver página 81 y Figura C).
Los Filtros de Carbón deben adquirirse únicamente con distribuidores Faber autorizados.



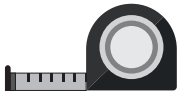

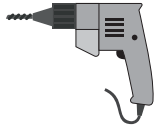
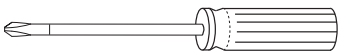


Mando a distancia inalámbrico-**REMCTRL2**

PIEZAS (cont.)

PIEZAS NECESARIAS

PIEZA	
Conducto metálico redondo de 7"	
Conductos rectangulares de 3 1/4 "x 10"	
Registro de 7"	
Conectores de cable.	
Cable de suministro de energía.	
Tacos para pared de yeso u otros sujetadores de pared adecuados según su instalación.	
La tapa de la pared/del techo deben comprarse por separado	

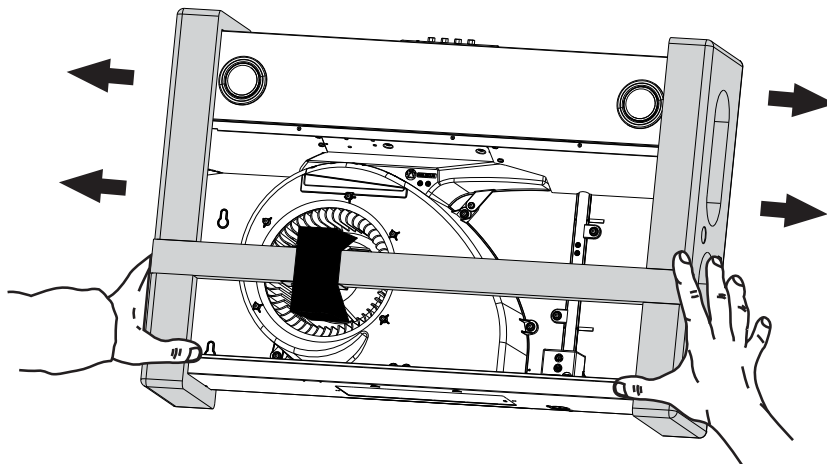
HERRAMIENTAS NECESARIAS

HERRAMIENTA	
Cinta métrica	
Lápiz	
Taladro eléctrico con una broca de 5/16"	
Destornillador Phillips	
Destornillador Torx	
Destornillador Pozi	

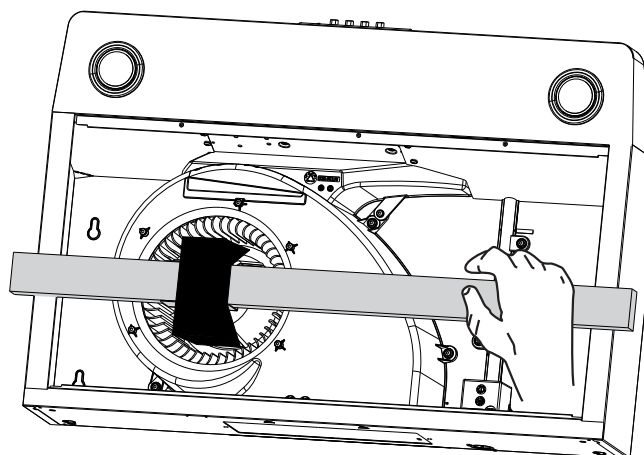
ANTES DE LA INSTALACIÓN RETIRE LOS MATERIALES DE EMBALAJE

1 Retire el embalaje lateral.

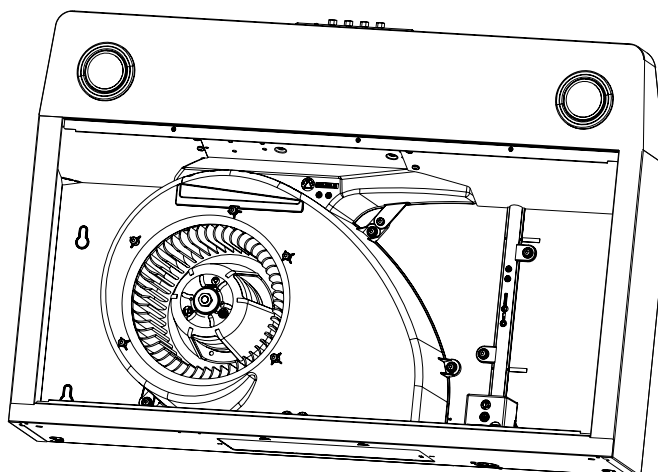
Precaución:
No levante la campana usando la barra de madera



2 Retire el embalaje de espuma y la barra de madera.



3 Lista para la instalación.



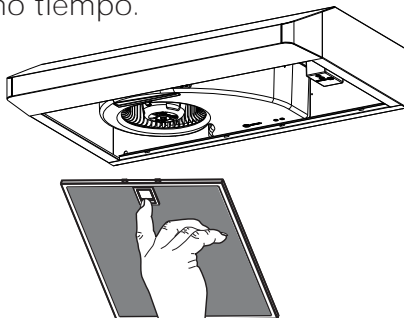


SOLO PARA EL MERCADO CANADIENSE

1

Solo para instalaciones con conductos:

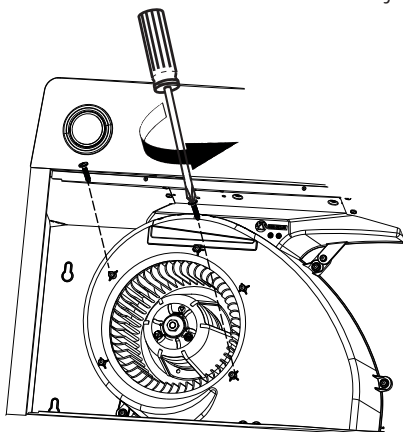
Retire los filtros de uno en uno empujándolos hacia la parte posterior de la campana y tirando hacia abajo al mismo tiempo.



2

Retire los tornillos como se muestra en la imagen.

Retire dos de los tornillos de la carcasa del ensamblaje del motor como se muestra en la imagen.

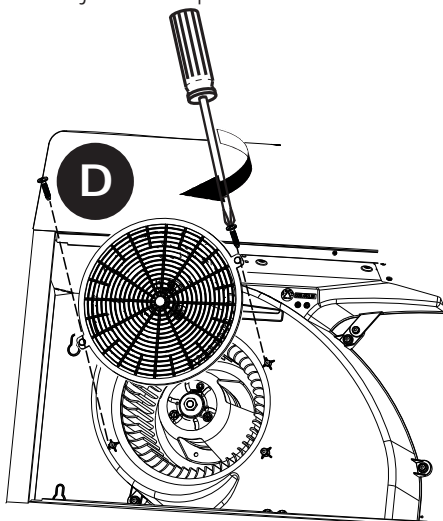


3

Instale los tornillos como se muestra en la imagen.

Instale la rejilla **D** con los dos tornillos que retiró en el paso 2. Atornille la rejilla de protección en el lugar que se muestra en la imagen de abajo. (La ubicación correcta tiene un corte rectangular para acomodar la rejilla.)

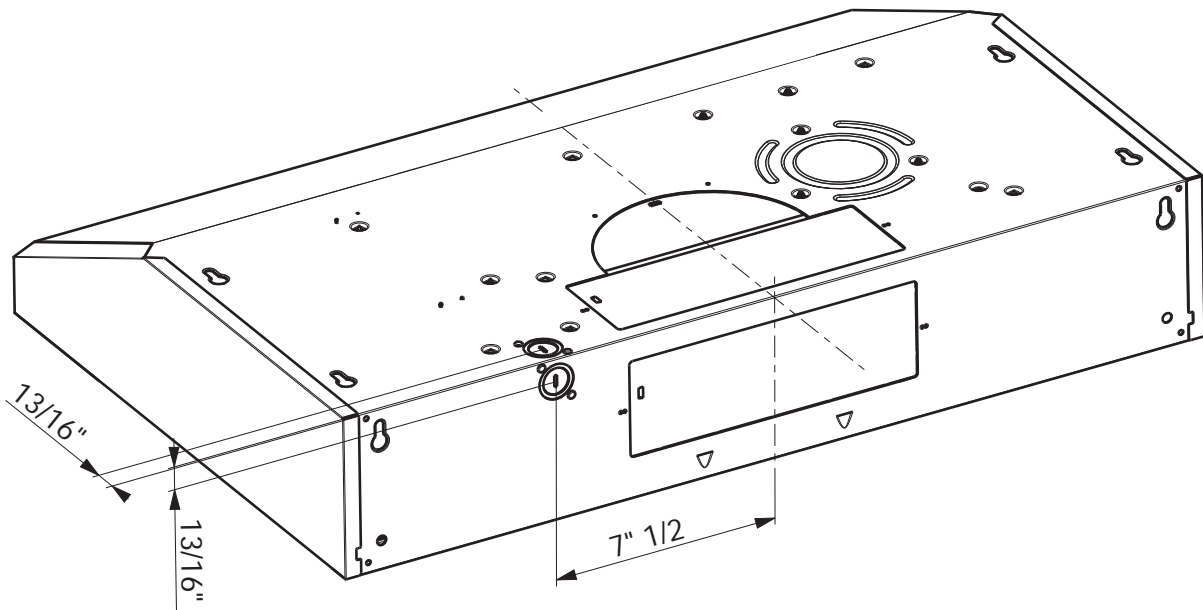
Tenga cuidado de atornillar la rejilla completamente nivelada para evitar ruidos no deseados.



Destornillador Phillips

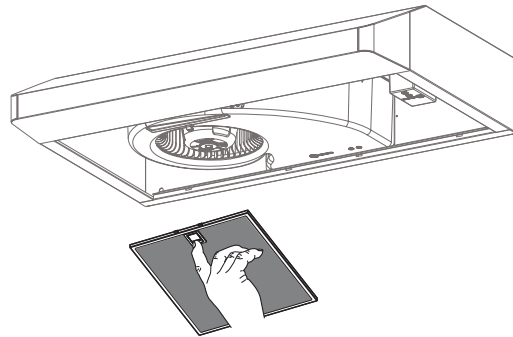


ELEGIR EL PREPUNZONADO DE CONEXIÓN ELÉCTRICA VERTICAL U HORIZONTAL

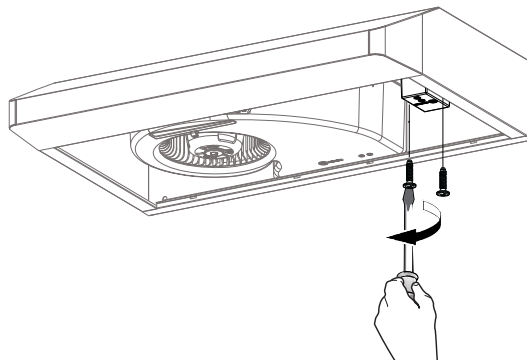


Preparación de la campana para el prepunzonado eléctrico

- 1 Retire los filtros de uno en uno empujándolos hacia la parte posterior de la campana y tirando hacia abajo al mismo tiempo.



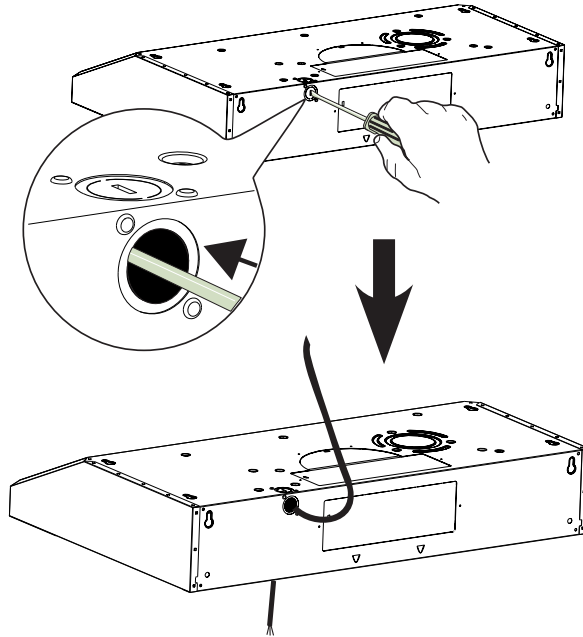
- 2 Retire la tapa de la caja de cableado desenroscando los 2 tornillos.



3**Orificio trasero (Horizontal)**

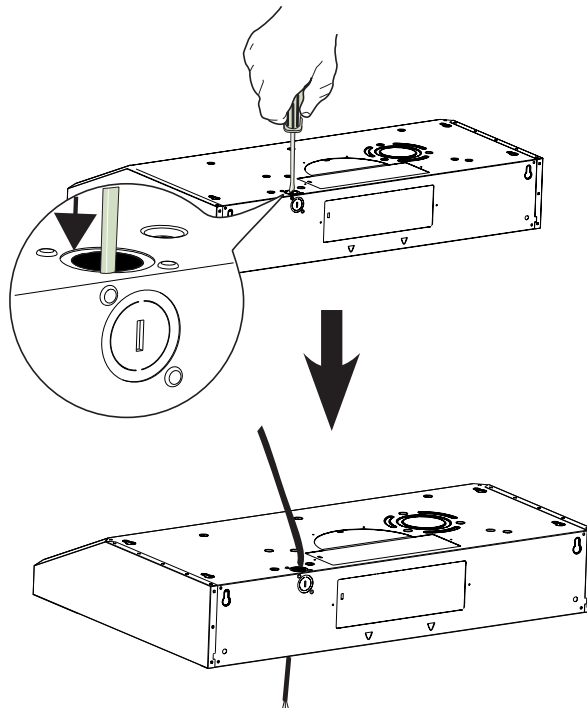
Elija el orificio trasero para la conexión eléctrica y rómpalo con un destornillador u otra herramienta.

Durante la instalación, pase el cable de alimentación a través de este orificio.

**4****Agujero superior (vertical)**

Elija el orificio superior para la conexión eléctrica y rómpalo con un destornillador u otra herramienta.

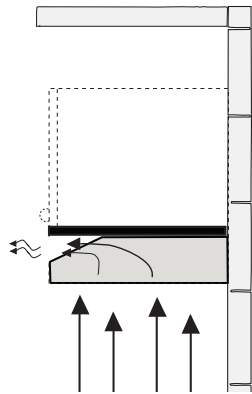
Durante la instalación, pase el cable de alimentación a través de este orificio.



EXTRACCIÓN CON CONDUCTO O SIN CONDUCTO

SIN CONDUCTO - OPCIÓN DE RECIRCULACIÓN

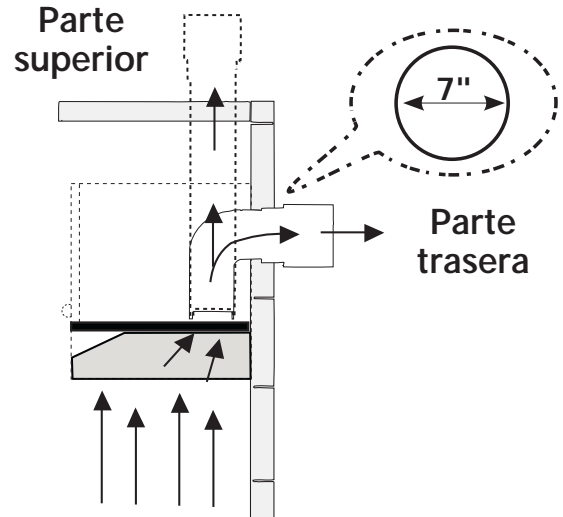
Requiere la compra del accesorio de carbón activado



Ir a la página 81

CON CONDUCTO CON SALIDA REDONDA DE 7":

- Vertical
- Horizontal

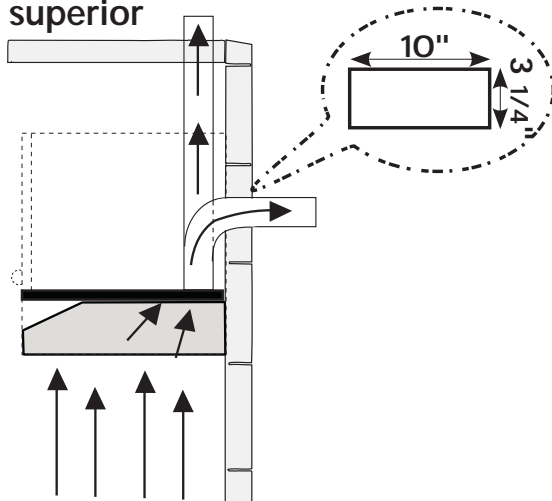


Ir a la página 82

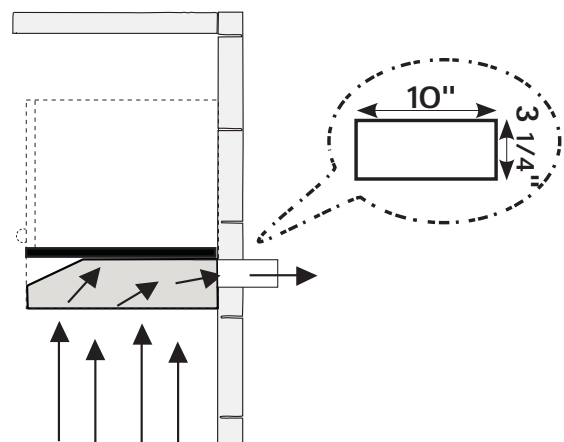
CON CONDUCTO CON SALIDA RECTANGULAR DE 3 1/4" X 10"

- Vertical
- Horizontal

Parte superior

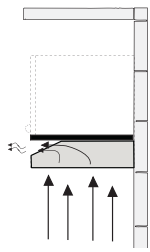


Parte trasera

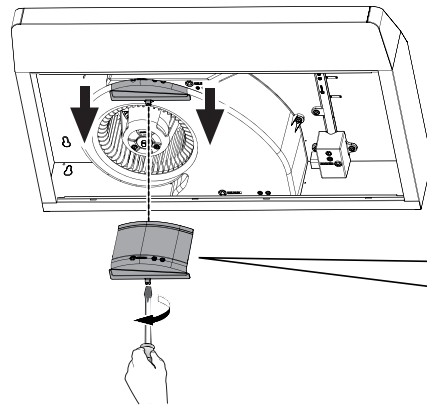


Ir a la página 84

OPCIÓN DE RECIRCULACIÓN SIN CONDUCTO

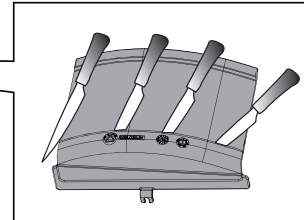


a



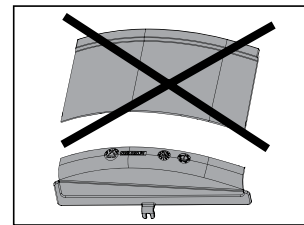
Retire la cubierta del extractor indicada (no deseche el tornillo).

b1



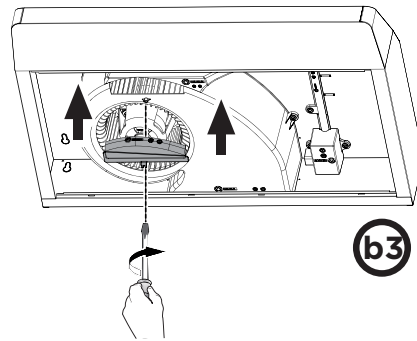
Corte la cubierta como se indica en la imagen b1.

b2



Descarte/recicle las piezas superiores de la cubierta del extractor.

b3



Vuelva a instalar la cubierta del extractor modificada con el mismo tornillo.

El accesorio necesario para el filtro de carbón activado - (FILTRO5) se compra por separado.

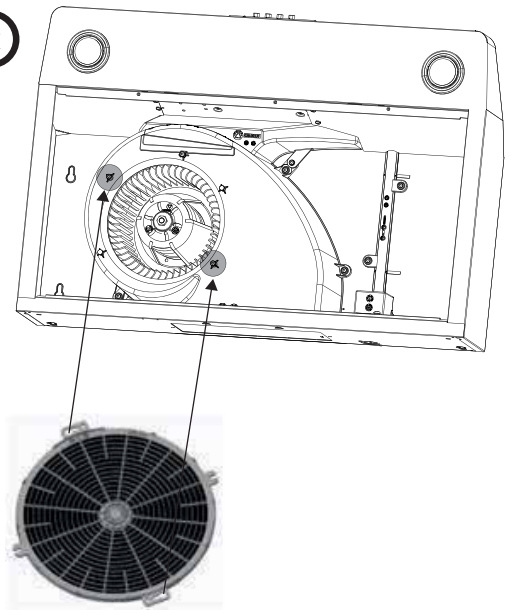


Solo para instalaciones sin conductos:

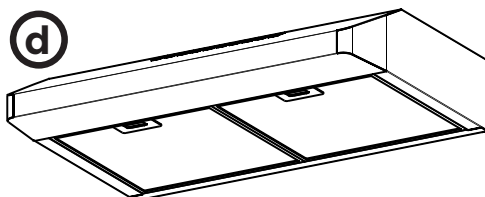
1. Retire los dos tornillos situados en el lugar que se indica en el alojamiento del motor.
2. Coloque el filtro de carbón con las pestañas contra el alojamiento del extractor en la ubicación indicada en la figura **c**. En la parte delantera del FILTRO5 se encuentra la pestaña de montaje en la superficie superior del filtro. Una capa de carbón vegetal será visible a través de las rejillas.
3. Use los dos tornillos retirados anteriormente para fijar el FILTRO5 en su lugar.

NOTA: Para instalaciones sin conducto, la rejilla canadiense NO debe ser utilizada.

c



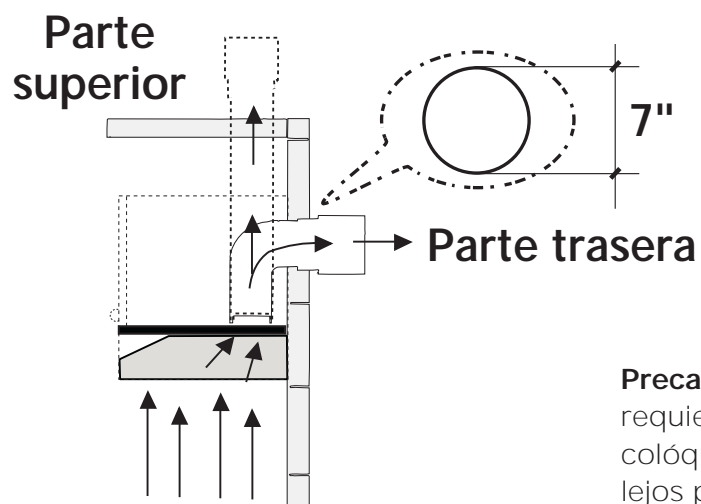
d



Vuelva a instalar los filtros de grasa existentes después de instalar el filtro de carbón activado antes de operar la campana.

Ir a la página 86

CON CONDUCTO - SALIDA REDONDA DE 7"



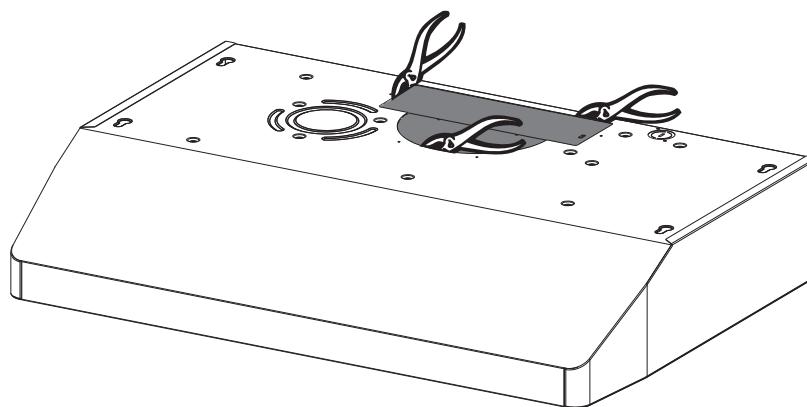
Precaución: Si se requiere un codo, colóquelo lo más lejos posible de la abertura de escape de la campana.

Requerido: Válvula antirretorno redonda de 7" que se compra por separado.



1

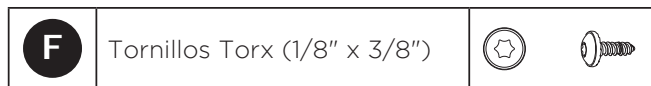
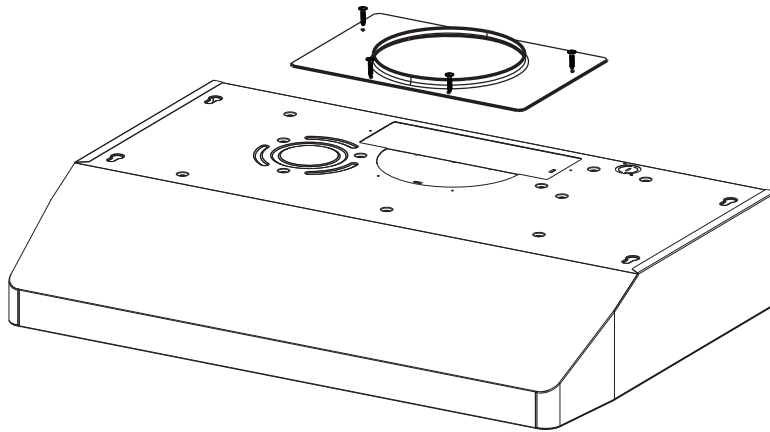
Corte donde se indica.
Retire las áreas rectangular y de semicírculo con las tijeras de metal.



2

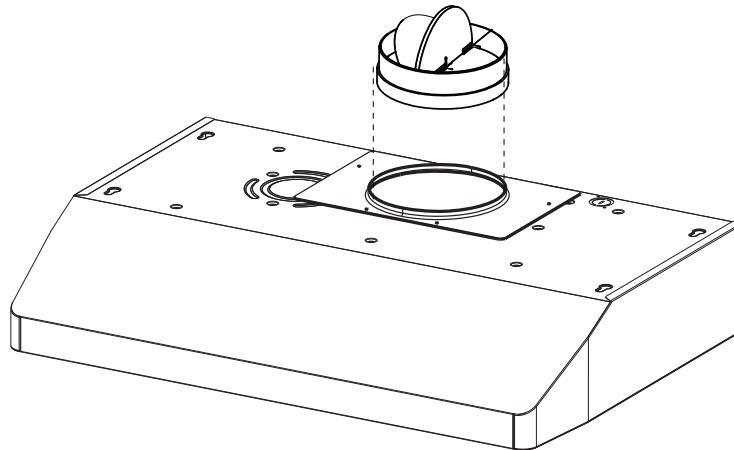
Instale la brida con los tornillos de transición de la brida **F**.

NOTA: Se debe montar la brida con el borde hacia arriba.
Use solo los tornillos proporcionados para la brida



3

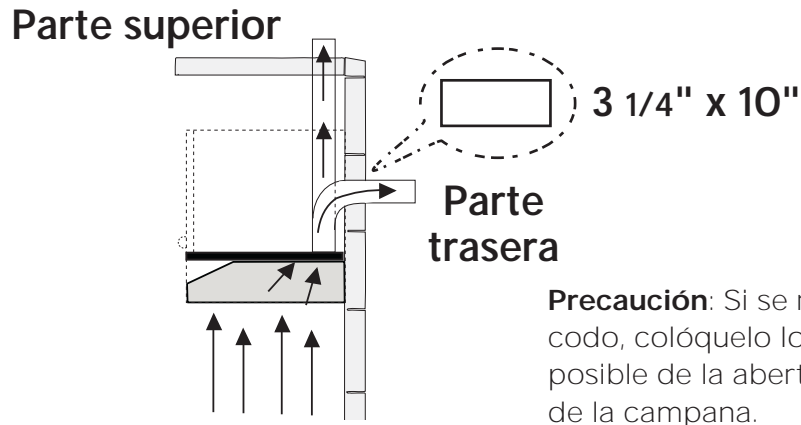
Instale una válvula antirretorno redonda de 7" que se compra por separado. Asegure la válvula antirretorno con cinta adhesiva de aluminio.



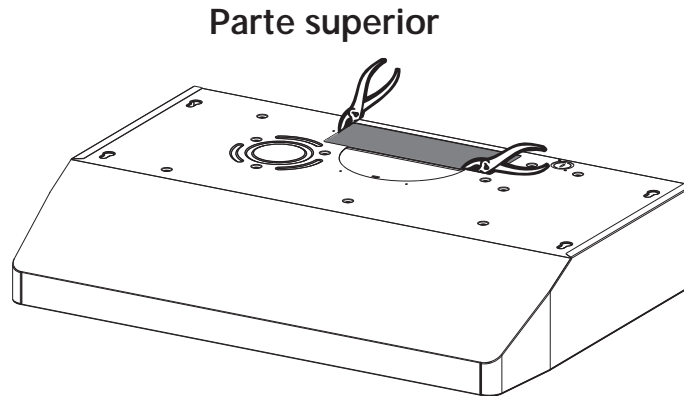
4

Conecte los conductos metálicos redondos de 7" al techo o a la tapa de la pared, que se compra por separado, y luego conecte los conductos.

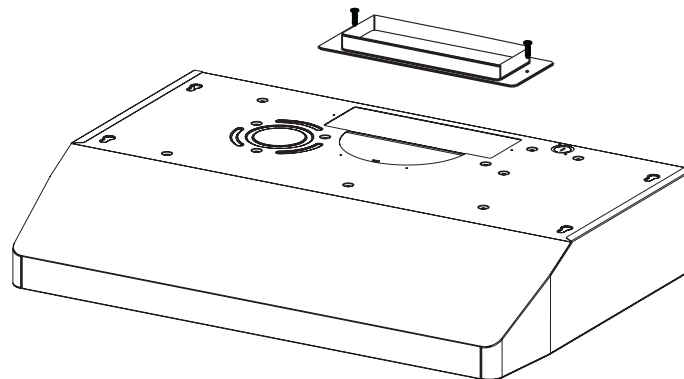
CON CONDUCTO - SALIDA RECTANGULAR EN LA PARTE SUPERIOR DE 3 1/4" X 10"



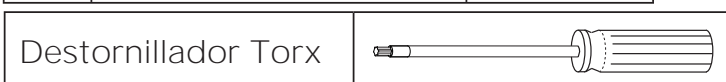
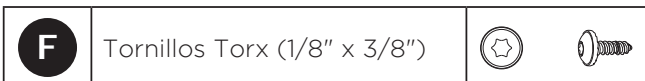
- 1 Elija la salida de aire superior rectangular o la salida de aire trasera rectangular y corte donde se indica. (Vea la página 85 para la salida trasera).



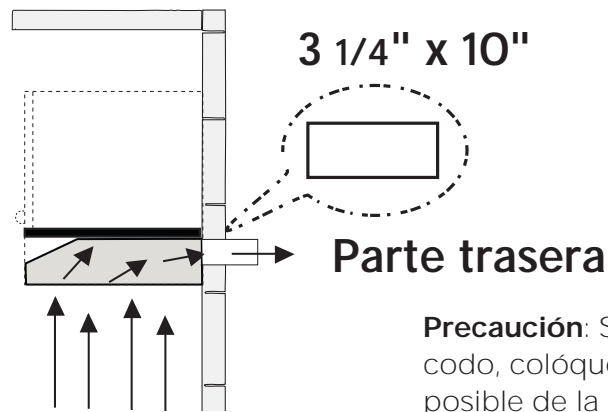
- 2 Instale la salida de aire rectangular incluida con dos tornillos **F**.



- 3 Conecte los conductos metálicos al techo o a la tapa de la pared, que se compra por separado, y luego conecte los conductos.



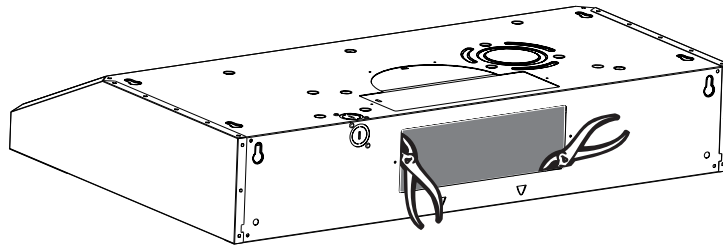
CON CONDUCTO - SALIDA RECTANGULAR EN LA PARTE TRASERA DE 3 1/4" X 10"



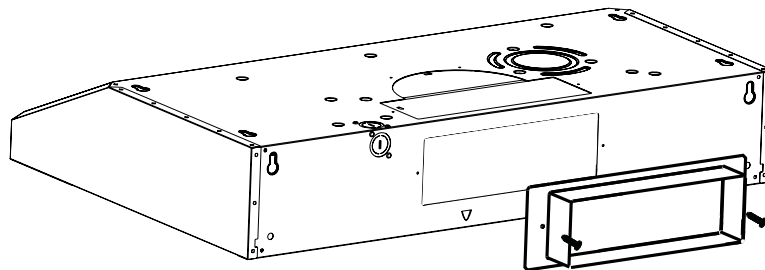
Precaución: Si se requiere un codo, colóquelo lo más lejos posible de la abertura de escape de la campana.

- 1 Use la salida de aire trasera y corte donde se indica.

Parte trasera



- 2 Instale la salida de aire rectangular incluida con dos tornillos **F**.



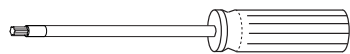
- 3 Conecte los conductos metálicos al techo o a la tapa de la pared, que se compra por separado, y luego conecte los conductos.

F

Tornillos Torx (1/8" x 3/8")



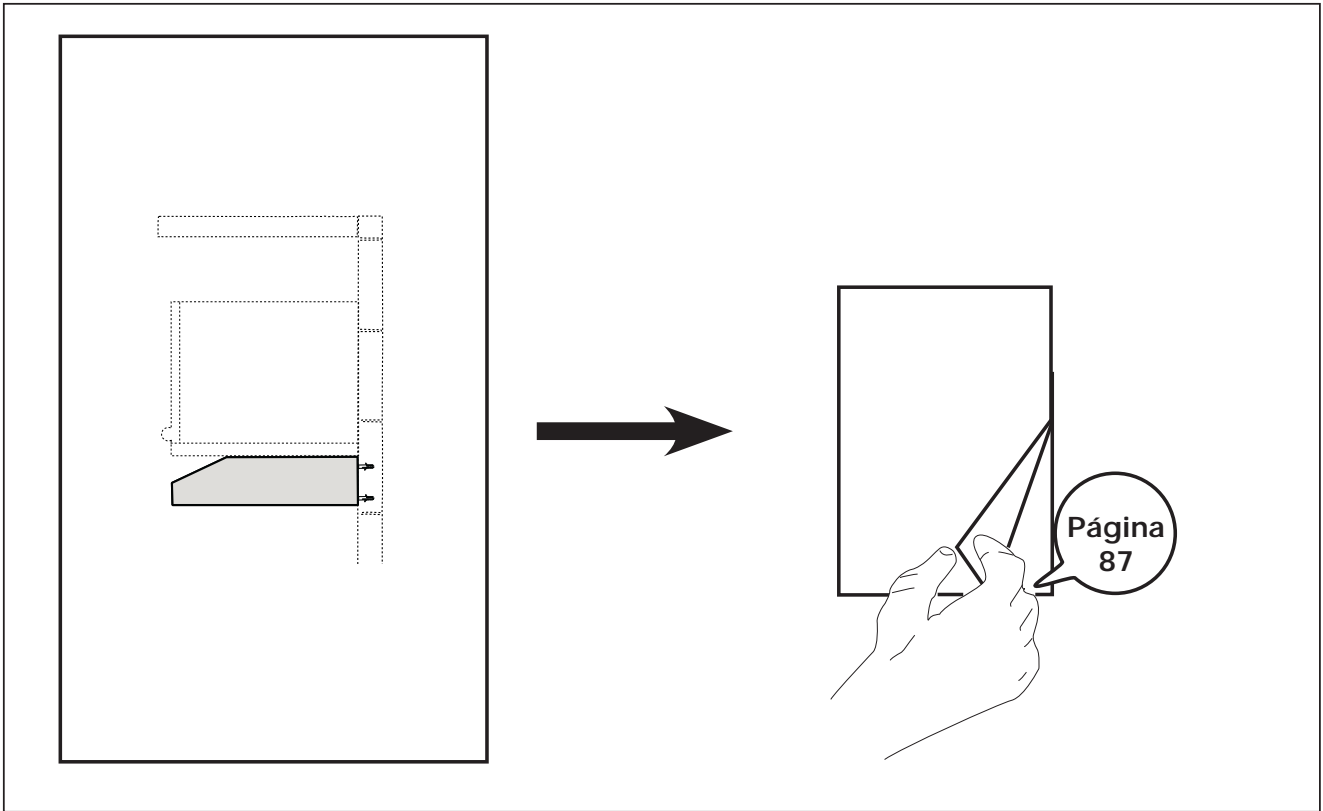
Destornillador Torx



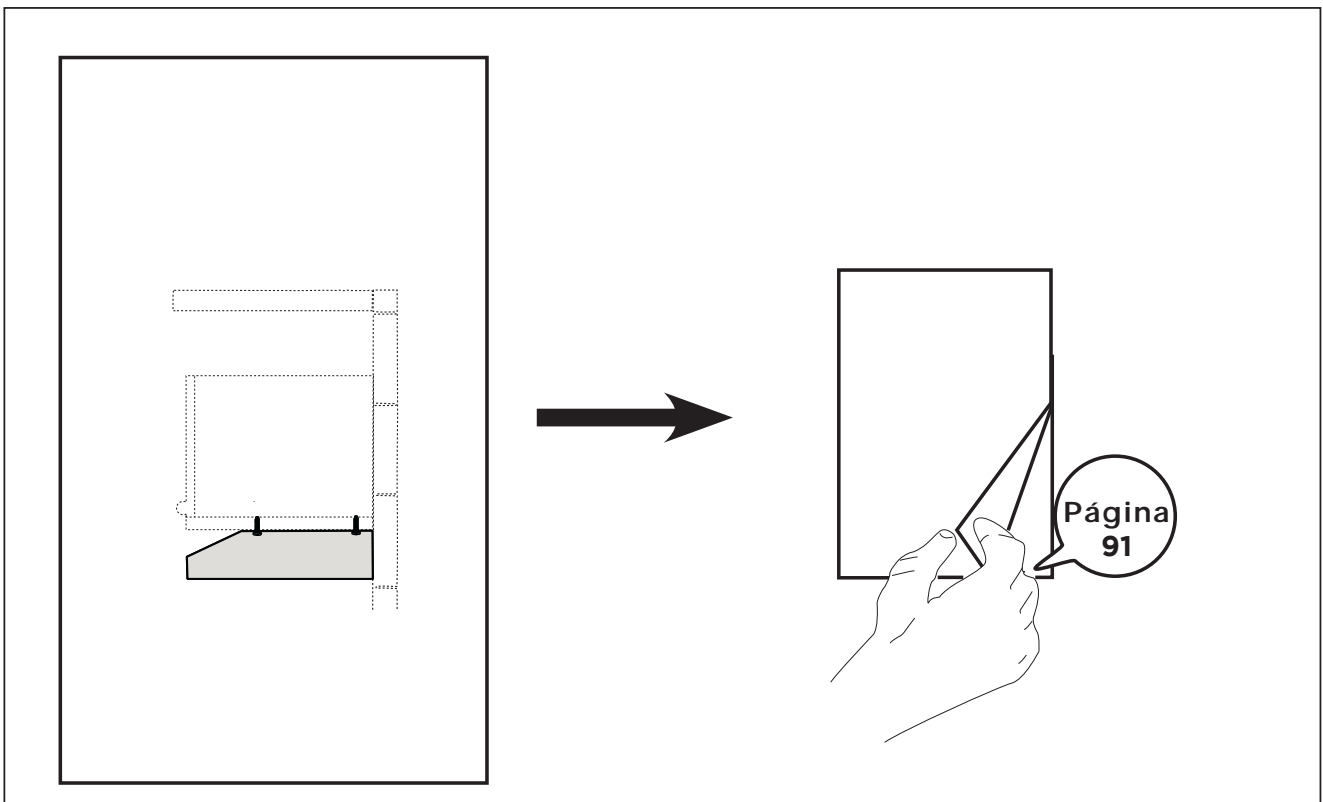
Ir a la página 86

ELEGIR EL MÉTODO DE MONTAJE

Instalación para el montaje en la pared



Instalación para el montaje en el mueble

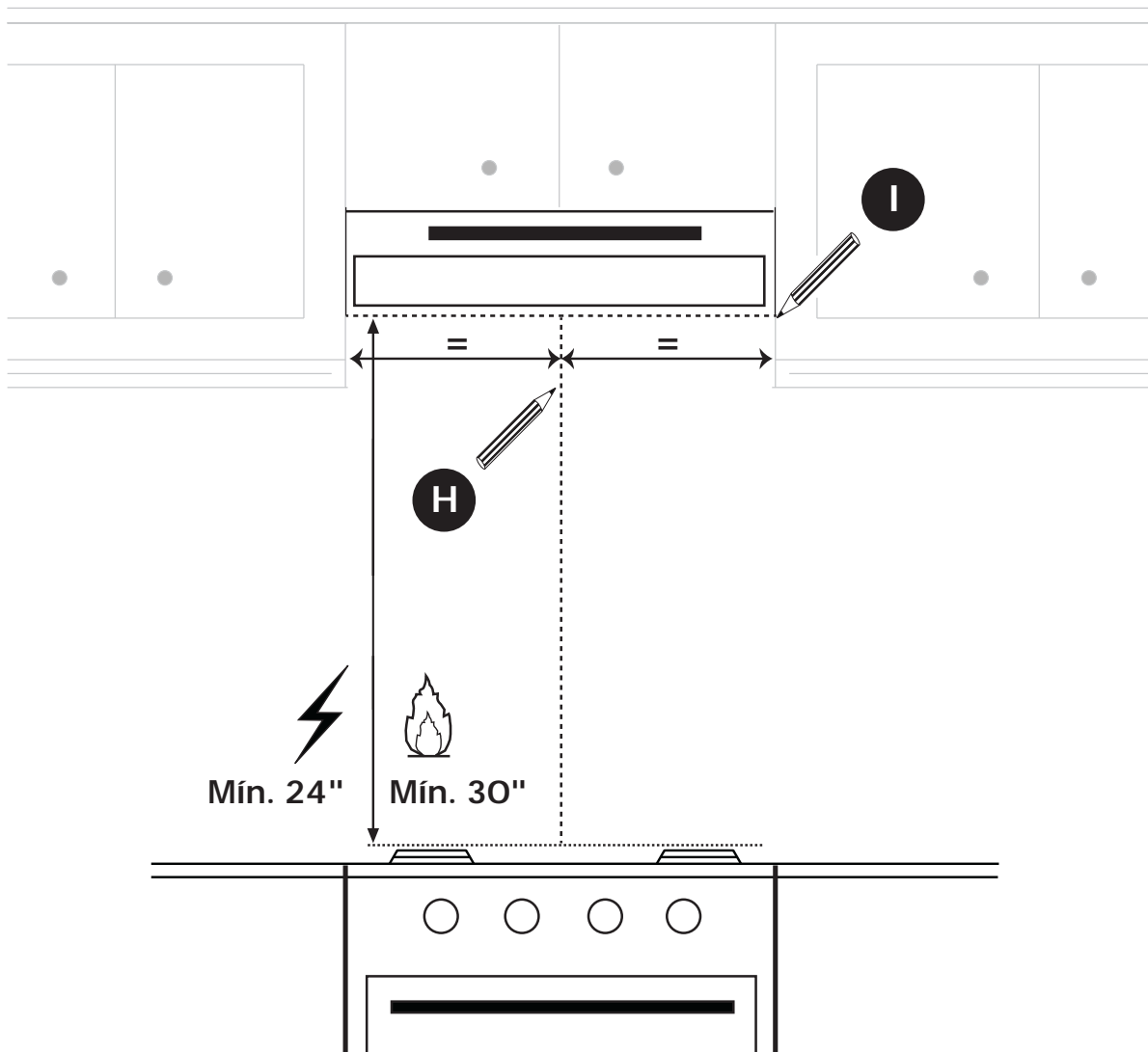


MONTAJE DE LA CAMPANA DE COCINA EN LA PARED

1 DIBUJE LÍNEAS DE POSICIONAMIENTO

Dibuje una línea vertical **H** desde la pared trasera de apoyo hasta el techo o límite superior, en el centro del área en la que se instalará la campana.

Dibuje una línea horizontal **I** desde donde se ubicará el borde inferior de la campana, hasta un mínimo de 24" sobre una superficie de cocción eléctrica y 30" sobre una superficie de cocción de gas.

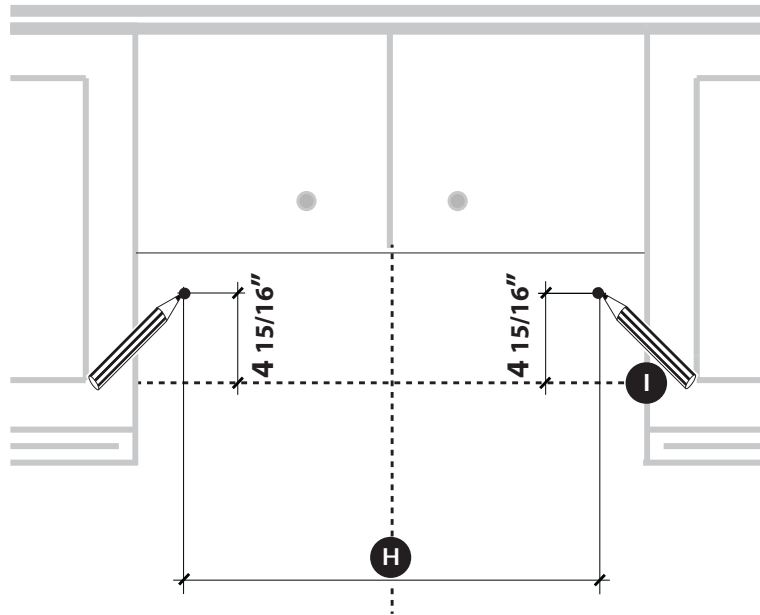


MÍN. 24" SOBRE PLACA ELÉCTRICA/MÍN. 30" SOBRE PLACA DE GAS

MONTAJE DE LA CAMPANA DE COCINA EN LA PARED

2 Marque la pared para los anclajes superiores.

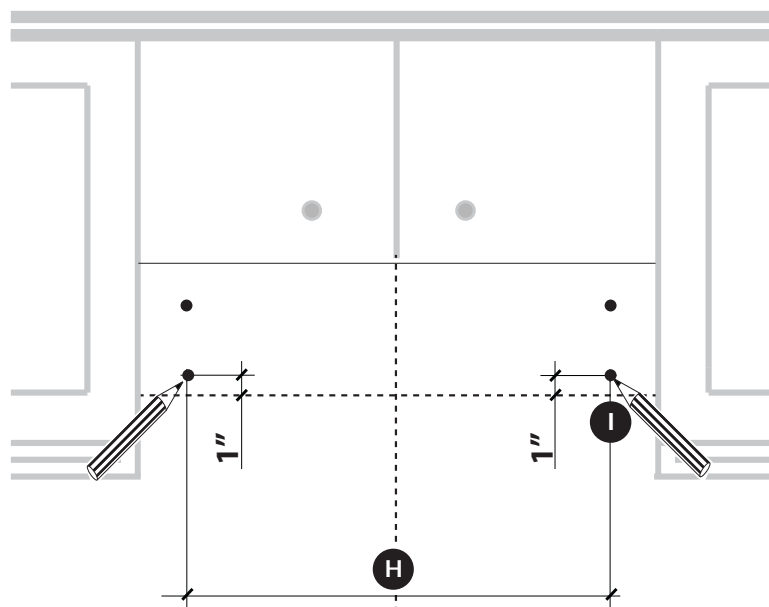
Marque la pared donde se indica $4 \frac{15}{16}$ " por encima de la línea horizontal I a J de distancia a la izquierda y a la derecha de la línea vertical H.



J $30'' = 27 \frac{3}{8}''$
 $36'' = 33 \frac{3}{8}''$

3 Marque la pared para los anclajes inferiores.

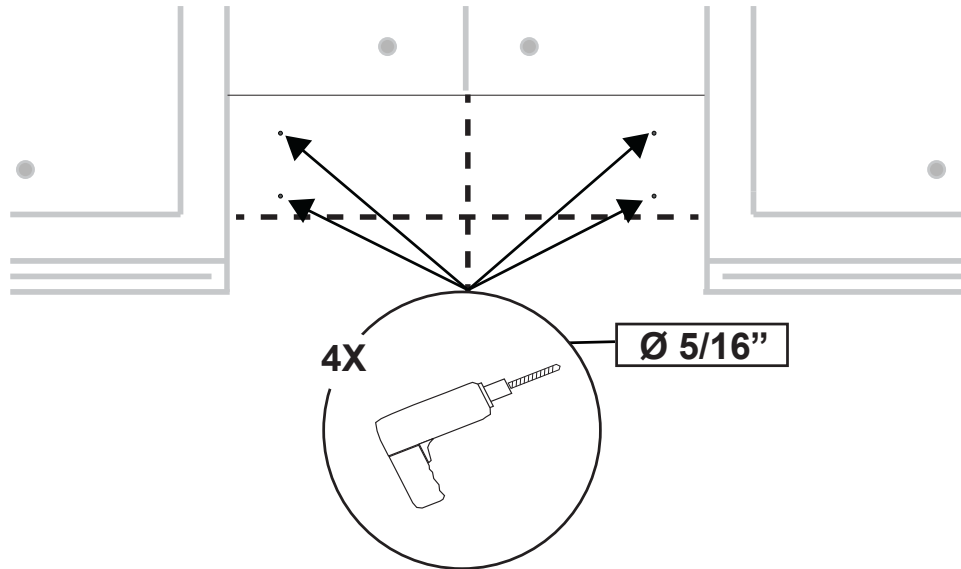
Marque 1" debajo del Paso 2. Anclajes superiores. Tenga cuidado de mantener el nivel.



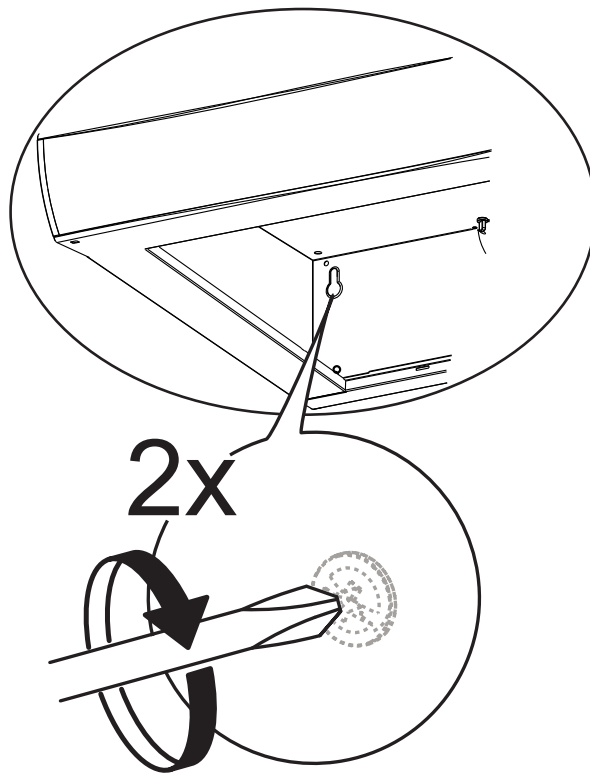
J $30'' = 27 \frac{3}{8}''$
 $36'' = 33 \frac{3}{8}''$



MONTAJE DE LA CAMPANA DE COCINA EN LA PARED

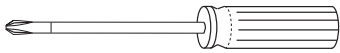
- 4** Taladre un agujero de 3/16 directamente en la pared en los puntos centrales marcados en el paso 3. Si los puntos de fijación no se alinean con los espárragos, inserte los tacos de pared que ha comprado en los agujeros.



- 5** En los agujeros superiores use dos de los tornillos suministrados **E** para asegurar el cuerpo de la campana a la pared.



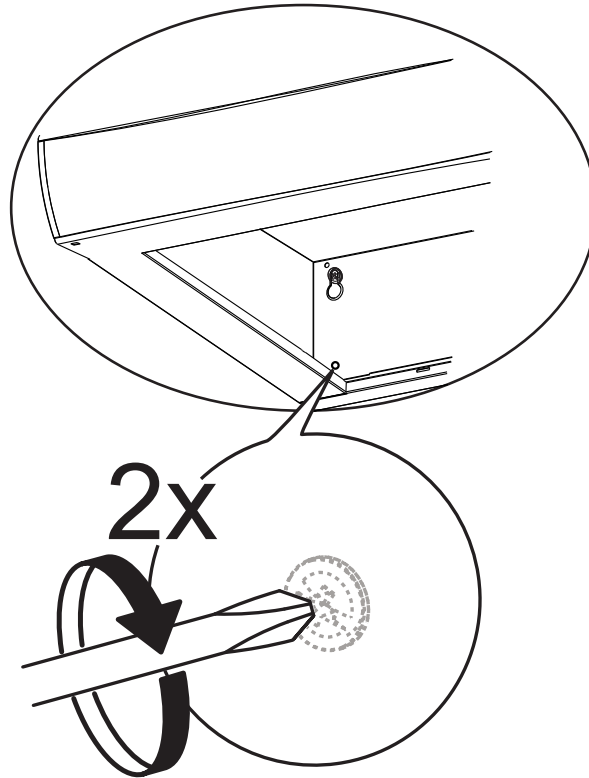
E	Tornillos Pozi (3/16" x 1 15/16")		
----------	-----------------------------------	---	--



Destornillador Pozi	
---------------------	---


MONTAJE DE LA CAMPANA DE COCINA EN LA PARED

6

Usando los dos tornillos restantes **E**, fije la campana en los agujeros inferiores como se indica.



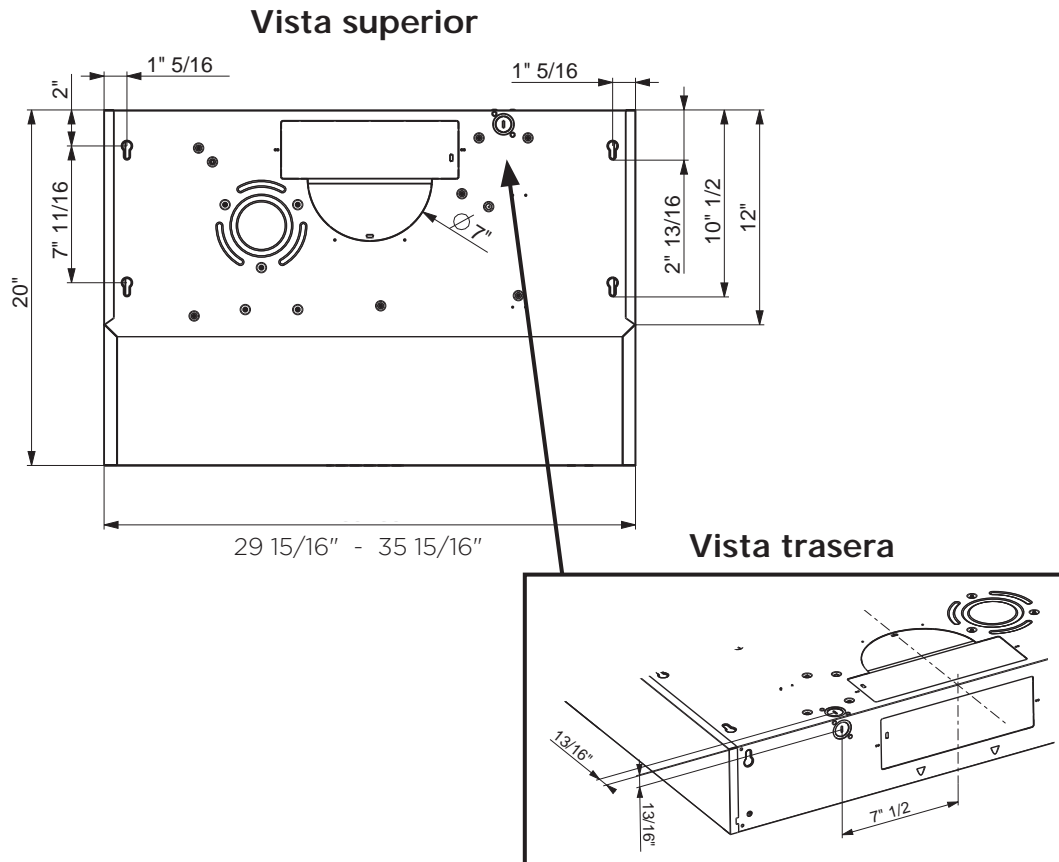
E	Tornillos Pozi (3/16" x 1 15/16")		
----------	-----------------------------------	---	--

Destornillador Pozi	
---------------------	---

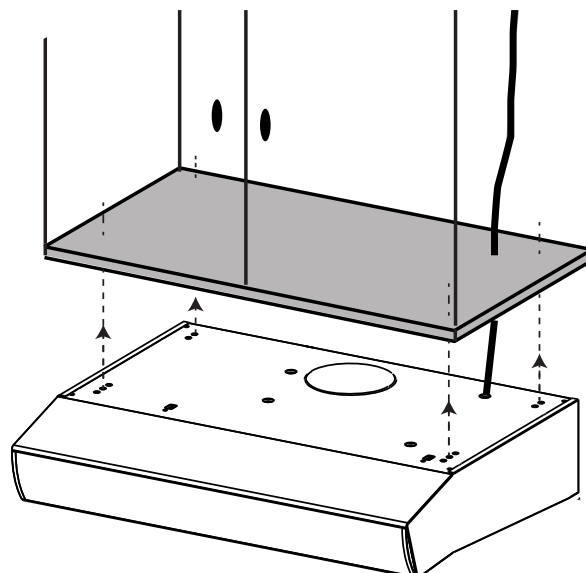
¡PRECAUCIÓN! Para las instalaciones que tienen un fondo empotrado, será necesario comprar y colocar listones de madera de 1" X 2" x 12" (longitud aproximada) para proporcionar un área de montaje nivelada. Para este tipo de instalación se pueden usar los tornillos de montaje en pared 12C como sujetadores, de lo contrario, se deben comprar y usar 4 tornillos de cabeza plana para madera.

MONTAJE DE LA CAMPANA DE COCINA BAJO EL MUEBLE

- 1 Localice en la campana el agujero para el cable de alimentación (Ver la sección "ELEGIR EL PREPUNZONADO DE CONEXIÓN ELÉCTRICA VERTICAL U HORIZONTAL") y pase el cable a través del agujero apropiado.

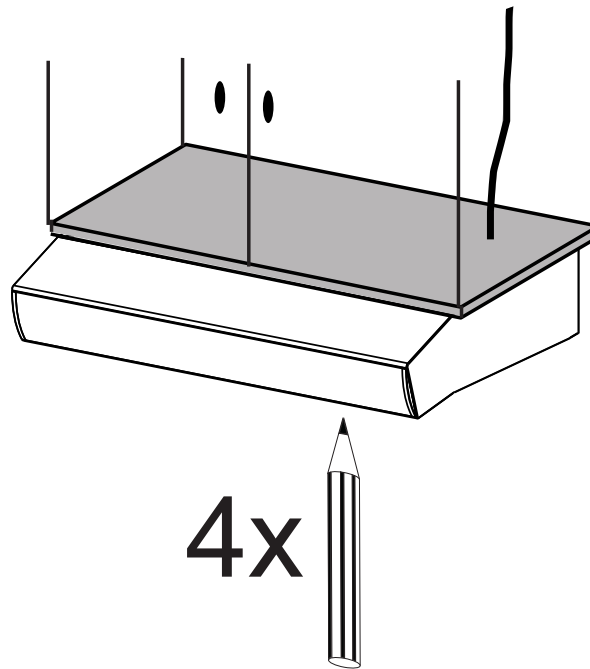


- 2 Levante la campana hasta el mueble y pase el cable de alimentación a través de los agujeros apropiados en la campana y a través del mueble hasta la fuente de alimentación.

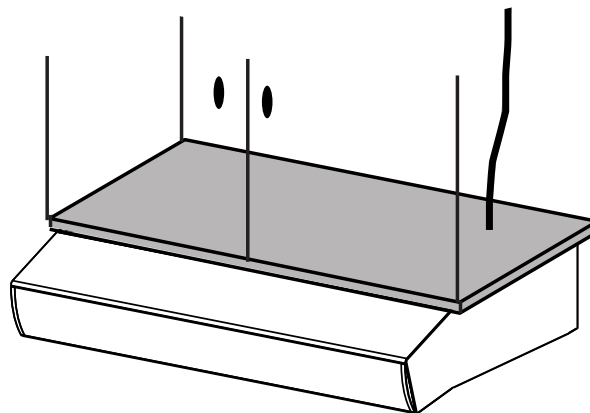




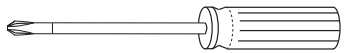
MONTAJE DE LA CAMPANA DE COCINA BAJO EL MUEBLE

- 3** Marque los agujeros para fijar la campana al mueble. Verifique la medición con el diagrama de la página anterior.



- 4** Fije el cuerpo de la campana con 4 tornillos **E** en la parte inferior, disponibles con la campana.



E	Tornillos Pozi (3/16" x 1 15/16")		
Destornillador Pozi			

CONEXIÓN A LA ELECTRICIDAD

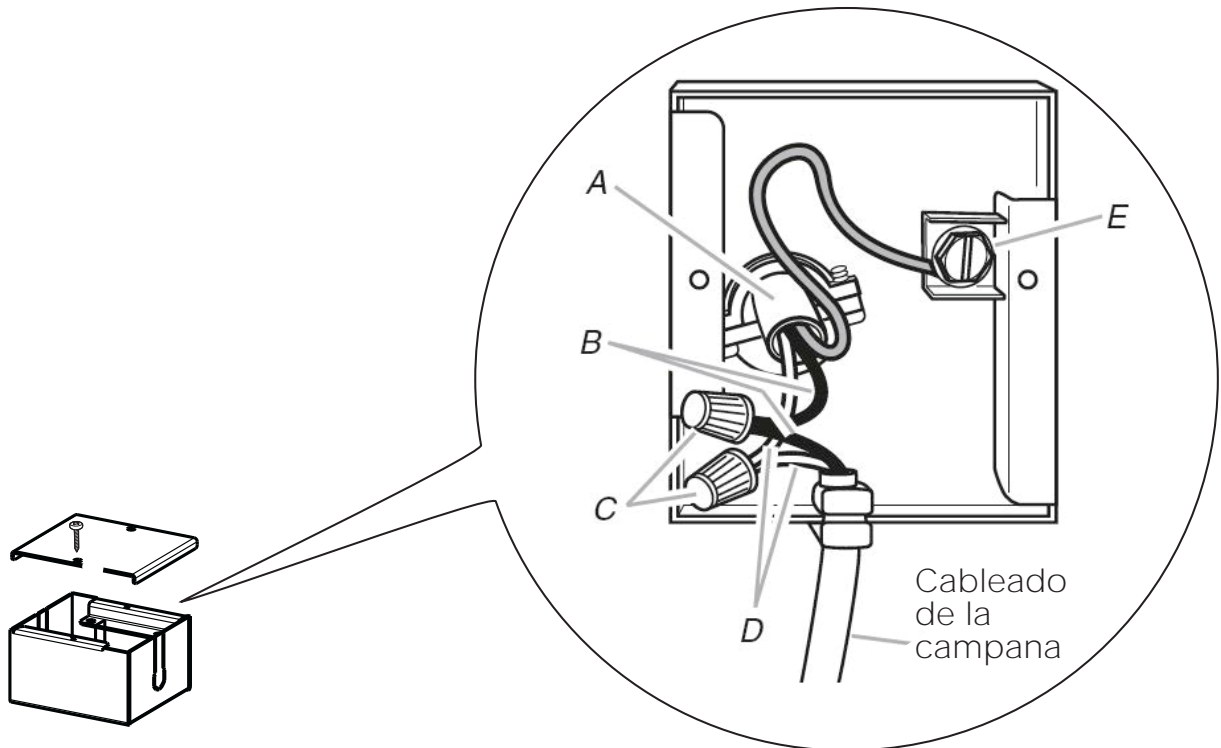
1 Conexión a la corriente de la casa.

¡Precaución! No encienda el interruptor de corriente de la casa hasta que la instalación esté completa.

- Pase el cable de alimentación a través del prepunzonado eléctrico.

2 Conexiones de la caja de cableado.

- Conecte el cable blanco de la fuente de alimentación (**A**) al cable blanco de la campana extractora (**D**) con un conector de cable de tipo giratorio.
- Conecte el cable negro de la fuente de alimentación al cable negro de la campana extractora (**B**) con un conector de cable de tipo giratorio (**C**).
- Conecte el cable de tierra verde (**E**) (verde y amarillo) debajo del tornillo de tierra.






3 Sustituya la tapa del compartimento del cableado de campo y los filtros de grasa

MANDOS DE FUNCIONAMIENTO

PARA OBTENER LOS MEJORES RESULTADOS

Encienda la campana extractora varios minutos antes de cocinar para desarrollar un flujo de aire adecuado. Deje que la campana funcione durante varios minutos después de la cocción para eliminar el humo y los olores de la cocina.

Botón	Función
	Botón de apagado del extractor: Apaga el extractor. Se puede operar el extractor al pulsar cualquiera de los botones de configuración.
	Mantenga pulsado este botón durante 2 segundos para activar la función de apagado retardado que mantendrá el extractor encendido durante 15 minutos y se apagará automáticamente.
1	Botones de configuración del extractor: Velocidad baja.
2	Botones de configuración del extractor: Velocidad media.
3/i	Botones de configuración del extractor: Velocidad alta.
	Mantenga pulsado el botón durante 2 segundos para activar la MÁXIMA VELOCIDAD, que está programada para funcionar durante 10 minutos. Al final de este tiempo volverá automáticamente a la velocidad establecida antes. Adecuada para tratar con niveles de humos de cocina elevados.
	Botón de iluminación: interruptor de encendido/apagado para las luces LED. Pulse el botón ILUMINACIÓN para encender la luz y nuevamente para apagarla.

CUIDADO DE LOS FILTROS

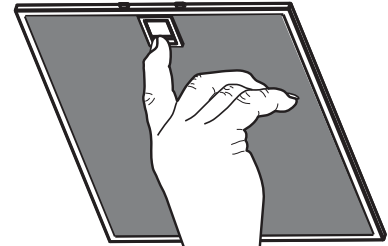
LIMPIEZA DE LOS FILTROS DE GRASA METÁLICOS

Los filtros de grasa metálicos pueden limpiarse con una solución de detergente caliente o lavarse en el lavavajillas.

Se deben limpiar cada 2 meses de uso, o más frecuentemente si el uso es particularmente pesado.

1

Retire el filtro tirando del pestillo hacia adelante y tirando hacia abajo al mismo tiempo.

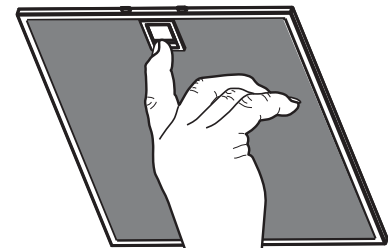


2

Lave el filtro sin doblarlo. Déjelo secar completamente antes de volver a instalarlo. Si la superficie del filtro cambia de color con el tiempo, la eficacia no se verá afectada.

3

Para reinstalar el filtro, empuje el filtro hacia arriba mientras tira del pestillo hacia adelante, y luego suelte el pestillo para que se trabaje en su lugar.



NOTAS:

- La limpieza en el lavavajillas puede opacar el acabado de los filtros de grasa metálicos.
- Asegúrese de que los filtros estén completamente secos antes de instalarlos de nuevo en la campana extractora.

LIMPIEZA DE LAS SUPERFICIES EXTERIORES

Por favor, tenga en cuenta que los abrasivos y los desengrasantes pueden rayar los acabados de la campana y no deben ser usados para limpiar las superficies con acabado.

Instrucciones de limpieza del acabado de acero inoxidable:

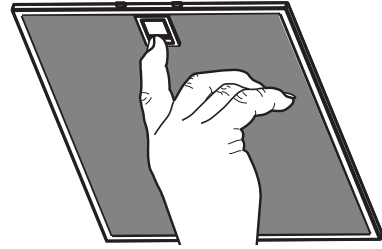
Limpie las superficies exteriores con un limpiador de acero inoxidable disponible en el mercado.

SUSTITUCIÓN DEL FILTRO DE CARBÓN ACTIVADO

Los filtros de carbón activo no son lavables y no pueden ser regenerados. Se deben sustituir aproximadamente cada 4 meses de funcionamiento, o más frecuentemente con un uso intensivo.

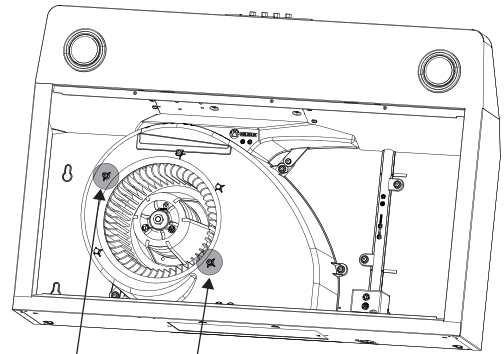
1

Retire los filtros de grasa.



2

Retire el filtro de carbón viejo quitando los dos tornillos y luego instale el nuevo filtro utilizando los mismos dos agujeros para tornillos.



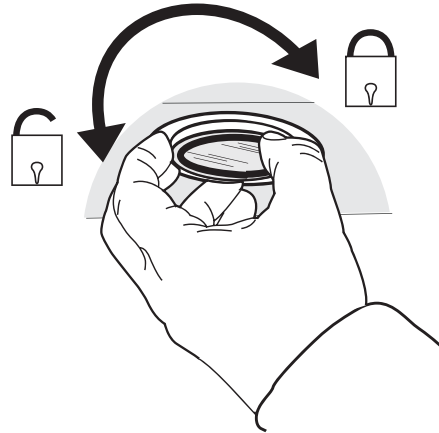
3

Vuelva a instalar los filtros de grasa.

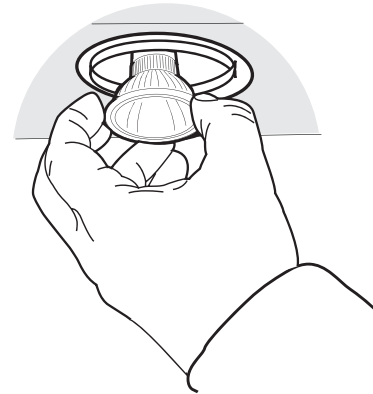


SUSTITUCIÓN DE LAS LÁMPARAS

- 1 Lámpara LED de 5 W tipo GU10**
Retire la lámpara (Ver la imagen).



- 2** Sustituya la lámpara por una nueva del mismo tipo, asegurándose de insertar correctamente las dos clavijas en los alojamientos del portalámparas y de girarla para que se bloquee de nuevo en su sitio.

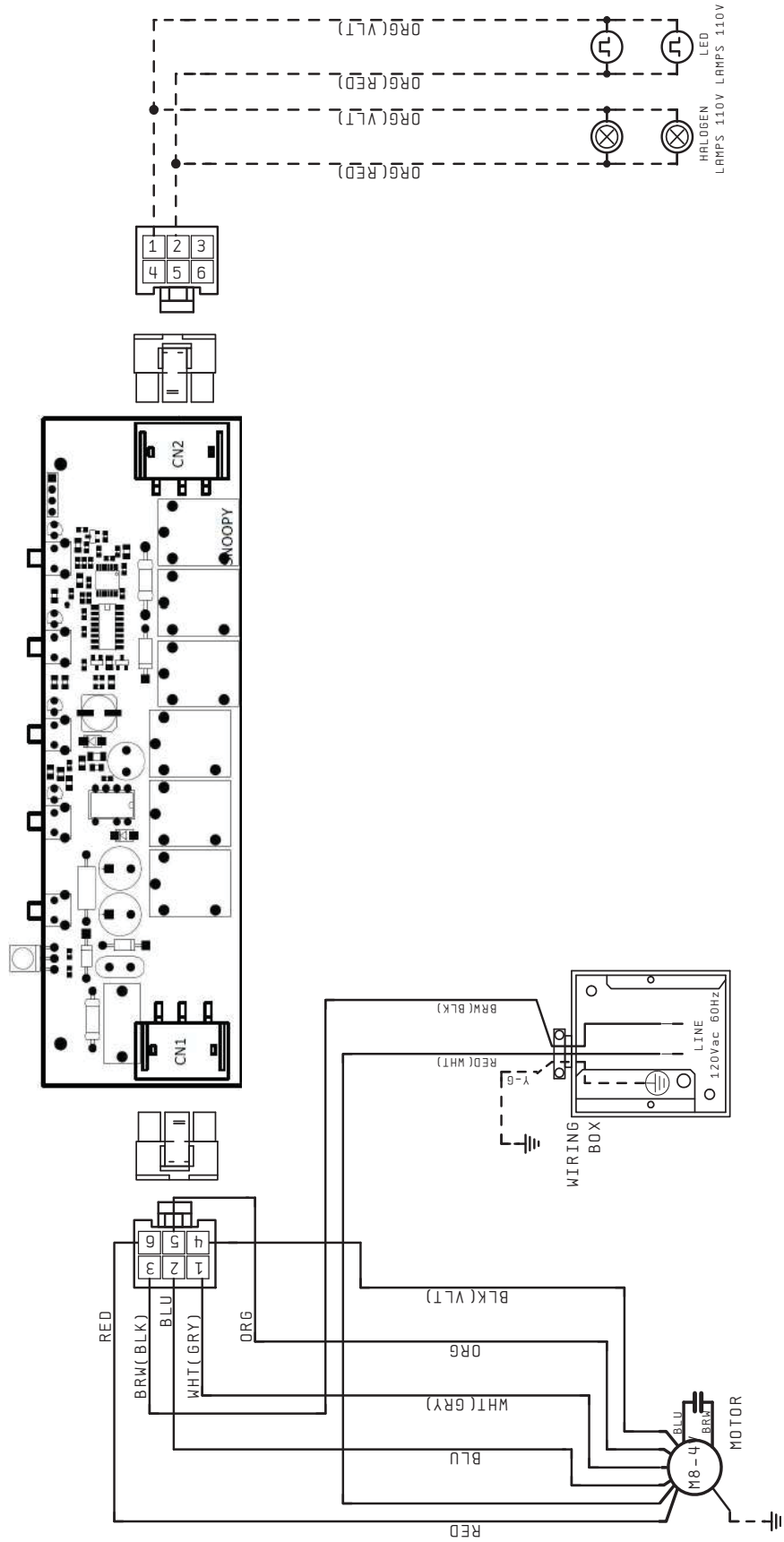


Atención: Las lámparas pueden estar calientes, por favor espere unos minutos antes de sustituirlas

Lámparas LED autobalastadas Gu10
- listadas de acuerdo con
ul 1993/nmx-j-578/1-ance/
csa c22.2
N.º 1993



DIAGRAMA DE CABLEADO



GARANTÍA

GARANTÍA Y SERVICIO AL CONSUMIDOR FABER

Todos los productos Faber están garantizados contra cualquier defecto de materiales o mano de obra para el comprador original por un período de 1 año a partir de la fecha de compra original (requiere prueba de compra). Esta garantía cubre mano de obra y piezas de repuesto. Faber, a su elección, puede reparar o reemplazar el producto o componentes necesarios para restaurar el producto en buenas condiciones de trabajo. Para obtener el servicio de garantía, póngase en contacto con el distribuidor de quien adquirió la campana extractora o con el distribuidor local de Faber. Si no puede identificar a un distribuidor local de Faber, comuníquese con nosotros al (508) 358-5353 para obtener el nombre de un distribuidor en su área.

Lo siguiente no está cubierto por la garantía de Faber:

1. Llamadas de servicio para corregir la instalación de su campana extractora, para instruirle sobre cómo usar su campana extractora, para reemplazar o reparar fusibles de la casa o para corregir el cableado de la casa o la plomería.
2. Llamadas de servicio para reparar o reemplazar las bombillas, fusibles o filtros de la campana extractora. Estas partes de consumibles están excluidas de la cobertura de la garantía.
3. Reparaciones, cuando su campana extractora se utiliza para uso doméstico distinto al normal.
4. Daños resultantes de accidente, alteración, mal uso, abuso, incendio, inundación, eventos naturales, instalación incorrecta, instalación no conforme a los códigos eléctricos o de plomería o la documentación de Faber, o uso de productos no aprobados por Faber.
5. Piezas de repuesto o costos de mano de obra de reparación para unidades operadas fuera de los Estados Unidos o Canadá, incluyendo cualquier campana de cocina Faber no aprobada por UL o C-UL.
6. Reparaciones a la campana resultantes de modificaciones no autorizadas a la misma.
7. Gastos de viaje y transporte para el servicio del producto en lugares remotos, y gastos de recogida y entrega. Las campanas de cocina Faber deben ser reparadas en el hogar.

ESTA GARANTÍA NO PERMITE LA RECUPERACIÓN DE DAÑOS INCIDENTALS O CONSECUENTES, INCLUYENDO, SIN LIMITACIÓN, DAÑOS DIRECTOS, INDIRECTOS, INCIDENTALS, ESPECIALES O CONSECUENTES, LESIONES PERSONALES O MUERTE INCORRECTA O BENEFICIOS PERDIDOS. LA GARANTÍA DE FABER SE LIMITA A LAS CONDICIONES ANTERIORES Y AL PERÍODO DE GARANTÍA ESPECIFICADO AQUÍ Y ES EXCLUSIVA. EXCEPTO DADO LO EXPRESAMENTE ESPECIFICADO EN ESTE ACUERDO, FABER RENUNCIA A TODAS LAS CONDICIONES, REPRESENTACIONES Y GARANTÍAS EXPRESAS O IMPLÍCITAS INCLUYENDO, SIN LIMITACIÓN, CUALQUIER GARANTÍA IMPLÍCITA DE COMERCIABILIDAD O ADECUACIÓN PARA UN PROPÓSITO PARTICULAR.

Esta garantía le otorga derechos legales específicos que pueden variar de estado a estado.

Modelo: _____

Número de serie _____

991.0675.523_01 - 220302
D00008478_00