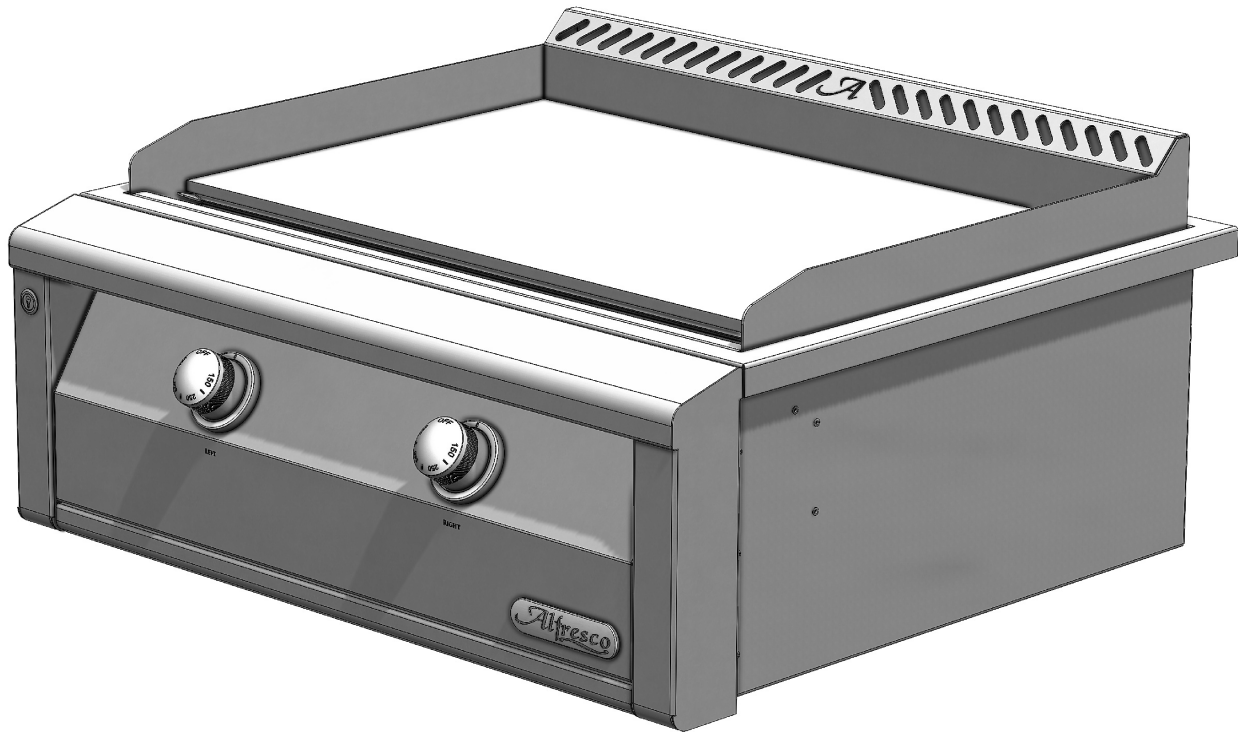


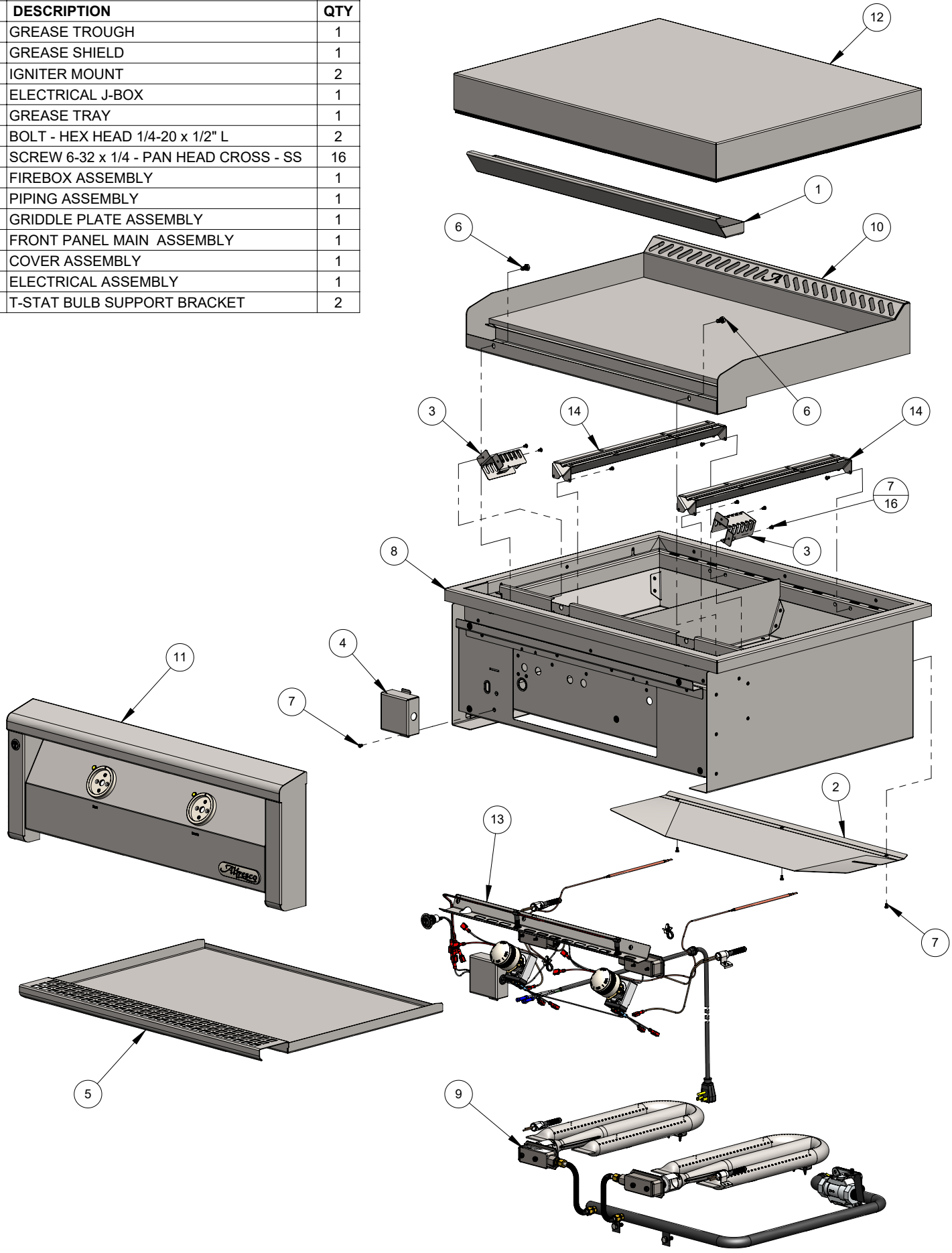
Alfresco™



AXE-30GT GRIDDLE PARTS MANUAL

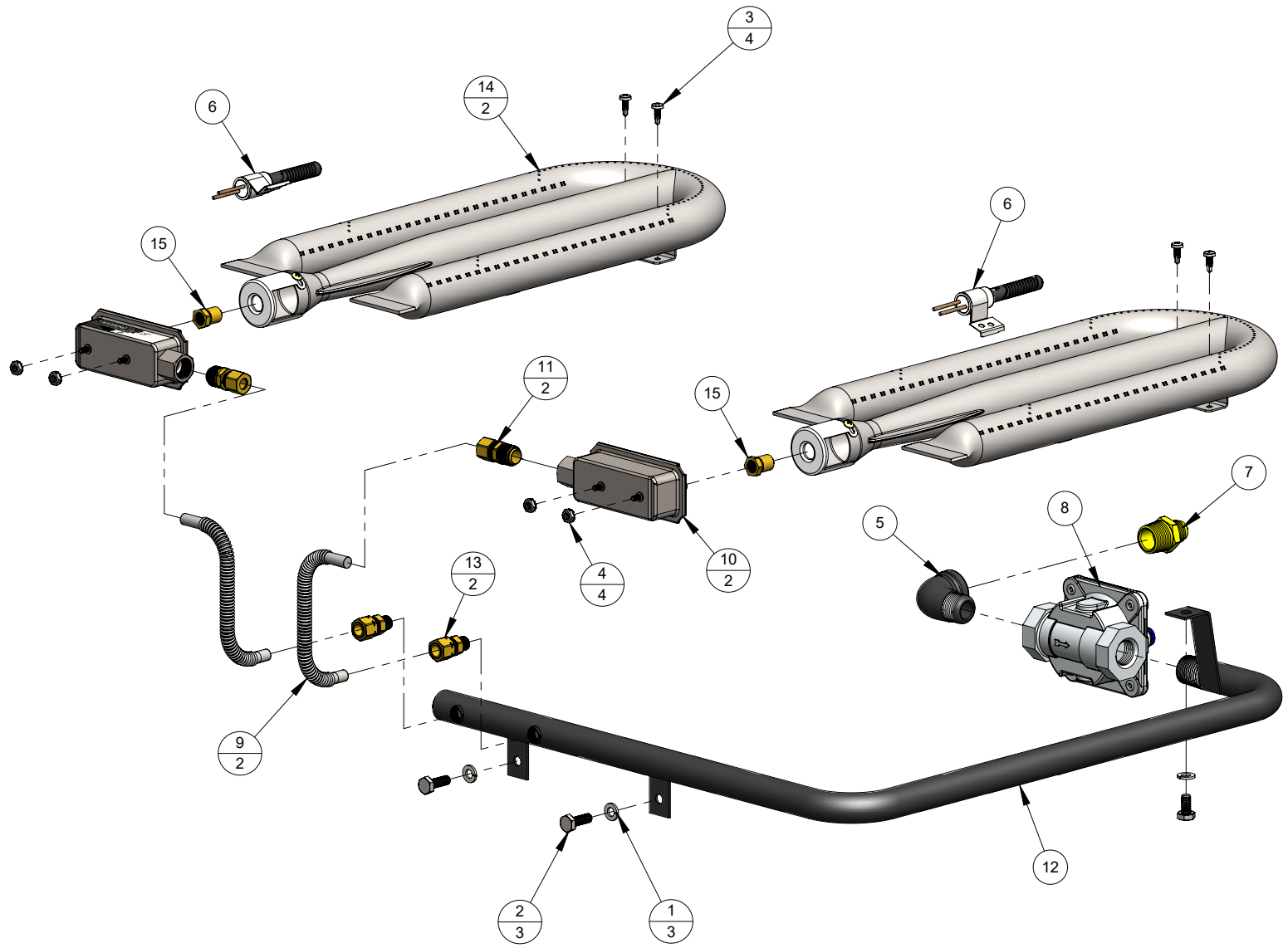
BILL OF MATERIAL

NO.	PART #	DESCRIPTION	QTY
1	170-0043	GREASE TROUGH	1
2	170-0048	GREASE SHIELD	1
3	170-0057	IGNITER MOUNT	2
4	170-0062	ELECTRICAL J-BOX	1
5	170-0090	GREASE TRAY	1
6	200-0089	BOLT - HEX HEAD 1/4-20 x 1/2" L	2
7	200-0199	SCREW 6-32 x 1/4 - PAN HEAD CROSS - SS	16
8	510-1483	FIREBOX ASSEMBLY	1
9	510-1484	PIPING ASSEMBLY	1
10	510-1485	GRIDDLE PLATE ASSEMBLY	1
11	510-1486	FRONT PANEL MAIN ASSEMBLY	1
12	510-1508	COVER ASSEMBLY	1
13	510-1509	ELECTRICAL ASSEMBLY	1
14	510-1547	T-STAT BULB SUPPORT BRACKET	2



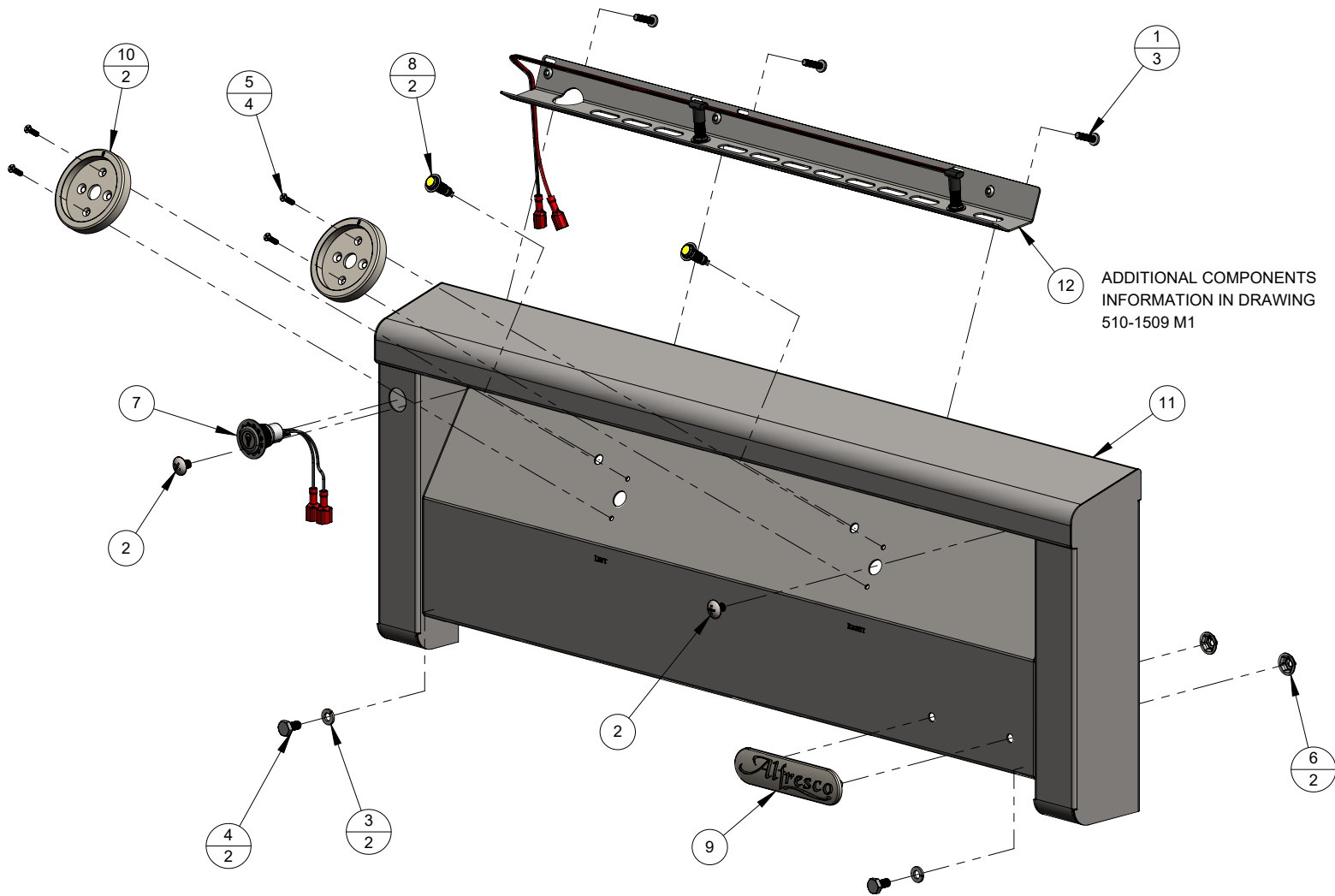
BILL OF MATERIAL			
NO.	PART #	DESCRIPTION	QTY
1	200-0087	WASHER, 1/4" - SPRING LOCK - SS	3
2	200-0242	BOLT 1/4-20 UNC x 3/4 - HEX HEAD - SS	3
3	200-0111	SCREW 8-18 X 1/2 - SELF TAP - 410 SS	4
4	200-0206	8-32 KEP NUT 18-8 STAINLESS	4
5	200-0274	ELBOW 90° - CAST IRON - 1/2" FPT x 1/2" MPT	1
6	210-0692	HOT SURFACE IGNITER - SPIRAL ELEMENT	2
7	220-0275	NIPPLE - 1/2" MPT X 3/8" OD FL	1
8	220-0280	REGULATOR GAS - MAXITROL RV48CL440002	1
9	220-0478	GAS LINE - FLEX - SS - 5/16"Ø x 8"	2
10	220-0483	SAFETY GAS VALVE	2
11	220-0485	REDUCER 9/16-24 UNEF x 5/16" COMPRESSION - BRASS	2
12	220-0531	GAS MANIFOLD	1
13	220-0532	COUPLING 5/16" Ø COMP X 1/8-27 NPTS	2
14	510-1502	BURNER ASSEMBLY	2
15	SEE NOTE	GAS ORIFICE	2

BURNER ORIFICES	
NG	220-0436
LP	220-0472

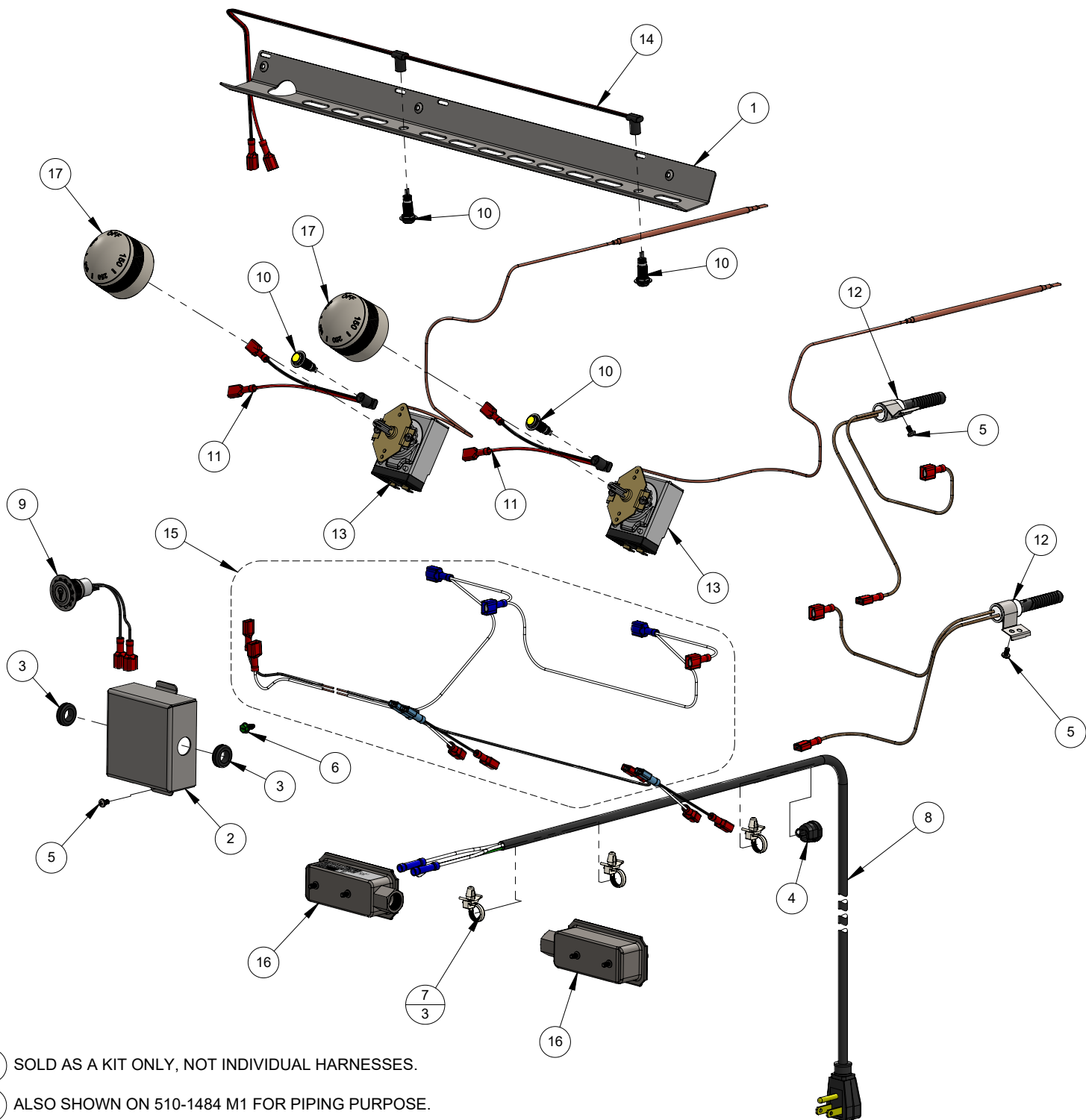


BILL OF MATERIAL

NO.	PART #	DESCRIPTION	QTY
1	200-0062	SCREW 10-32 X 3/4 - PAN HEAD - PHILLIPS	3
2	200-0086	SCREW 1/4-20 X 3/8: - TRUSS HEAD PHILIPS	2
3	200-0087	WASHER, 1/4" - SPRING LOCK - SS	2
4	200-0089	BOLT - HEX HEAD 1/4-20 x 1/2" L	2
5	200-0098	SCREW 6-32 X 1/2" - FLAT HEAD 82° - PHILIPS	4
6	200-0125	NUT THREAD CUTTER FOR 1/4" Ø STUD -SPEED NUT	2
7	210-0584	SWITCH - LIGHT - LATCHING [ON/OFF]	1
8	210-0661	AMBER LED LIGHT - Ø 8 mm - WITH PINS	2
9	290-0377	ALFRESCO RANGE LOGO	1
10	290-0388	ALFRESCO RANGE KNOB - BEZEL RING	2
11	510-1487	FRONT PANEL WELDED / RIVETED PARTS	1
12	510-1489	LIGHT ASSEMBLY	1



BILL OF MATERIAL			
NO.	PART #	DESCRIPTION	QTY
1	170-0040	LIGHT BRACKET	1
2	170-0062	ELECTRICAL J-BOX	1
3	200-0004	GROMMET 9/16" OD, 1/16" MAT'L, 7/16" ID	2
4	200-0009	STRESS RELIEF BUSHING	1
5	200-0199	SCREW 6-32 x 1/4 - PAN HEAD CROSS - SS	3
6	200-0320	SCREW 8-32 x 3/8 - GROUNDING SCREW	1
7	210-0258	CABLE TIE - T&B L-5-50PM-9	3
8	210-0499	CABLE 115/120V 10A 18/3 SJTOW - 96" - 90° PLUG NEMA 5-15	1
9	210-0584	SWITCH - LIGHT - LATCHING [ON/OFF]	1
10	210-0661	AMBER LED LIGHT - Ø 8 mm - WITH PINS	4
11	210-0676	PANEL LIGHT HARNESS	2
12	210-0692	HOT SURFACE IGNITER - SPIRAL ELEMENT	2
13	210-0782	GRIDDLE THERMOSTAT	2
14	210-0816	PANEL LIGHT HARNESS	1
15	210-0822	ELECTRICAL WIRING KIT	1
16	220-0483	SAFETY GAS VALVE	2
17	290-0647	AFRESCO GRIDDLE KNOB ASSEMBLY	2



NOTES:

- ITEM (15) SOLD AS A KIT ONLY, NOT INDIVIDUAL HARNESSSES.
- ITEM (16) ALSO SHOWN ON 510-1484 M1 FOR PIPING PURPOSE.