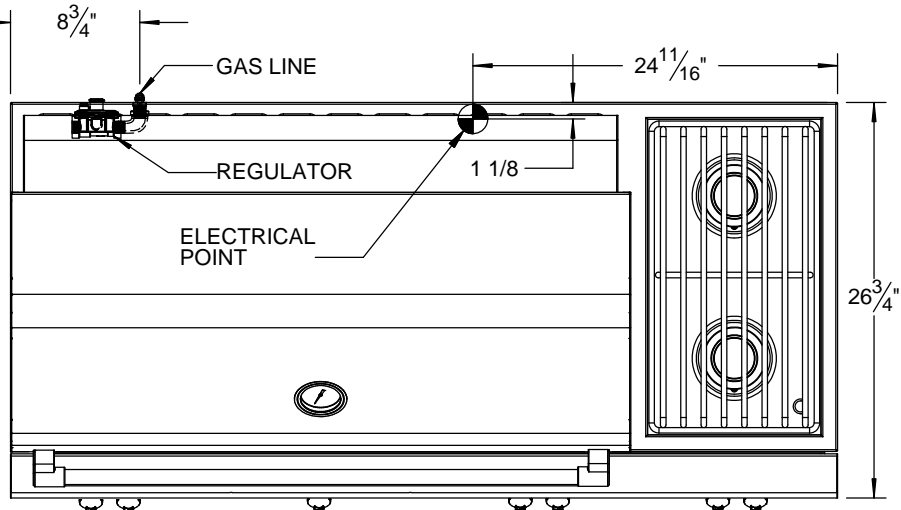
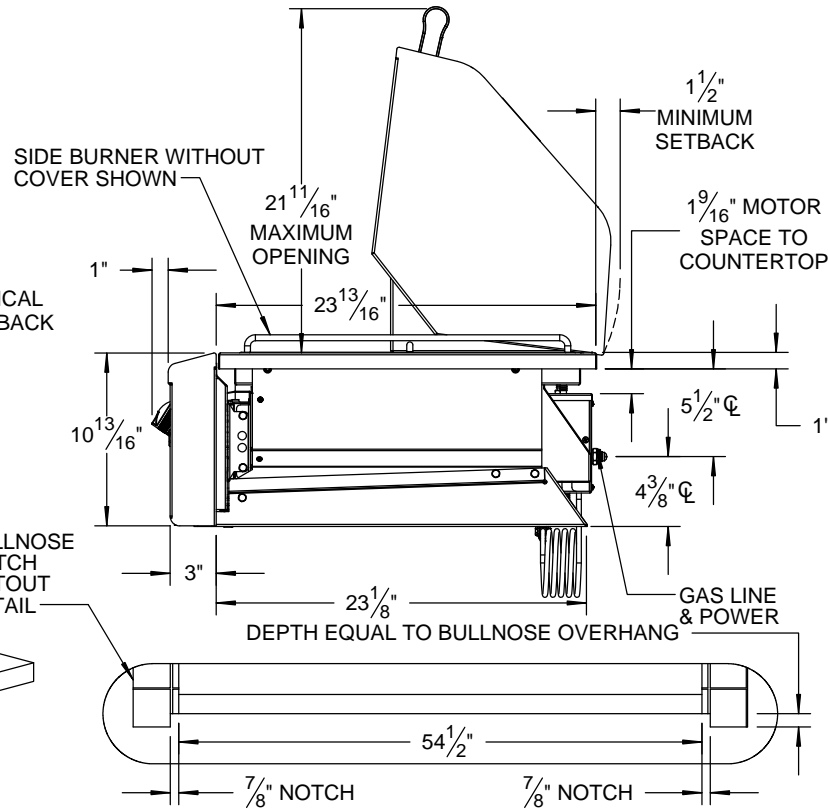
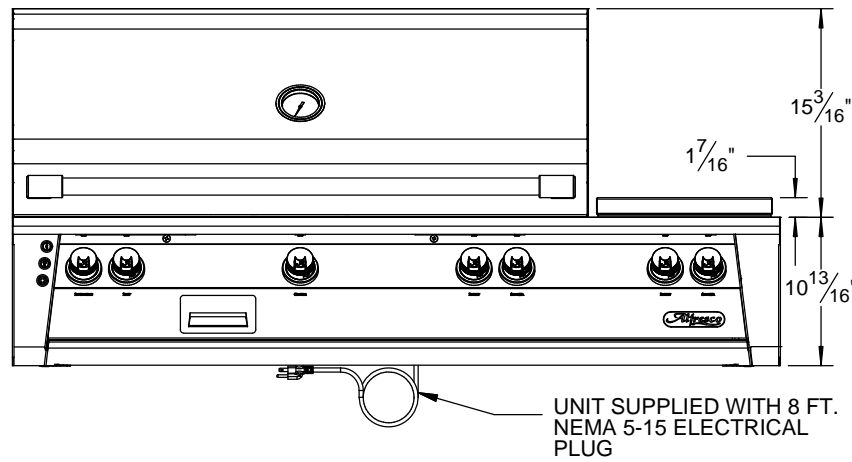
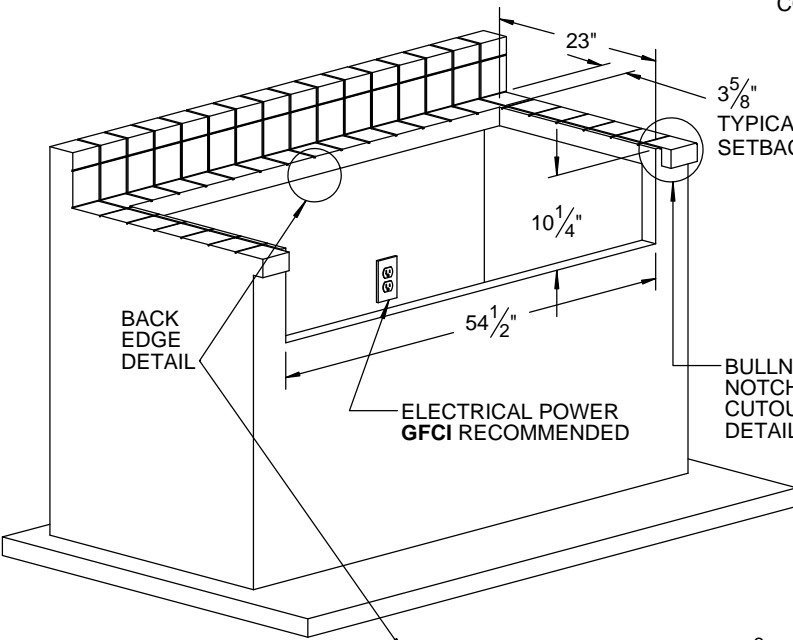
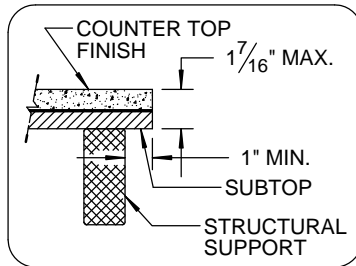


TYPICAL ALXE-56 / 56SZ INSTALLATION

COUNTERTOP CUTOUT REQUIREMENTS



SHOWN WITHOUT SIDE BURNER COVER



NOTE:

• CUTOUT SHOWN FOR NON-COMBUSTIBLE CONSTRUCTION ONLY. OTHERWISE USE OF AIJ-56 INSULATING JACKET IS REQUIRED.

• COUNTER MUST HAVE PROPER GAS AND POWER SUPPLIES FOR YOUR ALFRESCO BBQ.

SPECIFICATIONS:

BTUH = 148,000
 FUEL = NG @ 5" W.C. OR LP @ 10" W.C.
 ELECTRICAL POWER = 115 VAC / 1.44 A / 60 Hz.
 GAS CONNECTION = 1/2" NPT (NG) OR 3/8" ODF (LP)