

Alfresco™

Open Air Culinary Systems

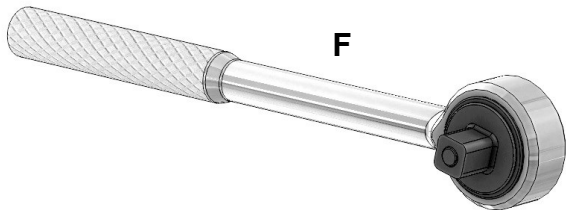
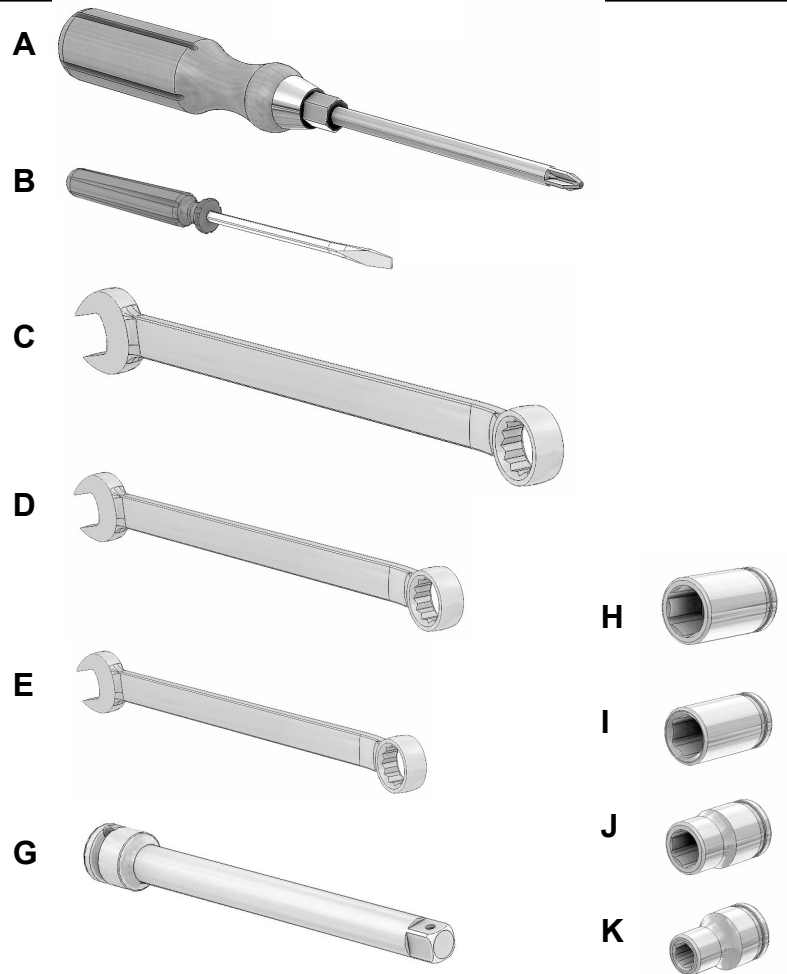


GRILL GAS SUPPLY CONVERSION KITS

For All Alfresco ALXE Grill Models

TOOLS REQUIRED TO INSTALL THIS KIT:

ITEM	DESCRIPTION:
A	SCREWDRIVER - PHILIPS SIZE # 2
B	SCREWDRIVER - FLAT 1/8" WIDE TIP
C	7/8 in WRENCH - OPEN TYPE
D	9/16 in WRENCH - OPEN TYPE
E	1/2 in WRENCH - OPEN TYPE
F	RATCHETING SOCKET WRENCH
G	SOCKET EXTENSION DRIVER - 3 in.
H	1/2 in SOCKET
I	7/16 in SOCKET
J	10 mm SOCKET
K	7 mm SOCKET



REPLACEMENT PROCEDURE:

ROTISSERIE ORIFICE:

STEP 1:

Remove all Grills, Warming Racks, Briquette Trays and Grill Burners from the grill's firebox.

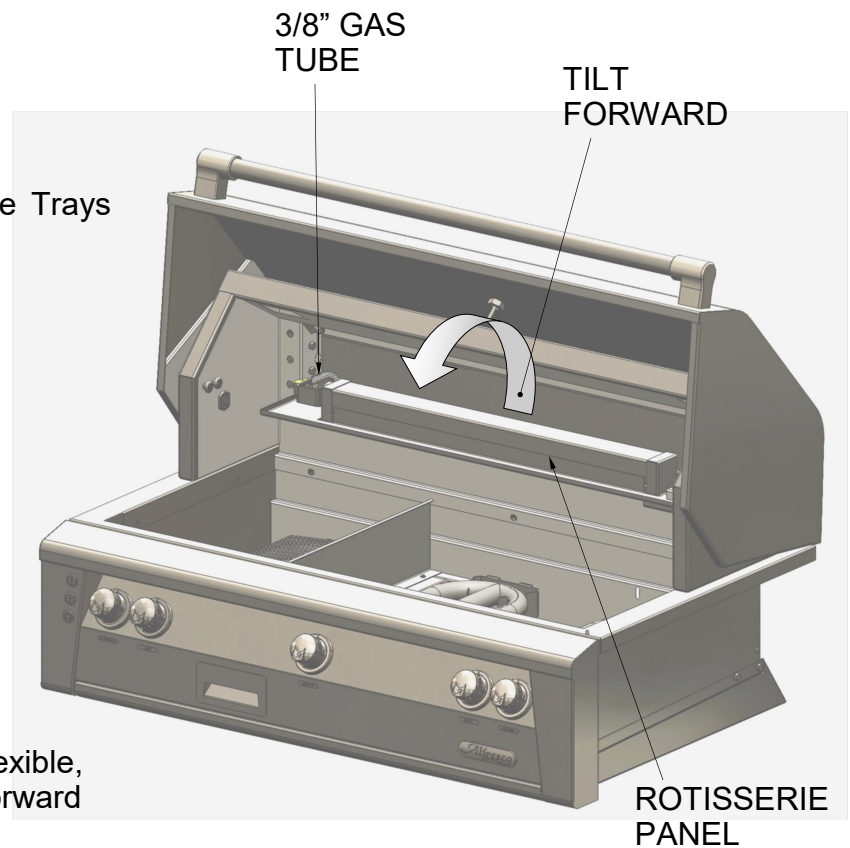
STEP 2:

Detach the Rotisserie Panel by removing the holding screws located at each top corner of the panel. (Note: ALXE-56 BFG units have two separate panels - remove screws from both panels)

STEP 3:

To access the burner's orifice behind the panel, "tilt" the panel forward. The panel can be supported by the bottom tabs, as you tilt the panel. (See figure at right - ALXE-42 shown).

IMPORTANT: The Rotisserie Burner has a flexible, stainless steel, 3/8" gas tube. Flex the tube forward slowly towards you. (It's quite strong).



STEP 4:

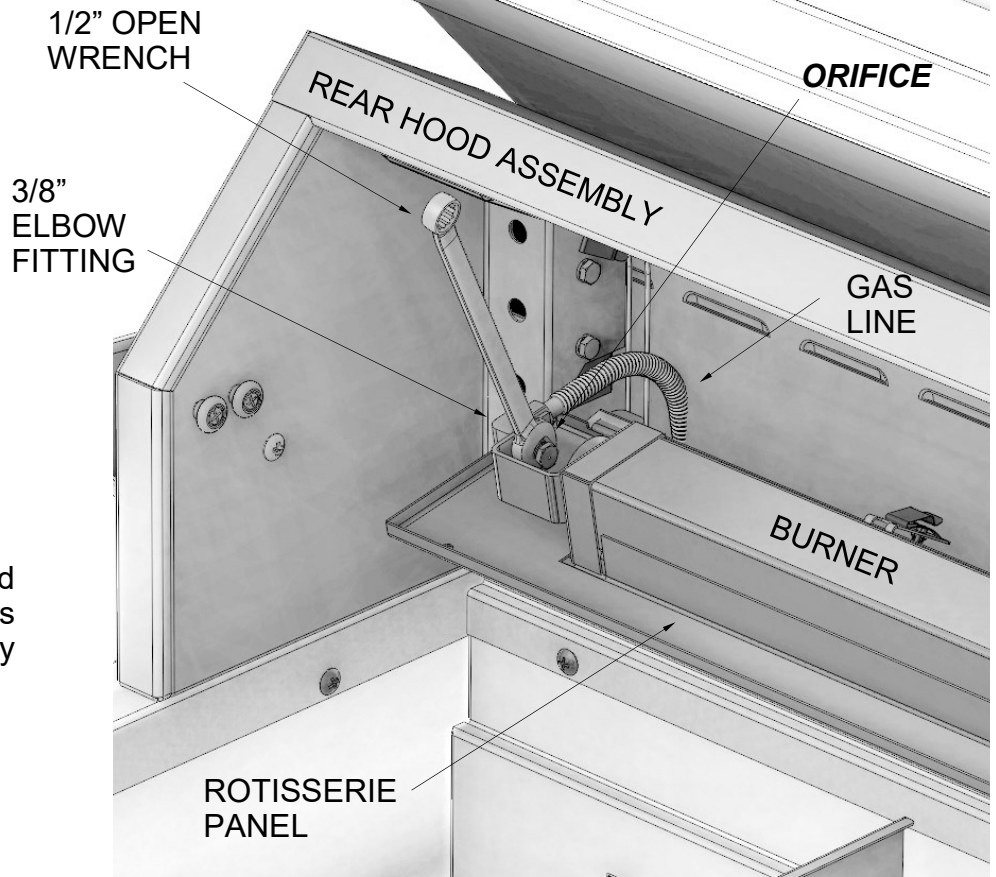
Remove the Rotisserie orifice with a 1/2" open wrench from the 3/8" compression elbow fitting. Install the replacement orifice for the proper fuel you are replacing.

(See orifice kits at the end of this booklet).

Tighten the orifice to ensure no leaks will occur.

IMPORTANT:

Verify that the igniter cable, located opposite to the orifice assembly, is properly secured before reassembly of the panel.



STEP 5:

Reassemble the Rotisserie Panel by reversing the procedure. Tilt the panel backwards, and insert the top back into the rear hood assembly. Fasten the top 2 screws at each end to secure the panel in place.

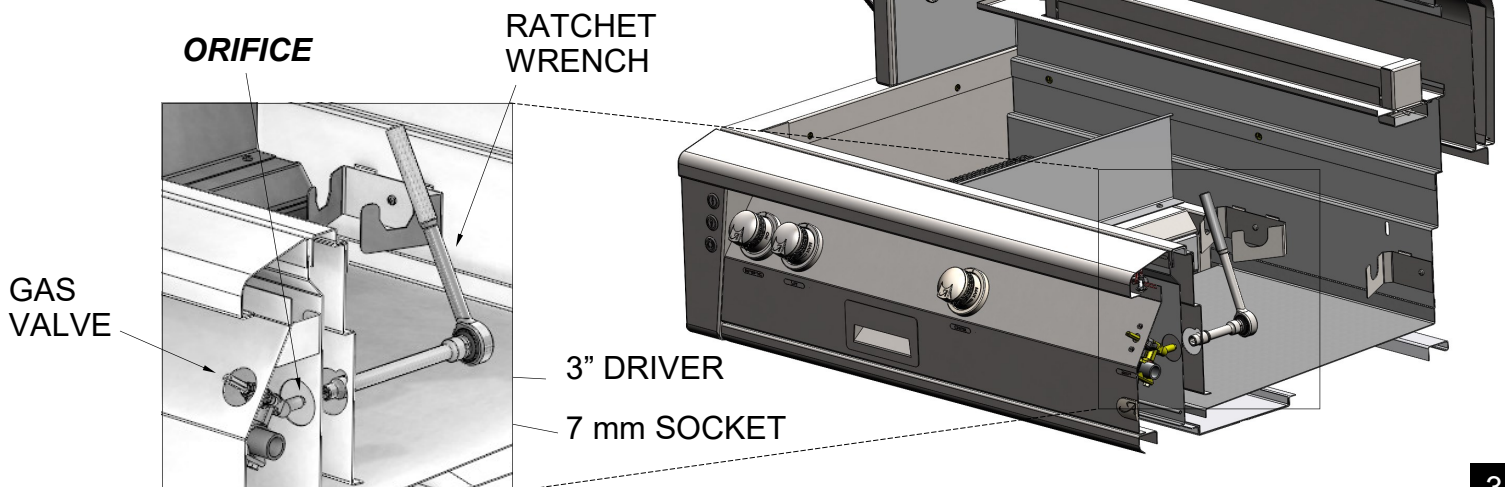
GRILL BURNER ORIFICES:

STEP 6:

Remove the gas Knobs from all the valves.

STEP 7:

Replace each of the U-Burner orifices for the proper fuel you'll be using on the valve stems. Use a 7 mm socket, socket driver and ratchet wrench as shown at right and below.



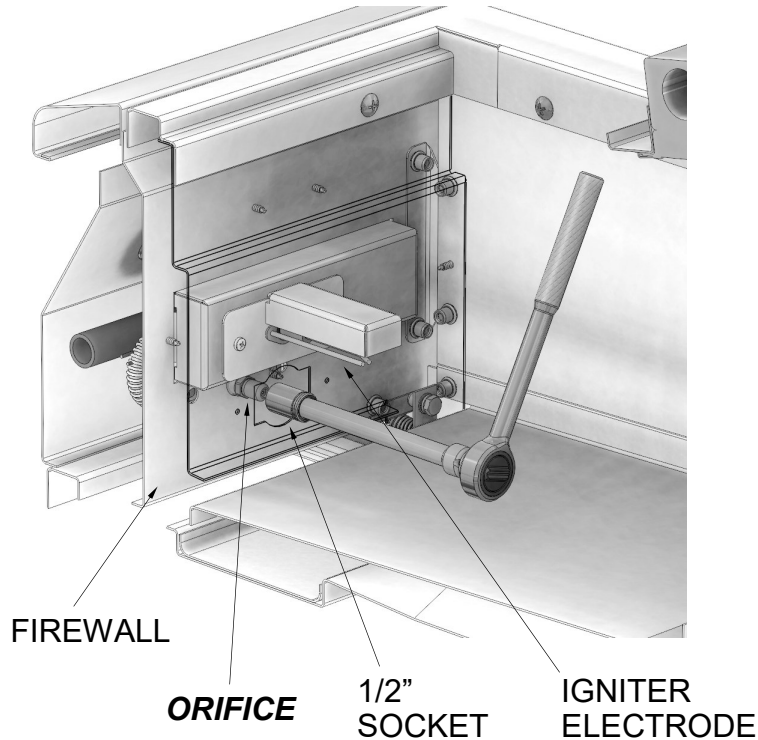
GRILL BURNER ORIFICES (SEARZONE™) :

STEP 7:

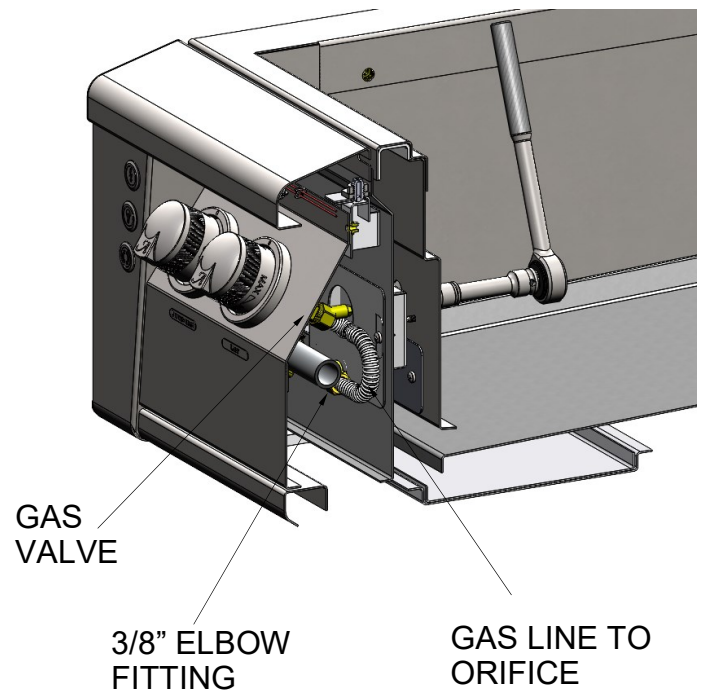
If your grill has a SearZone™ burner, use a ratcheting wrench, a 3" driver extender and a 1/2" socket, remove the orifice from the inside of the grill. The SearZone™ orifice is located just below the burner's igniter electrode. The orifice is attached to a 3/8" elbow fitting directly in the firewall (between the front panel and the firebox). It is not attached to the gas valve as the U-Burners. (Refer to the images below as a reference).

DO NOT OVER TIGHTEN !

BACK VIEW



SIDE VIEW



SMOKER ORIFICE:

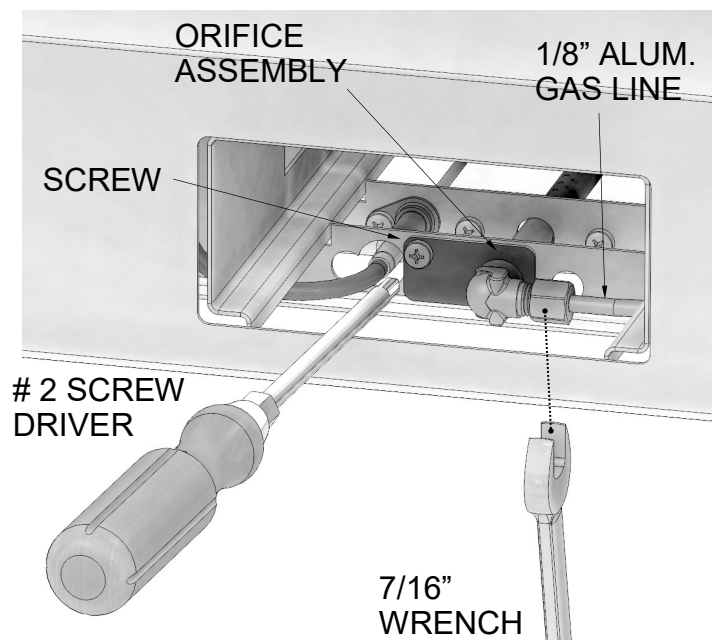
STEP 8:

Remove the Smoker Tray and Grease Tray Assemblies out of the grill's body.

STEP 9:

Using a 7/16" open wrench, loosen the compression fitting from the 1/8" aluminum smoker gas line. The smoker orifice assembly is attached to the firewall with one screw, remove it.

NOTE: The aluminum gas line is very soft. Carefully, bend the gas line forward and remove the orifice assembly. If the gas line is NOT free after loosening the nut, continue to un-screw the nut until the assembly is free to be removed. The nut along with the compression ferrule will remain with the pipe.



(Smoker Orifice cont.)

STEP 10:

With the smoker orifice assembly removed, remove the orifice using a 9/16" wrench (for the elbow's body) and a 7/16" for the orifice itself. Replace with the proper fuel you'll be using.

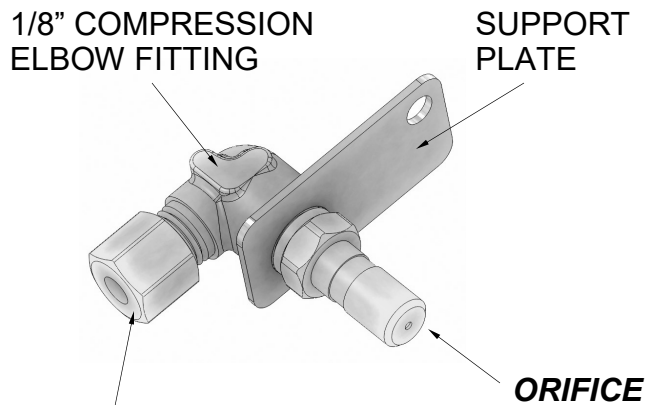
(Refer to the assembly at right as a guide)

STEP 11:

Reinstall the orifice assembly into the grill by following these last 2 steps in reverse.

DO NOT over tighten the compression fitting to the 1/8" aluminum gas line.

SMOKER ORIFICE ASSEMBLY



NOTE:
COMPRESSION FITTING MIGHT REMAIN WITH 1/8" ALUMINUM GAS LINE

**SIDE BURNERS:
(ALXE-56 MODEL ONLY)**

STEP 12:

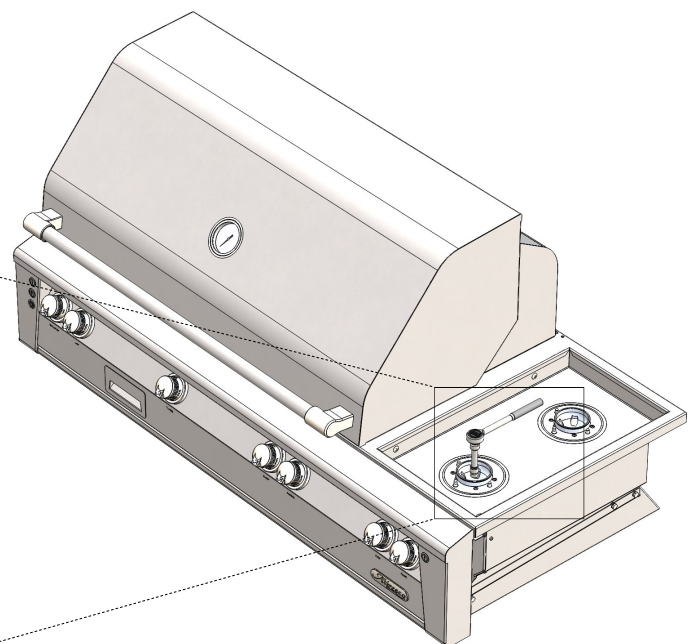
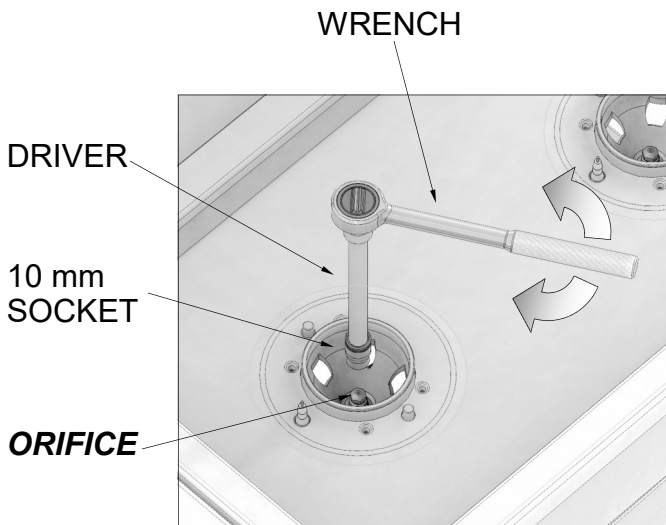
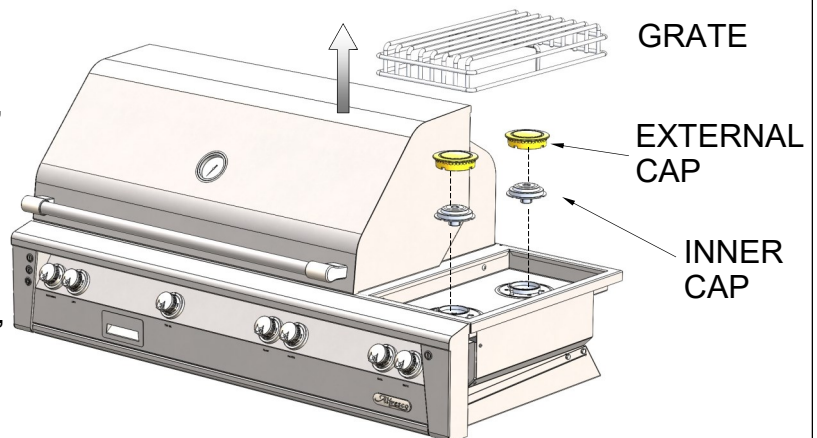
Remove the side burners' cover, cooking grate, burner exterior and inner cap.

STEP 13:

Looking directly over the burner, locate and remove the orifice from the bottom of the cone-shaped burner body. Use a 10 mm socket, driver extension and ratchet wrench for this procedure.

STEP 14:

Replace the orifice with one for the proper fuel to be used. **DO NOT OVER TIGHTEN!**

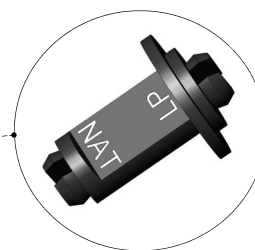
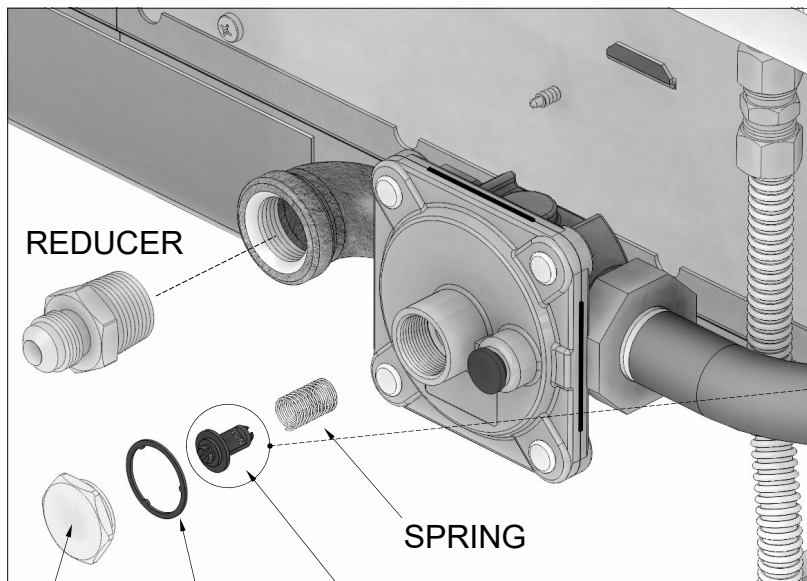
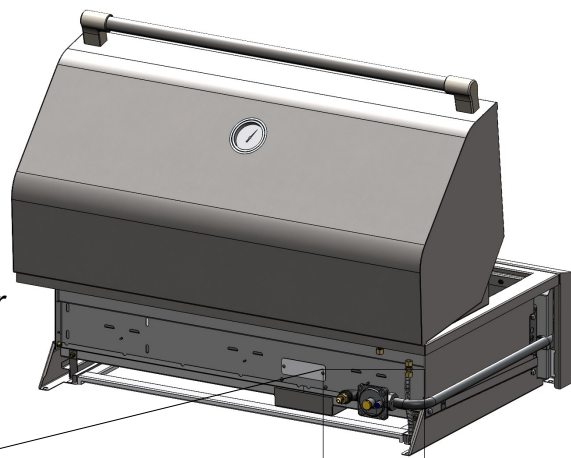


GAS PRESSURE REGULATOR CONVERSION:

STEP 15:

The ALXE grill is equipped with a Maxitrol™ pressure regulator that is suitable for LP or NG fuel regulation. To convert the regulator to proper fuel, remove the brass cap located in its center.

CAUTION: There are several components in this regulator assembly. Be careful with the gas sealing washer, the plunger and plunger's spring located inside the regulator.



PLUNGER DETAIL:

The plunger LP side has a WIDE disk on the end. The NG (NAT) side does not. The side pointing to the body of the regulator determines the fuel to be used in the grill.

STEP 16:

Locate the black plastic plunger inside the brass cap. *The plunger provides the right pressure setting at the regulator outlet by changing the spring pressure.*

Pull (pop-out) the plunger out of the brass cap, reverse its direction and re-insert into the cap with the proper fuel desired pointing TOWARDS the regulator spring and body.

Reattach the brass cap into the regulator body and tighten securely with the gasket.

STEP 17:

If the unit is being converted from NG to LP, the LP kit will include a 1/2" NPT X 3/8" ODF reducer (hose adapter) that needs to be installed on the gas inlet elbow attached to the regulator. Install with reducer with a gas approved plumbing seal Teflon® paste or gas approved yellow Teflon® tape.

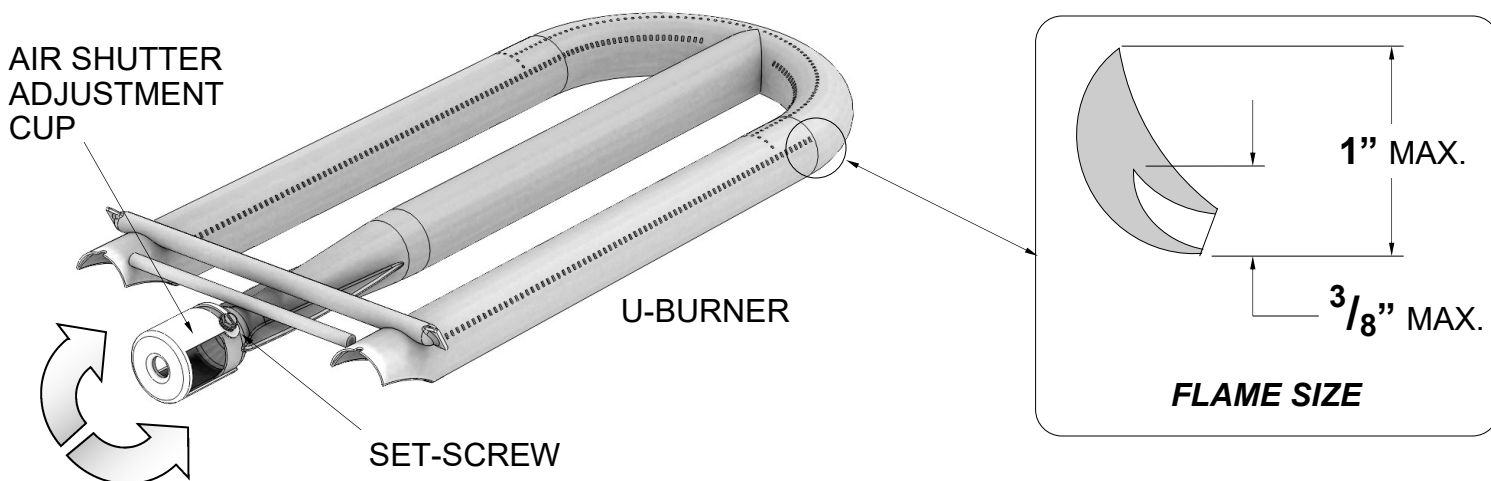
NOTE: The conversion is now complete. Pressurize the gas line with the correct fuel for the application and check for leaks before lighting up the grill. Before using the grill, all the grill's surface burners will need to be adjusted for proper combustion and low flame settings. Refer to the following steps for adjustment.

AIR SHUTTER ADJUSTMENT:

Adjust the "AIR SHUTTER" to regulate the amount of air that enters into the burner for combustion. Loosen the set-screw of the air shutter. Reinstall the burner. Make certain that the burners are sitting properly on the orifices.

Light the burners and adjust according to the following directions:

1. Turn the valve on "HI", light the burner and allow it to "WARM UP" for 10 minutes.
2. If the flame is yellow, indicating **insufficient** air, turn the air shutter to allow more air to the burner.
3. If the flame is noisy and tends to lift away from the burner, indicating **too much** air, turn the air shutter to reduce the amount of air to the burner.



LOW HEAT SETTING ADJUSTMENT:

NOTE:

ADJUST THE LOW HEAT SETTING WHEN CHANGING FUELS OR WHEN ALTITUDE OR OTHER ENVIRONMENTAL FACTORS ARE CAUSING POOR, LOW HEAT, PERFORMANCE.

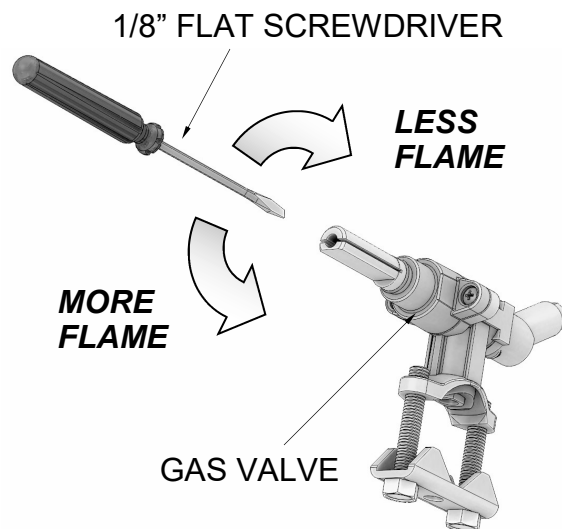
ADJUSTMENT STEPS:

1. Follow lighting instructions by setting the control knob on "HI" and allow the burner to preheat for 10 minutes.
2. Turn the control knob to "LOW" and wait for the burner temperature to drop and stabilize.
3. **Attempting adjustment at any setting other than LOW can create a dangerous condition.**
4. Remove knob by pulling straight away from control panel.
5. Insert a small blade (1/8" wide) screwdriver into the valve stem to begin the adjustment.
6. Turn counter-clockwise to INCREASE the low heat flame, or clockwise to DECREASE the flame height. (see figure at right).

WARNING

NEVER ADJUST THE BURNER SO LOW THAT IT MAY GO OUT DURING USE. DO NOT OPERATE THE GRILL WITH THE LOW HEAT SCREW REMOVED.

GAS CAN ESCAPE AND CAUSE A POTENTIALLY HAZARDOUS CONDITION.



Adjust the flames so the burner is fully lit around the perimeter when the knob is in the LOW position. Do not adjust the burner flame so low that it may go out during use. Once proper adjustment is reached, reattach the knob by pushing onto stem.

Your *Alfresco*™ Gourmet Grill is now ready for use with the new fuel.

ALXE GAS CONVERSION KIT NUMBERS		
GRILL SIZE:	NG TO LP	LP TO NG
ALXE-30 (30SZ)	190-0048	190-0049
ALXE-36 (36SZ)	190-0057	190-0058
ALXE-42 / 56 (42SZ / 56SZ)	190-0050	190-0051
ALXE-56 BFG	190-0052	190-0053