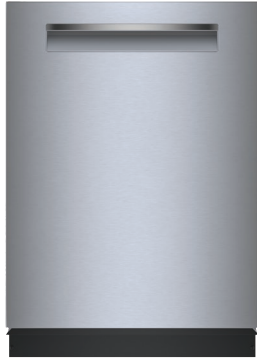


24" Pocket Handle Dishwasher



500 Series – Stainless Steel SHP95CM5N



SHP95CM5N
Stainless Steel

The quietest dishwasher in its class.*

Features & Benefits

So quiet at 38 dBA, InfoLight® shines on the floor so you know the dishwasher is running.

The 3rd rack provides the perfect space for silverware and large utensils while its V shape leaves room below for taller items.

Enhance your cleaning experience with Wi-Fi enabled Home Connect®. Access additional wash cycles and options or choose the right one for your needs using Smart Cycle.

The Favorite button allows you to easily access your preferred cycle/option combination with 1 touch.

General Properties	
Wash cycles (control panel)	5 (Heavy, Auto, Normal, Speed60 (1hr Wash), Favorite)
Additional wash cycles (in Home Connect®)	3 (Delicate, Rinse, MachineCare)
Options (control panel)	3 (Sanitize, Remote Start, ExtraDry)
Additional options (in Home Connect®)	2 (Half Load, Eco)
dBA	38
Wash system	PrecisionWash®
Drying system	PureDry®
Third rack	Standard 3rd Rack
Rack adjustability	Rackmatic®
Tub material	Stainless Steel
Concealed water heating element	Yes
Leak protection system	24/7 AquaStop®
Home Connect® (Wi-Fi enabled)	Yes
NSF®-certified** sanitize option	Yes
Water softener	No
Five-level wash	Yes
Child Lock button suspension	No
Anti-Fingerprint Finish	Yes
Special features	InfoLight®
Efficiency	
Water usage per cycle	3.5 gal
ENERGY STAR® Certified	No
Total annual energy consumption	269 kWh

Capacity

Number of place settings 16

Technical Details

Watts 1440 W

Current 12 Amps

Volts 120 V

Frequency 60 Hz

Power cord full length 67"

Power cord install length from edge of unit when facing the door
Left – 45"
Right – 56"

Minimum water pressure 14 lb/sin

Length outlet hose 78 3/4"

Dimensions & Weight

Overall appliance dimensions (HxWxD) 33 7/8" x 23 9/16" x 23 3/4"

Required cutout size (HxWxD) 33 7/8" x 24" x 24"

Adjustable feet Yes

Net weight 92 lbs

Accessories—Optional

Junction Box SMZPCJB1UC

Junction Box & Supply Hose Kit SMZ3IN1UC

Bosch Dishwasher Water Supply Hose SMZSH1ABUC

Drain Hose Extension Kit SGZ1010UC

Edge Protector + Power Cord Clip Install Kit SMZEPCC1UC



*Based on TraQline top 5 brands dishwasher market share with MAP pricing \$499-\$1,249.

**Certification to NSF/ANSI Standard 184 for residential dishwashers.

Accessories: To purchase Bosch accessories, cleaners & parts please visit www.bosch-home.com/us/store or call 1-800-944-2904 (Mon to Fri 5 am to 6 pm PST, Sat 6 am to 3 pm PST).

Notes: All height, width and depth dimensions are shown in inches. BSH reserves the absolute and unrestricted right to change product materials and specifications, at any time, without notice. Consult the product's installation instructions for final dimensional data and other details prior to making cutout.

Warranties: Please see Use & Care manual or Bosch website for statement of limited warranty.

For more information on our entire line of products, go to www.bosch-home.com/us or call 1-800-944-2904

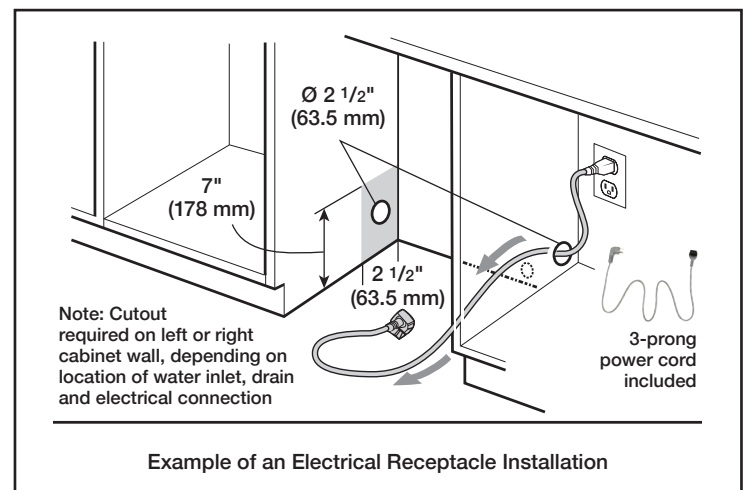
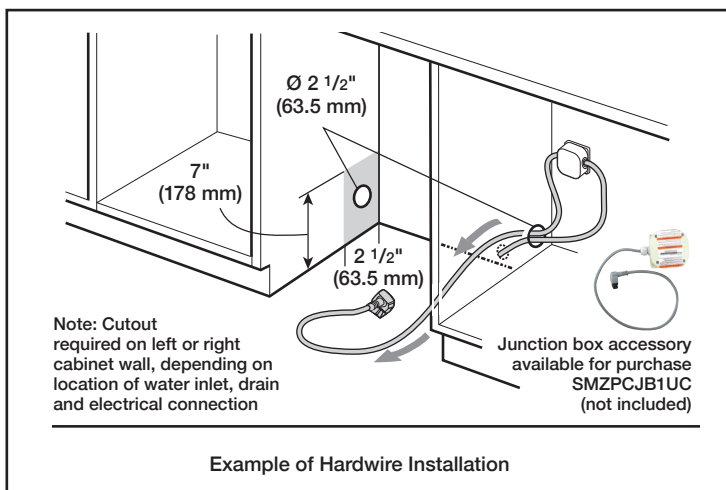
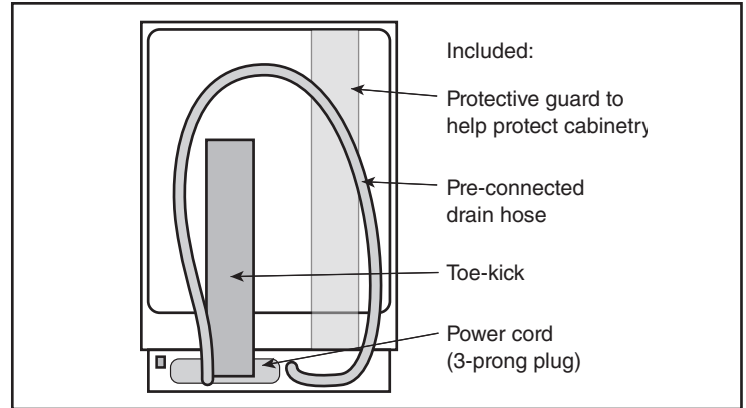
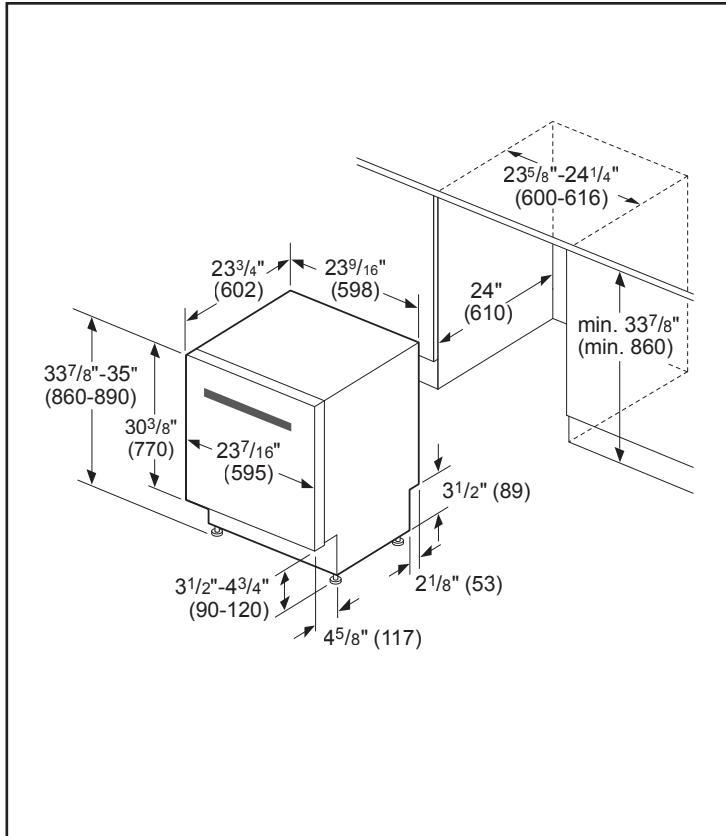
© BSH Home Appliances Corporation. All rights reserved. Bosch is a registered trademark of Robert Bosch GmbH.

24" Pocket Handle Dishwasher



500 Series – Stainless Steel SHP95CM5N

Installation Details



Accessories: To purchase Bosch accessories, cleaners & parts please visit www.bosch-home.com/us/store or call 1-800-944-2904 (Mon to Fri 5 am to 6 pm PST, Sat 6 am to 3 pm PST).

Notes: All height, width and depth dimensions are shown in inches. BSH reserves the absolute and unrestricted right to change product materials and specifications, at any time, without notice. Consult the product's installation instructions for final dimensional data and other details prior to making cutout.

Warranties: Please see Use & Care manual or Bosch website for statement of limited warranty.

For more information on our entire line of products, go to www.bosch-home.com/us or call 1-800-944-2904

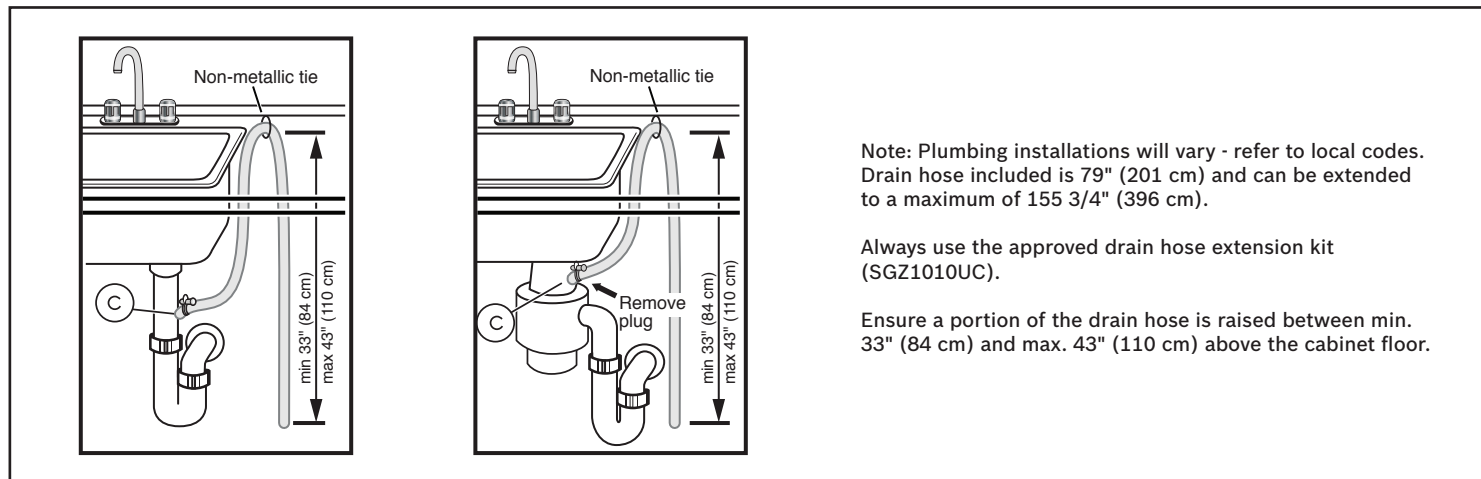
© BSH Home Appliances Corporation. All rights reserved. Bosch is a registered trademark of Robert Bosch GmbH.

24" Pocket Handle Dishwasher



500 Series – Stainless Steel SHP95CM5N

Installation Details



Accessories: To purchase Bosch accessories, cleaners & parts please visit www.bosch-home.com/us/store or call 1-800-944-2904 (Mon to Fri 5 am to 6 pm PST, Sat 6 am to 3 pm PST).

Notes: All height, width and depth dimensions are shown in inches. BSH reserves the absolute and unrestricted right to change product materials and specifications, at any time, without notice. Consult the product's installation instructions for final dimensional data and other details prior to making cutout.

Warranties: Please see Use & Care manual or Bosch website for statement of limited warranty.

For more information on our entire line of products, go to www.bosch-home.com/us or call 1-800-944-2904

© BSH Home Appliances Corporation. All rights reserved. Bosch is a registered trademark of Robert Bosch GmbH.